

LEGEND:

- J125 LINE: - - - - -
- J125 STR: 60

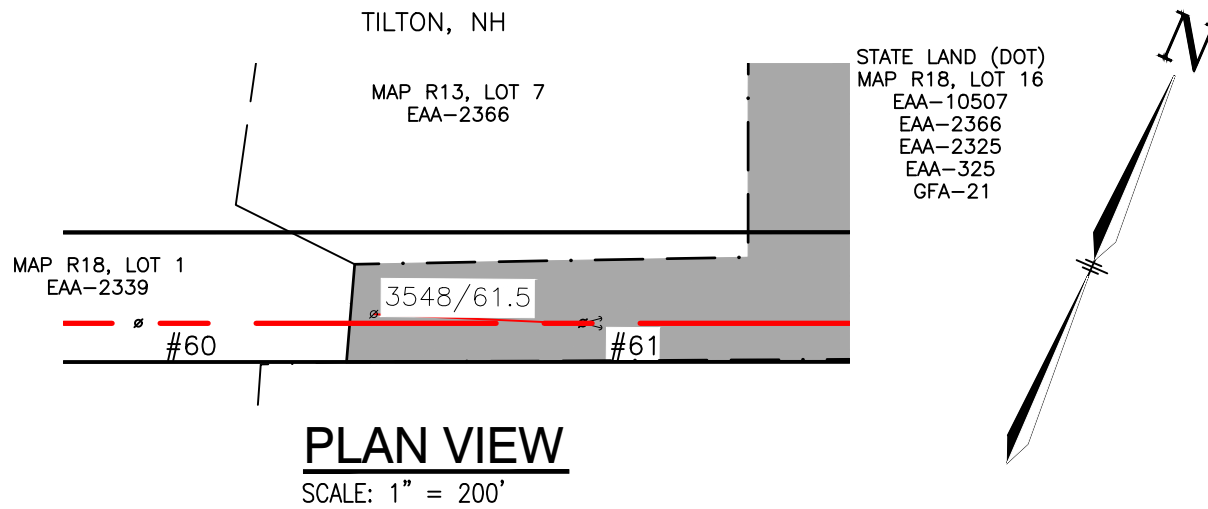
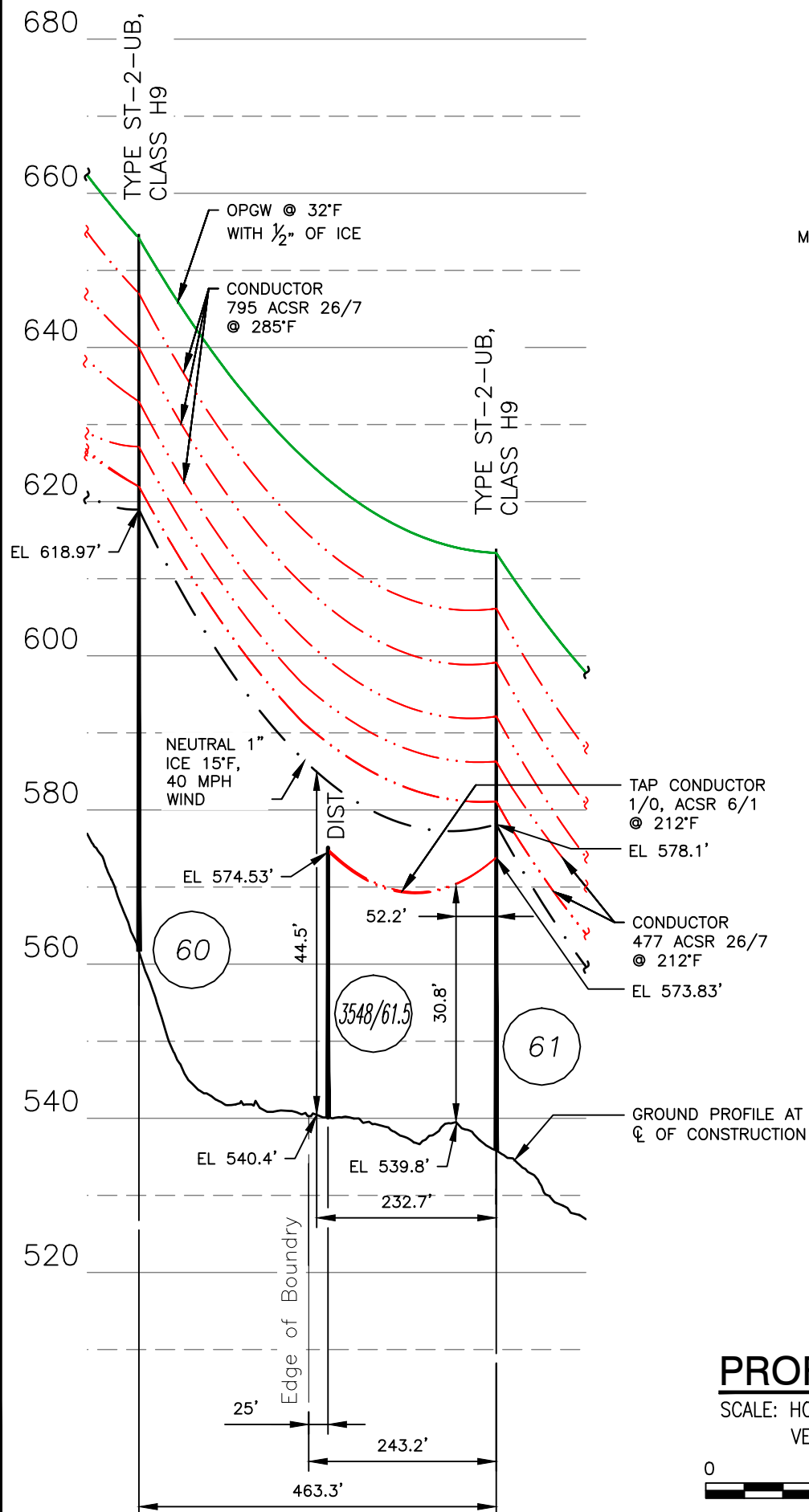


T	2
DRAWN NEB	
ENGINEER CRP	
CHECKED JJD	
APPROVED CRP	
DATE 8/7/23	

3548 34.5kV, 337 34.5kV, J125 115kV LINES
 STATE OWNED LAND, PUBLIC WATER CROSSING
 TILTON, BELMONT, & LACONIA NEW HAMPSHIRE
 EXHIBIT 1

DWG REV	EPN/DESCRIPTION	CONT/PE#	DATE	DRN	CHKD	APPR
6	CABLE SCHEDULE CHANGED FOR DOE, NEUTRAL, TENSION WAS 3800, ICE 5, WIND 4		01/20/25	GBS	APS	MCR
5	UPDATED NEUTRAL WIRE SAG CURVE		01/16/25	GBS	APS	MRC
4	UPDATED AND ISSUED FOR DOE		01/09/25	GBS	APS	MRC
3	UPDATED AND ISSUED FOR DOE		01/03/25	GBS	APS	MRC
2	UPDATED AND ISSUED FOR DOE		12/17/24	GBS	APS	MRC
1	ISSUED FOR DOE		11/22/24	NEB	JJD	CRP

SCALE 1" = 2500'	FILE: 04040-81001.DWG IMAGE:	DRAWING NO. 04040-81001
---------------------	---------------------------------	----------------------------

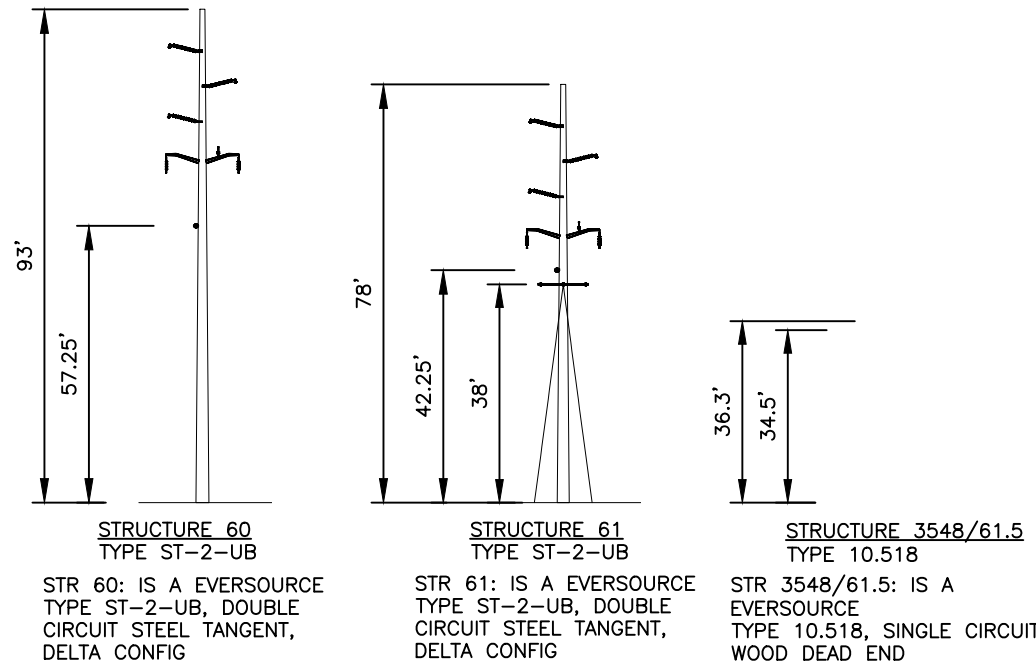


LEGEND:

- #60 STRUCTURE
- J125 LINE 115KV LINE, CL OF CONSTRUCTION
- LINE CL DIST
- LIMITS OF EVERSOURCE RIGHT OF WAY
- PROPERTY LINE
- STATE OF NEW HAMPSHIRE PROPERTY

STRUCTURE LOCATION		
STRUCTURE	LONGITUDE	LATITUDE
60	-71.58212219	43.46016735
61	-71.58051976	43.46067061
3548/61.5	-71.58128926	43.46045882

NESC VERTICAL CLEARANCE (FT) FROM TABLE 232.1			
NATURE OF SURFACE UNDERNEATH WIRES, CONDUCTORS OR CABLES	115kV	34.5kV	NEUTRAL
OTHER AREAS TRAVERSED BY VEHICLES SUCH AS CULTIVED, GRAZING, FOREST AND ORCHARD LANDS, INDUSTRIAL SITES, COMMERCIAL SITES, ECT.	20.1	18.5	15.5



CABLE SCHEDULE						
WIRE	QTY OF CABLES	DESCRIPTION	DESIGN CONDITIONS			
			MAX DESIGN TENSION (lb)	TEMP (°F)	ICE (in)	WIND (psf)
CONDUCTOR	3	ACSR, 795 kcmil 26/7, DRAKE	9000	0	0.5	4
CONDUCTOR	3	ACSR, 477 kcmil 26/7, HAWK	6700	0	0.5	4
TAP CONDUCTOR	3	ACSR, 1/0, 6/1, RAVEN	6700	0	0.5	4
OPGW	1	12F Ø0.571" BRUGG 79AY46ACS-1C	4300	0	0.5	4
NEUTRAL	1	ACSR, 4/0 6/1, PENGUIN	4800	15	1	40

- NOTES:**
1. PARCEL INFORMATION PROVIDED BY NH GRANIT.
 2. ELEVATIONS REFERENCED TO THE NORTH AMERICAN VERTICAL DATUM OF 1988.
 3. STRUCTURE NUMBERS ARE THE SAME FOR BOTH J125 AND 3548 LINES.

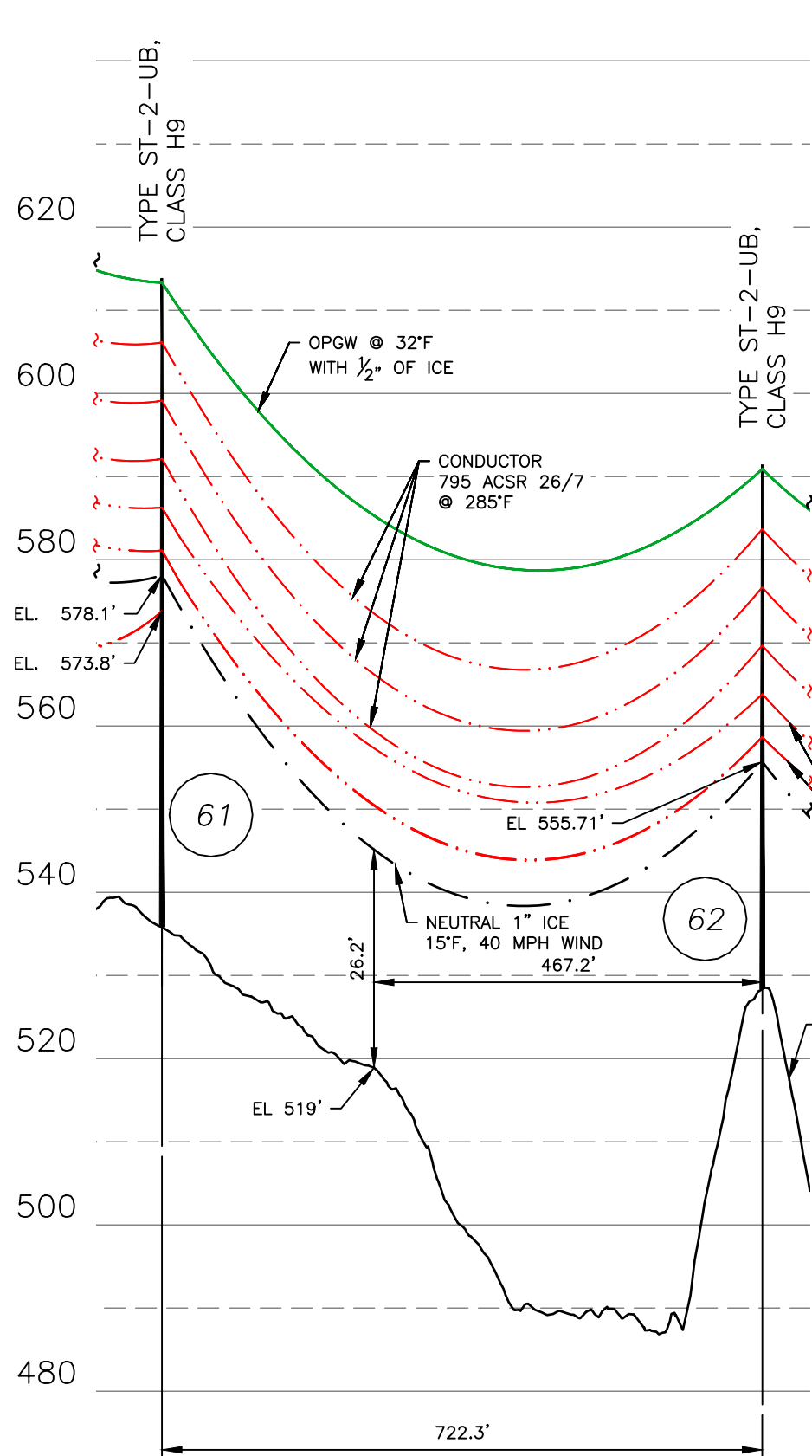
DWG REV	EPN/DESCRIPTION	CONT/PE#	DATE	DRN	CHKD	APPR
6	CABLE SCHEDULE CHANGED FOR DOE, NEUTRAL, TENSION WAS 3800, ICE .5, WIND 4		01/20/25	GBS	APS	MCR
5	UPDATED NEUTRAL WIRE SAG CURVE		01/16/25	GBS	APS	MRC
4	UPDATED AND ISSUED FOR DOE		01/09/25	GBS	APS	MRC
3	UPDATED AND ISSUED FOR DOE		01/03/25	GBS	APS	MRC
2	UPDATED AND ISSUED FOR DOE		12/17/24	GBS	APS	MRC
1	ISSUED FOR DOE		11/22/24	NEB	JJD	CRP

EVERSOURCE ENERGY

3548 34.5kV, J125 115kV LINES
STATE OWNED LAND CROSSING
TILTON, NEW HAMPSHIRE
EXHIBIT 2

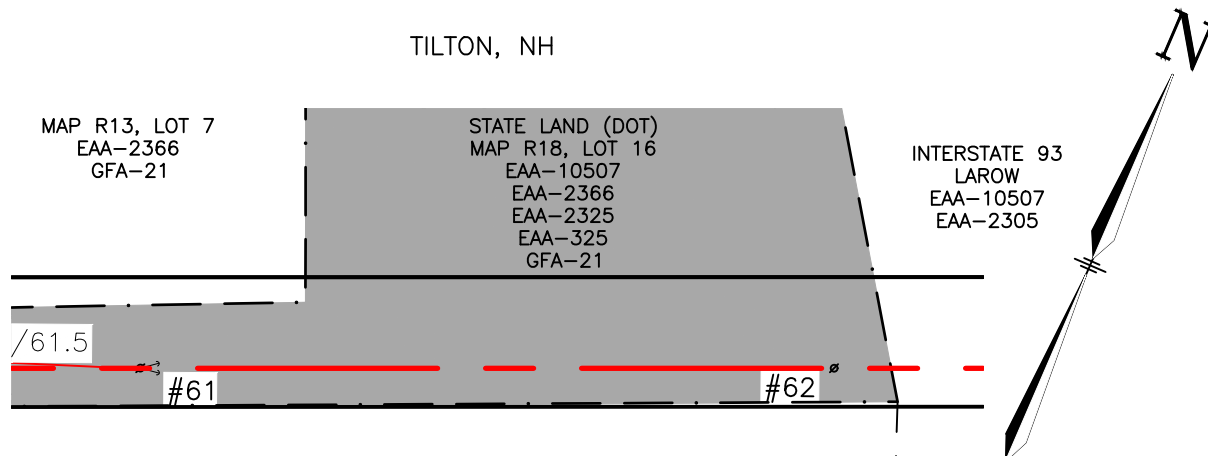
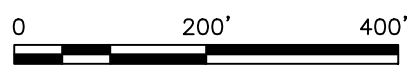
SCALE AS SHOWN FILE: 04040-81001.DWG DRAWING NO. 04040-81001

T 6
DRAWN NEB
ENGINEER CRP
CHECKED JJD
APPROVED CRP
DATE 8/7/23



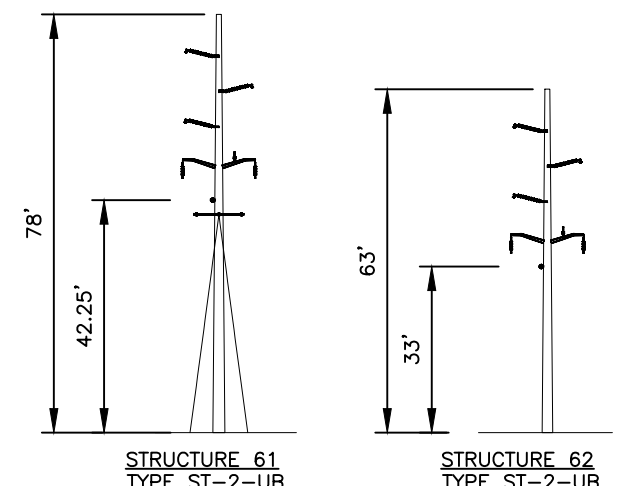
PROFILE VIEW

SCALE: HORZ 1" = 200'
VERT 1" = 20'



PLAN VIEW

SCALE: 1" = 200'



STR 61: IS A EVERSOURCE TYPE ST-2-UB, DOUBLE CIRCUIT STEEL TANGENT, DELTA CONFIG

STR 62: IS A EVERSOURCE TYPE ST-2-UB, DOUBLE CIRCUIT STEEL TANGENT, DELTA CONFIG

STRUCTURE DETAIL

SCALE: NTS

NOTES:

1. PARCEL INFORMATION PROVIDED BY NH GRANIT.
2. ELEVATIONS REFERENCED TO THE NORTH AMERICAN VERTICAL DATUM OF 1988.
3. STRUCTURE NUMBERS ARE THE SAME FOR BOTH J125 AND 3548 LINES.

DWG REV	EPN/DESCRIPTION	CONT/PE#	DATE	DRN	CHKD	APPR
6	CABLE SCHEDULE CHANGED FOR DOE, NEUTRAL, TENSION WAS 3800, ICE .5, WIND 4		01/21/24	GBS	APS	MCR
5	UPDATED NEUTRAL WIRE SAG CURVE		01/16/25	GBS	APS	MRC
4	UPDATED AND ISSUED FOR DOE		01/09/25	GBS	APS	MRC
3	UPDATED AND ISSUED FOR DOE		01/03/25	GBS	APS	MRC
2	UPDATED AND ISSUED FOR DOE		12/17/24	GBS	APS	MRC
1	ISSUED FOR DOE		11/22/24	NEB	JJD	CRP

LEGEND:

- #61 STRUCTURE
- J125 LINE 115KV LINE, Q OF CONSTRUCTION
- LIMITS OF EVERSOURCE RIGHT OF WAY
- PROPERTY LINE
- STATE OF NEW HAMPSHIRE PROPERTY

STRUCTURE LOCATION		
STRUCTURE	LONGITUDE	LATITUDE
61	-71.58051976	43.46067061
62	-71.57802164	43.46145510

NESC VERTICAL CLEARANCE (FT) FROM TABLE 232.1			
NATURE OF SURFACE UNDERNEATH WIRES, CONDUCTORS OR CABLES	115kV	34.5kV	NEUTRAL
OTHER AREAS TRAVERSED BY VEHICLES SUCH AS CULTIVED, GRAZING, FOREST AND ORCHARD LANDS, INDUSTRIAL SITES, COMMERCIAL SITES, ECT.	20.1	18.5	15.5

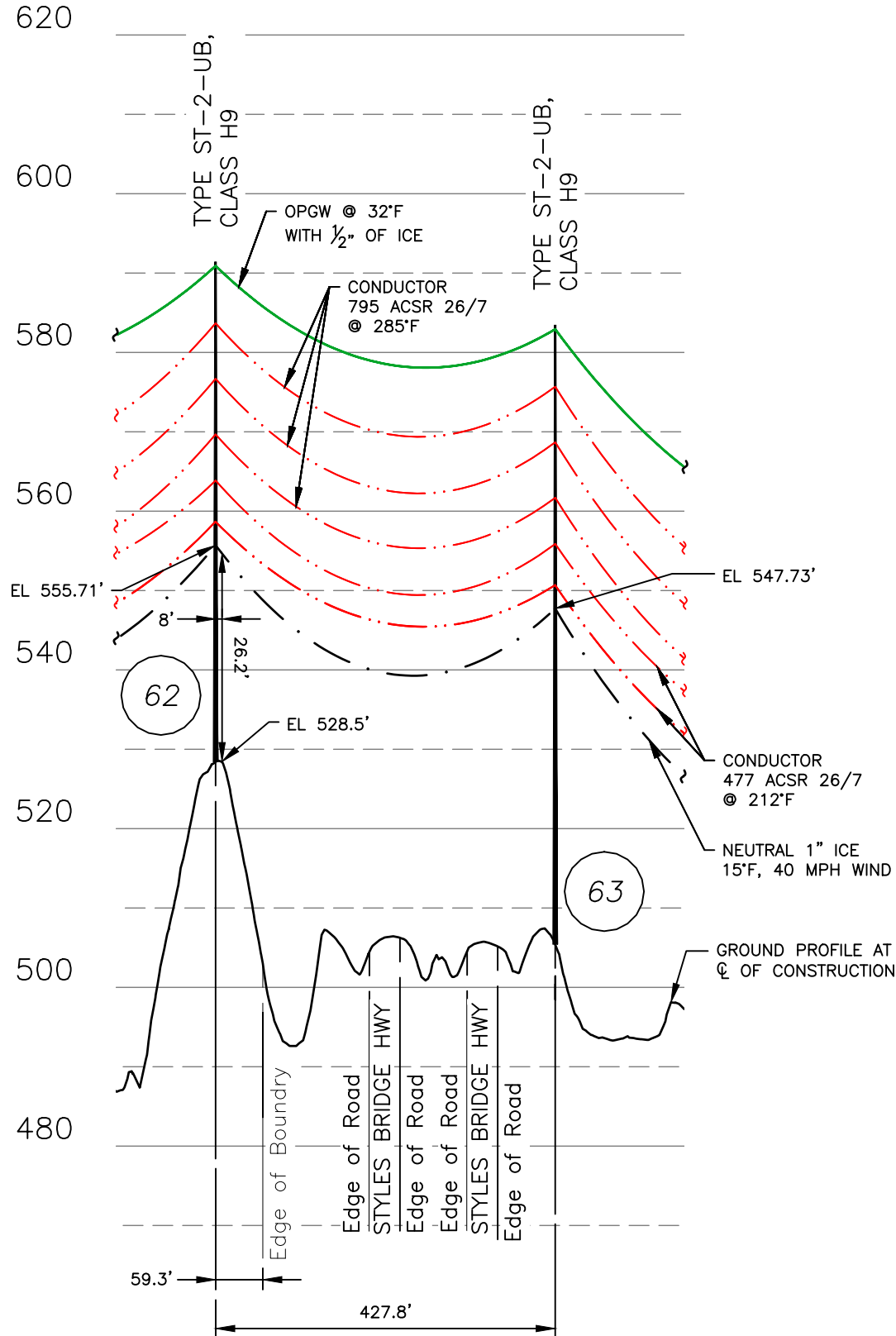
CABLE SCHEDULE						
WIRE	QTY OF CABLES	DESCRIPTION	DESIGN CONDITIONS			
			MAX DESIGN TENSION (lb)	TEMP (°F)	ICE (in)	WIND (psf)
CONDUCTOR	3	ACSR, 795 kcmil 26/7, DRAKE	9000	0	0.5	4
CONDUCTOR	3	ACSR, 477 kcmil 26/7, HAWK	6700	0	0.5	4
OPGW	1	12F Ø0.571" BRUGG 79AY46ACS-1C	4300	0	0.5	4
NEUTRAL	1	ACSR, 4/0 6/1, PENGUIN	4800	15	1	40

EVERSOURCE ENERGY

**3548 34.5kV, J125 115kV LINES
STATE OWNED LAND CROSSING
TILTON, NEW HAMPSHIRE
EXHIBIT 3**

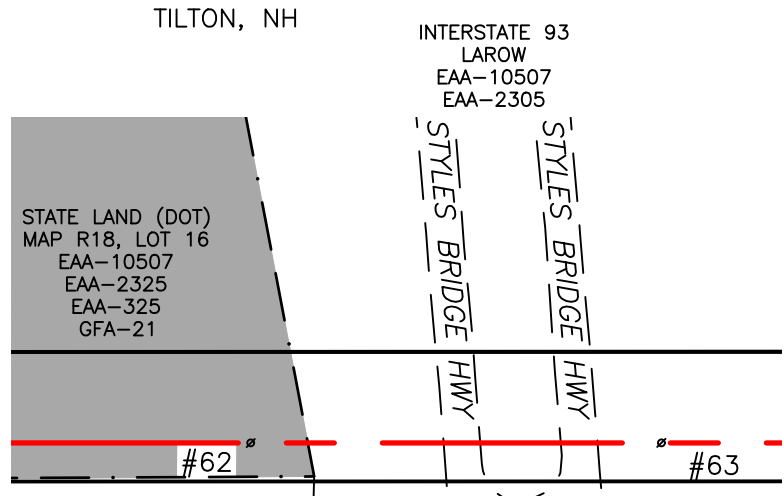
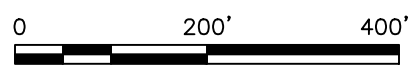
SCALE AS SHOWN	FILE: 04040-81001.DWG	DRAWING NO. 04040-81001
----------------	-----------------------	-------------------------

DRAWN NEB	T 6
ENGINEER CRP	
CHECKED JJD	
APPROVED CRP	
DATE 8/7/23	



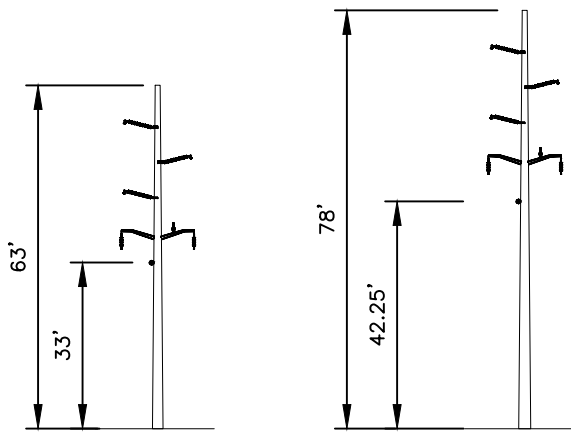
PROFILE VIEW

SCALE: HORZ 1" = 200'
VERT 1" = 20'



PLAN VIEW

SCALE: 1" = 200'



STRUCTURE DETAIL

SCALE: NTS

NOTES:

1. PARCEL INFORMATION PROVIDED BY NH GRANIT.
2. ELEVATIONS REFERENCED TO THE NORTH AMERICAN VERTICAL DATUM OF 1988.
3. STRUCTURE NUMBERS ARE THE SAME FOR BOTH J125 AND 3548 LINES.

DWG REV	EPN/DESCRIPTION	CONT/PE#	DATE	DRN	CHKD	APPR
6	CABLE SCHEDULE CHANGED FOR DOE, NEUTRAL, TENSION WAS 3800, ICE .5, WIND 4		01/22/25	GBS	APS	MCR
5	UPDATED NEUTRAL WIRE SAG CURVE		01/16/25	GBS	APS	MRC
4	UPDATED AND ISSUED FOR DOE		01/09/25	GBS	APS	MRC
3	UPDATED AND ISSUED FOR DOE		01/03/25	GBS	APS	MRC
2	UPDATED AND ISSUED FOR DOE		12/17/24	GBS	APS	MRC
1	ISSUED FOR DOE		11/22/24	NEB	JJD	CRP

LEGEND:

- #60 STRUCTURE
- J125 LINE 115KV LINE, C OF CONSTRUCTION
- LIMITS OF EVERSOURCE RIGHT OF WAY
- PROPERTY LINE
- ROAD, PAVED
- STATE OF NEW HAMPSHIRE PROPERTY

STRUCTURE LOCATION		
STRUCTURE	LONGITUDE	LATITUDE
62	-71.57802164	43.46145510
63	-71.57654211	43.46191969

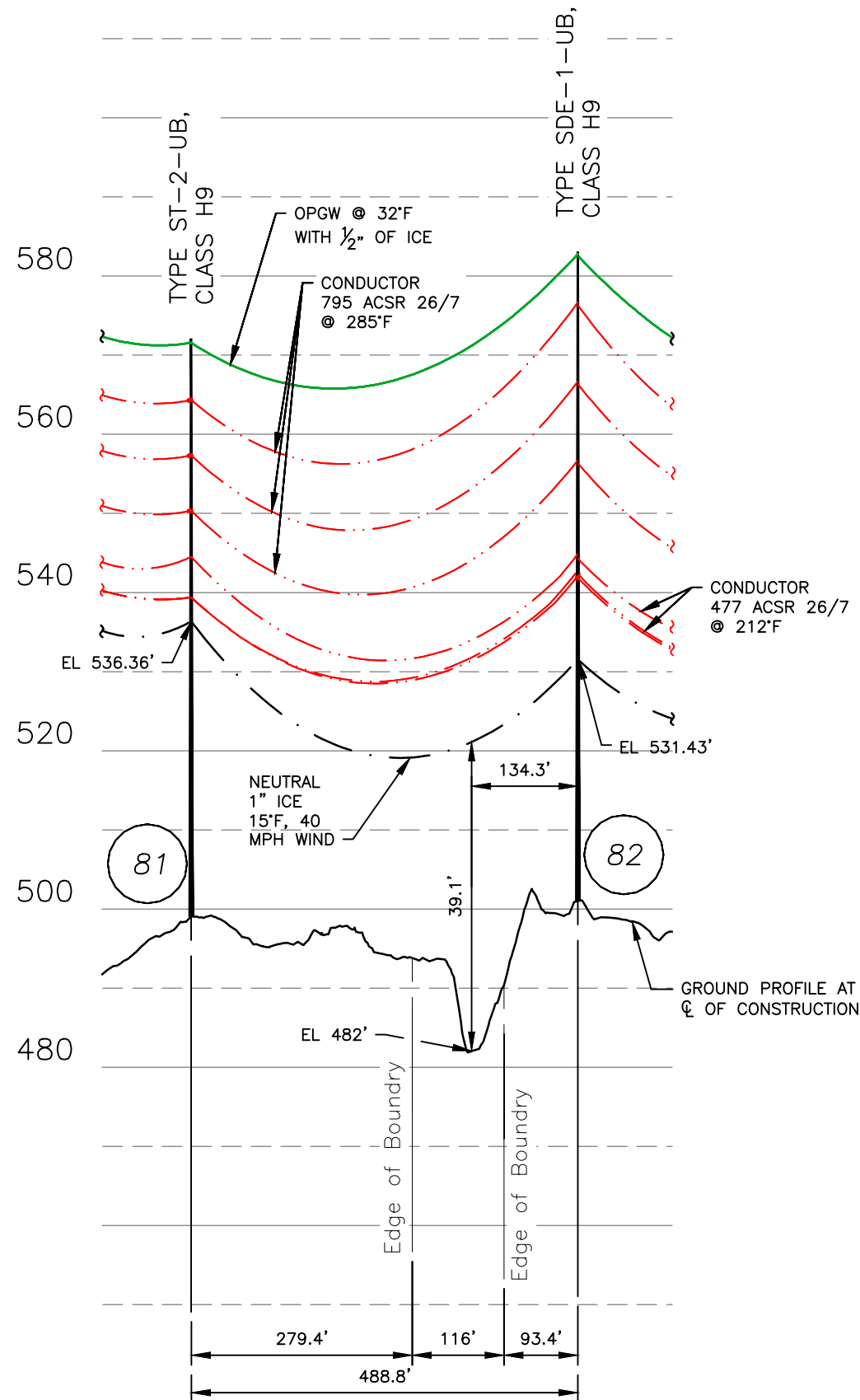
NESC VERTICAL CLEARANCE (FT) FROM TABLE 232.1			
NATURE OF SURFACE UNDERNEATH WIRES, CONDUCTORS OR CABLES	115kV	34.5kV	NEUTRAL
OTHER AREAS TRAVERSED BY VEHICLES SUCH AS CULTIVED, GRAZING, FOREST AND ORCHARD LANDS, INDUSTRIAL SITES, COMMERCIAL SITES, ECT.	20.1	18.5	15.5

CABLE SCHEDULE						
WIRE	QTY OF CABLES	DESCRIPTION	DESIGN CONDITIONS			
			MAX DESIGN TENSION (lb)	TEMP (°F)	ICE (in)	WIND (psf)
CONDUCTOR	3	ACSR, 795 kcmil 26/7, DRAKE	9000	0	0.5	4
CONDUCTOR	3	ACSR, 477 kcmil 26/7, HAWK	6700	0	0.5	4
OPGW	1	12F Ø0.571" BRUGG 79AY46ACS-1C	4300	0	0.5	4
NEUTRAL	1	ACSR, 4/0 6/1, PENGUIN	4800	15	1	40

**3548 34.5kV, J125 115kV LINES
STATE OWNED LAND CROSSING
TILTON, NEW HAMPSHIRE
EXHIBIT 4**

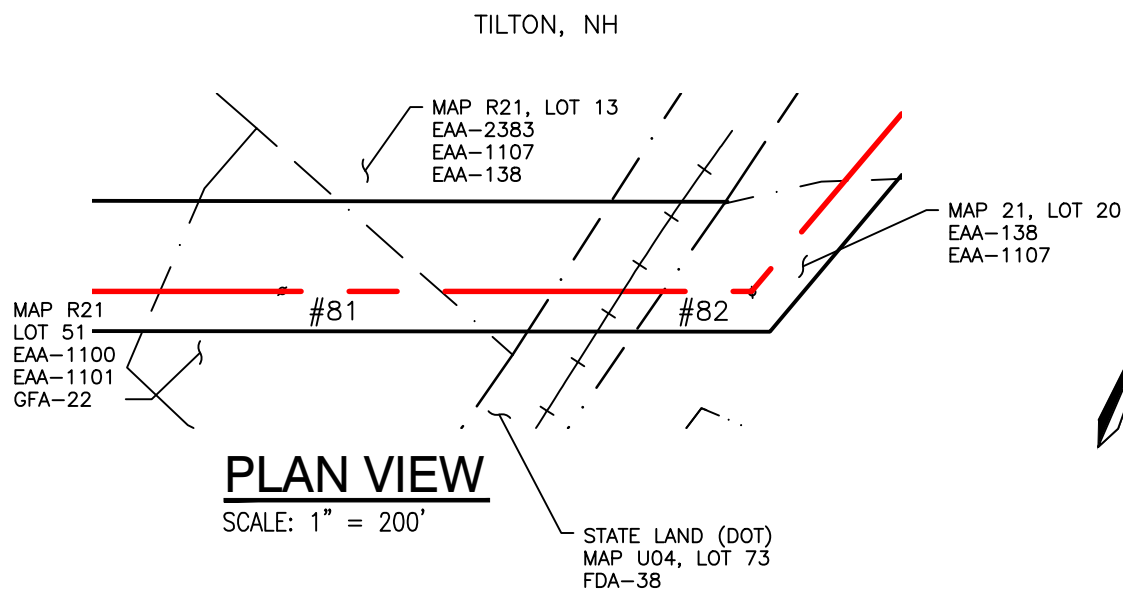
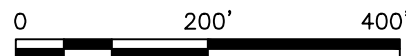
SCALE AS SHOWN	FILE: 04040-81001.DWG IMAGE:	DRAWING NO. 04040-81001
-------------------	---------------------------------	-----------------------------------

T	6
DRAWN NEB	
ENGINEER CRP	
CHECKED JJD	
APPROVED CRP	
DATE 8/7/23	



PROFILE VIEW

SCALE: HORZ 1" = 200'
VERT 1" = 20'

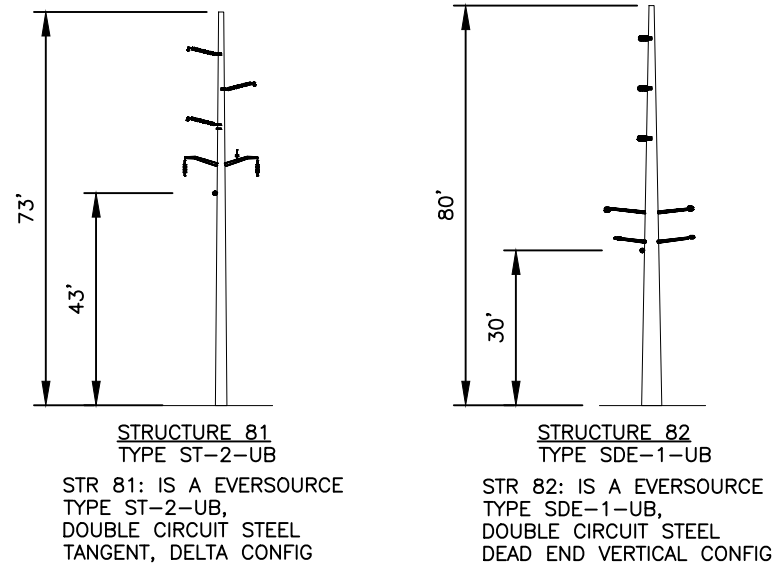


PLAN VIEW

SCALE: 1" = 200'

LEGEND:

- #81 STRUCTURE
- J125 LINE 115KV LINE, C OF CONSTRUCTION
- LIMITS OF EVERSOURCE RIGHT OF WAY
- PROPERTY LINE
- STATE OF NEW HAMPSHIRE PROPERTY



STRUCTURE DETAIL

SCALE: NTS

NOTES:

1. PARCEL INFORMATION PROVIDED BY NH GRANIT.
2. ELEVATIONS REFERENCED TO THE NORTH AMERICAN VERTICAL DATUM OF 1988.
3. STRUCTURE NUMBERS ARE THE SAME FOR BOTH J125 AND 337 LINES.

STRUCTURE LOCATION		
STRUCTURE	LONGITUDE	LATITUDE
81	-71.54649627	43.46605724
82	-71.54467023	43.46623998

NESC VERTICAL CLEARANCE (FT) FROM TABLE 232.1			
NATURE OF SURFACE UNDERNEATH WIRES, CONDUCTORS OR CABLES	115kV	34.5kV	NEUTRAL
TRACK RAILS OF RAILROADS	28.1	26.5	23.5

CABLE SCHEDULE						
WIRE	QTY OF CABLES	DESCRIPTION	DESIGN CONDITIONS			
			MAX DESIGN TENSION (lb)	TEMP (°F)	ICE (in)	WIND (psf)
CONDUCTOR	3	ACSR, 795 kcmil 26/7, DRAKE	9000	0	0.5	4
CONDUCTOR	3	ACSR, 477 kcmil 26/7, HAWK	6600	0	0.5	4
OPGW	1	12F Ø0.571" BRUGG 79AY46ACS-1C	4300	0	0.5	4
NEUTRAL	1	ACSR, 4/0 6/1, PENGUIN	4800	15	1	40

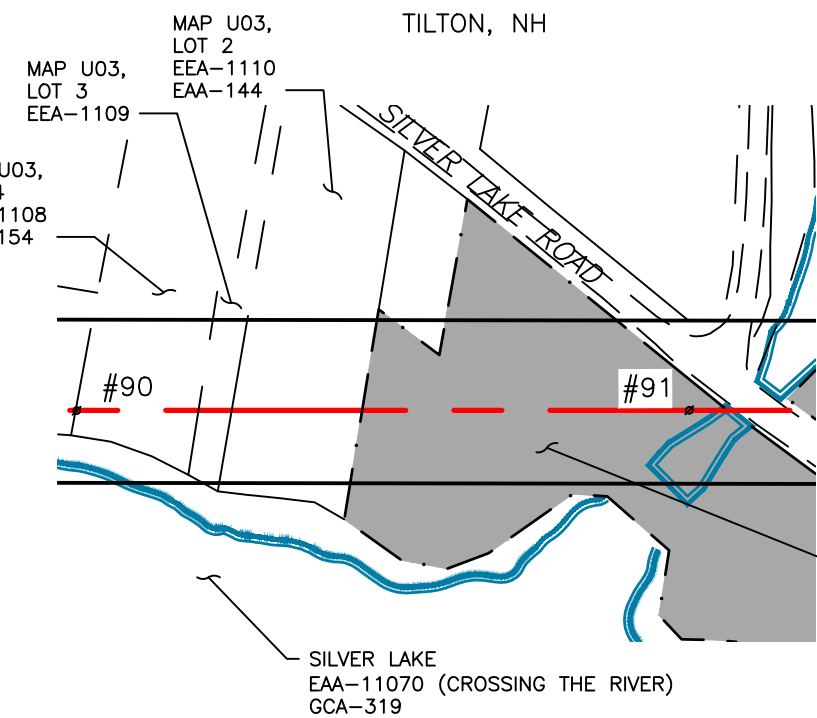
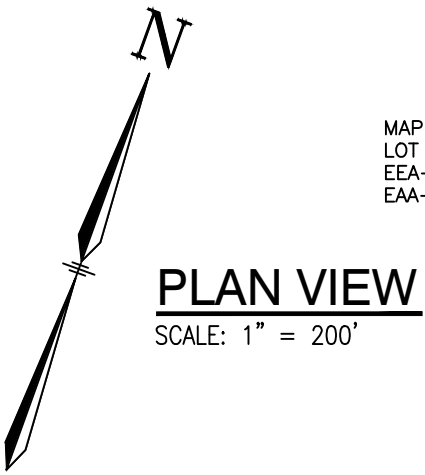
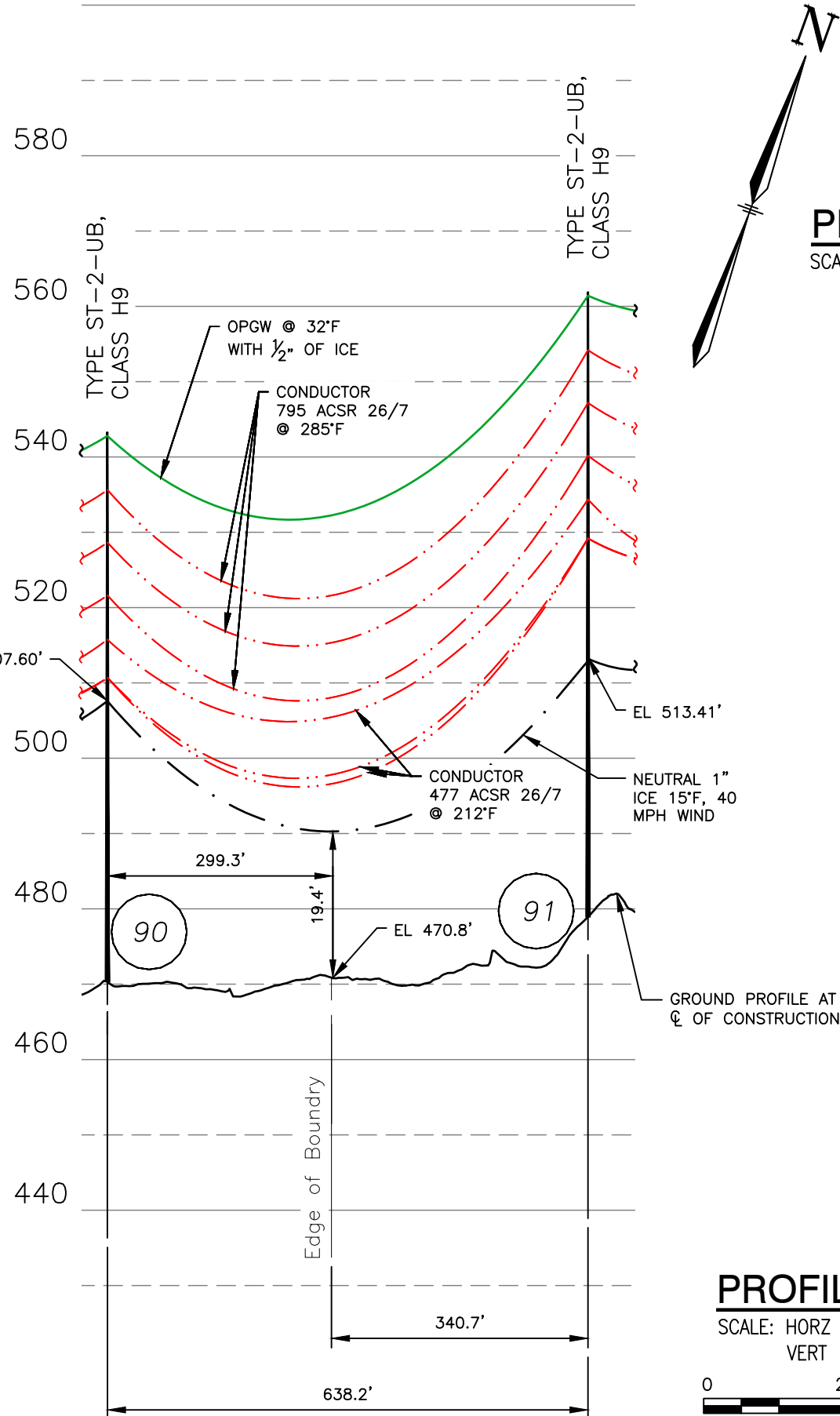
DWG REV	EPN/DESCRIPTION	CONT/PE#	DATE	DRN	CHKD	APPR
6	CABLE SCHEDULE CHANGED FOR DOE, NEUTRAL, TENSION WAS 3000, ICE .5, WIND 4		01/22/25	GBS	APS	MCR
5	UPDATED NEUTRAL WIRE SAG CURVE		01/16/25	GBS	APS	MRC
4	UPDATED AND ISSUED FOR DOE		01/09/25	GBS	APS	MRC
3	UPDATED AND ISSUED FOR DOE		01/03/25	GBS	APS	MRC
2	UPDATED AND ISSUED FOR DOE		12/17/24	GBS	APS	MRC
1	ISSUED FOR DOE		11/22/24	NEB	JJD	CRP

EVERSOURCE ENERGY

337 34.5kV, J125 115kV LINES
STATE OWNED LAND CROSSING
TILTON, NEW HAMPSHIRE
EXHIBIT 5

SCALE AS SHOWN	FILE: 04040-82001.DWG IMAGE:	DRAWING NO. 04040-82001
-------------------	---------------------------------	-----------------------------------

DRAWN NEB	T 6
ENGINEER CRP	
CHECKED JJD	
APPROVED CRP	
DATE 8/7/23	

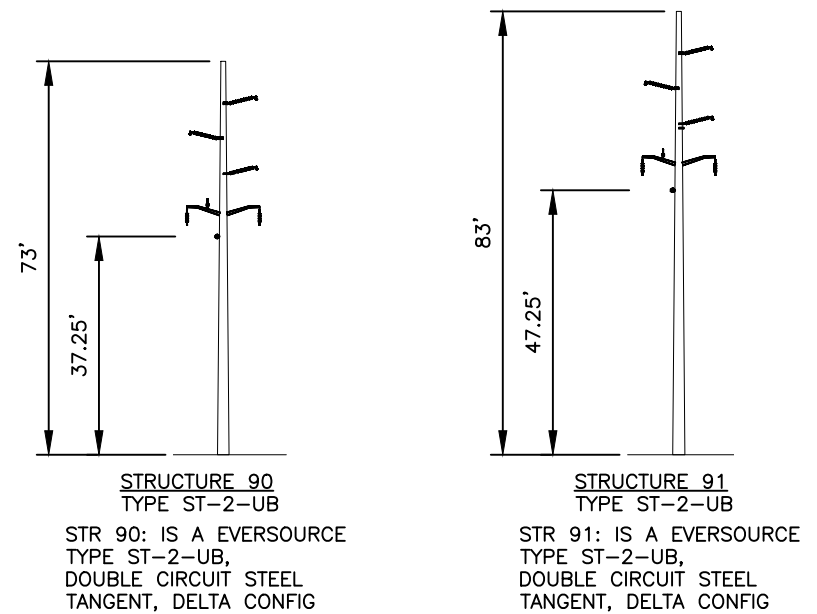


LEGEND:

- #90 STRUCTURE
- J125 LINE 115KV LINE, C OF CONSTRUCTION
- LIMITS OF EVERSOURCE RIGHT OF WAY
- PROPERTY LINE
- WATERBODY
- STATE OF NEW HAMPSHIRE PROPERTY

STRUCTURE LOCATION		
STRUCTURE	LONGITUDE	LATITUDE
90	-71.53631403	43.47133198
91	-71.53405108	43.47192312

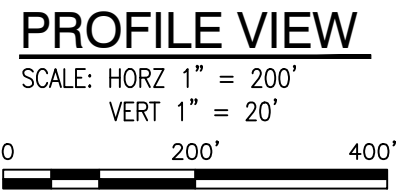
NESC VERTICAL CLEARANCE (FT) FROM TABLE 232.1			
NATURE OF SURFACE UNDERNEATH WIRES, CONDUCTORS OR CABLES	115kV	34.5kV	NEUTRAL
OTHER AREAS TRAVERSED BY VEHICLES SUCH AS CULTIVED, GRAZING, FOREST AND ORCHARD LANDS, INDUSTRIAL SITES, COMMERCIAL SITES, ECT.	20.1	18.5	15.5



STRUCTURE DETAIL
SCALE: NTS

- NOTES:**
1. PARCEL INFORMATION PROVIDED BY NH GRANIT.
 2. ELEVATIONS REFERENCED TO THE NORTH AMERICAN VERTICAL DATUM OF 1988.
 3. STRUCTURE NUMBERS ARE THE SAME FOR BOTH J125 AND 337 LINES.

CABLE SCHEDULE						
WIRE	QTY OF CABLES	DESCRIPTION	DESIGN CONDITIONS			
			MAX DESIGN TENSION (lb)	TEMP (°F)	ICE (in)	WIND (psf)
CONDUCTOR	3	ACSR, 795 kcmil 26/7, DRAKE	9000	0	0.5	4
CONDUCTOR	3	ACSR, 477 kcmil 26/7, HAWK	6300	0	0.5	4
OPGW	1	12F Ø0.571" BRUGG 79AY46ACS-1C	4300	0	0.5	4
NEUTRAL	1	ACSR, 4/0 6/1, PENGUIN	5000	15	1	40



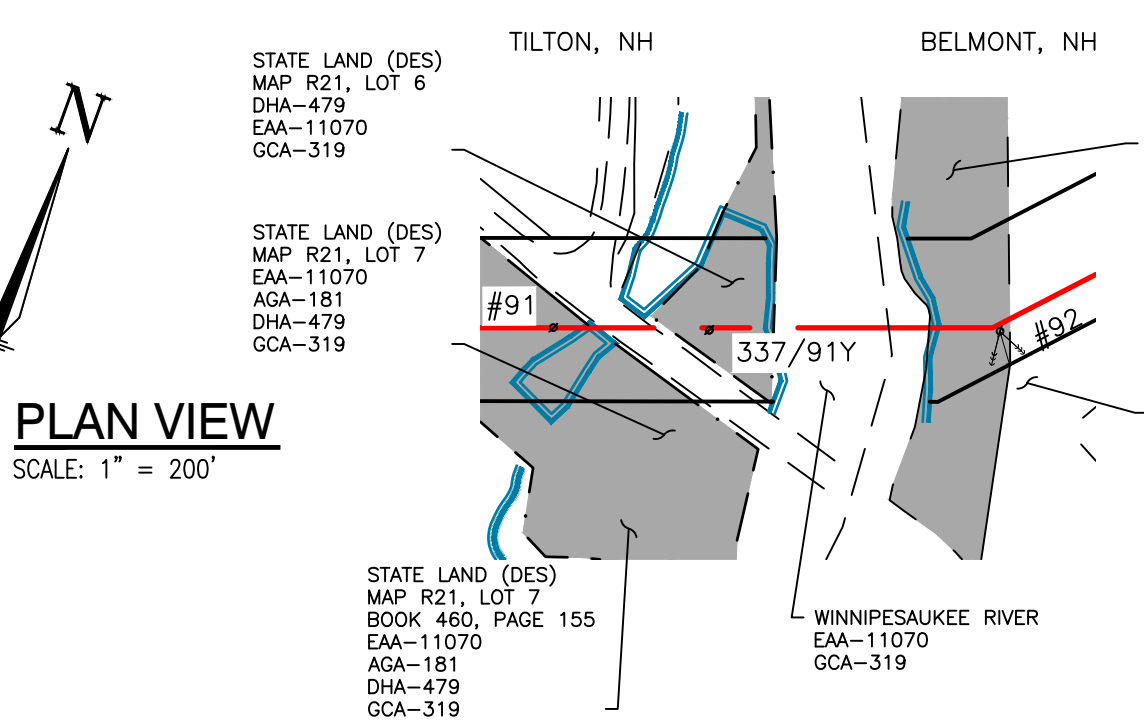
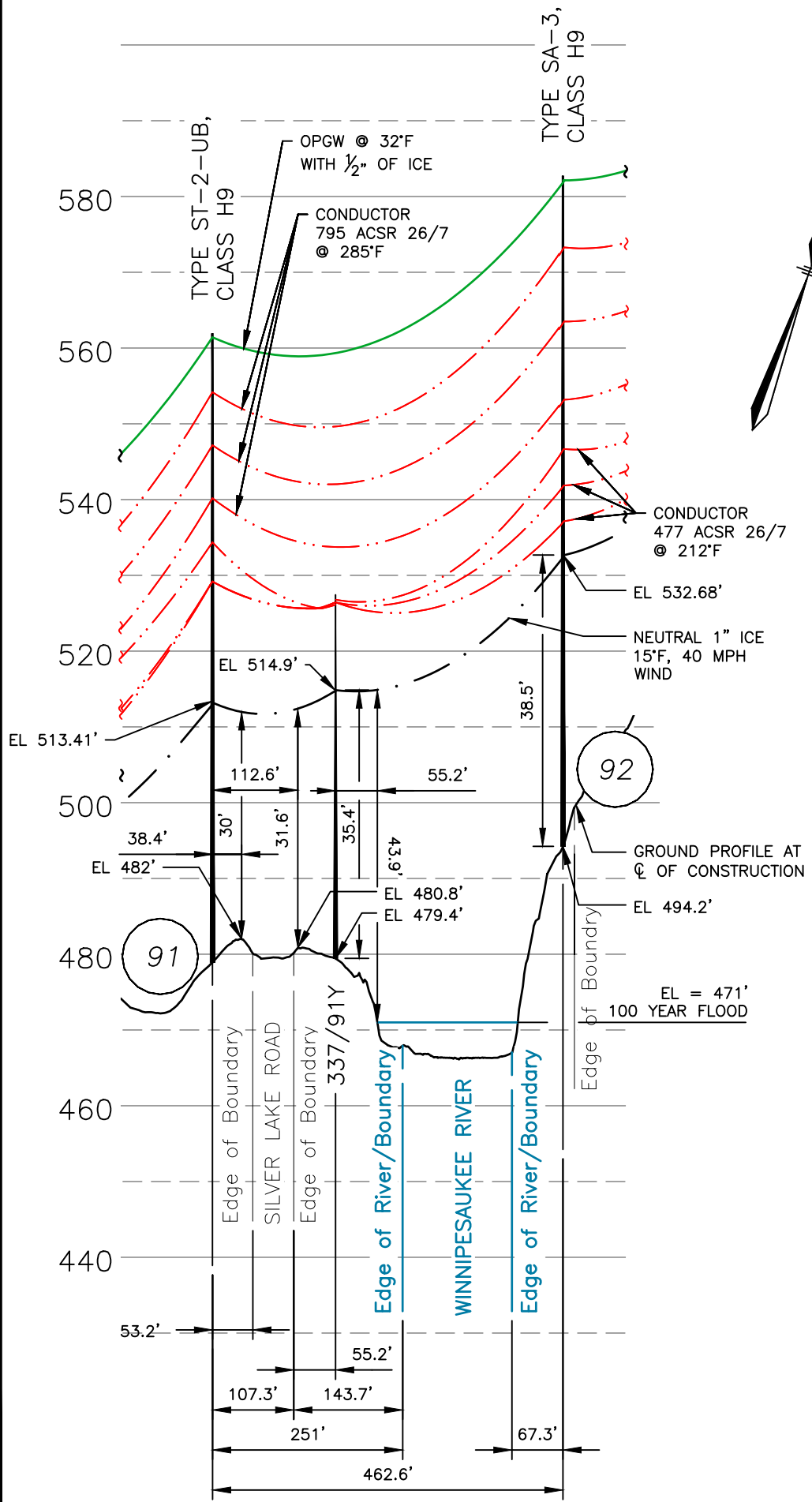
DWG REV	EPN/DESCRIPTION	CONT/PE#	DATE	DRN	CHKD	APPR
6	CABLE SCHEDULE CHANGED FOR DOE, NEUTRAL, TENSION WAS 4000, ICE .5, WIND 4		01/22/25	GBS	APS	MCR
5	UPDATED NEUTRAL WIRE SAG CURVE		01/16/25	GBS	APS	MRC
4	UPDATED AND ISSUED FOR DOE		01/09/25	GBS	APS	MRC
3	UPDATED AND ISSUED FOR DOE		01/03/25	GBS	APS	MRC
2	UPDATED AND ISSUED FOR DOE		12/17/24	GBS	APS	MRC
1	ISSUED FOR DOE		11/22/24	NEB	JJD	CRP

EVERSOURCE ENERGY

337 34.5kV, J125 115kV LINES
STATE OWNED LAND CROSSING
TILTON, NEW HAMPSHIRE
EXHIBIT 6

SCALE: AS SHOWN
FILE: 04040-82002.DWG
DRAWING NO.: 04040-82002

T 6
DRAWN: NEB
ENGINEER: CRP
CHECKED: JJD
APPROVED: CRP
DATE: 8/7/23



TILTON, NH
STATE LAND (DES)
MAP R21, LOT 6
DHA-479
EAA-11070
GCA-319

STATE LAND (DES)
MAP R21, LOT 7
EAA-11070
AGA-181
DHA-479
GCA-319

STATE LAND (DES)
MAP R21, LOT 7
BOOK 460, PAGE 155
EAA-11070
AGA-181
DHA-479
GCA-319

BELMONT, NH
STATE LAND (DES)
MAP 117, LOT 5
BOOK 460, PAGE 155
DHA-479
EAA-11070
GCA-319

MAP 117, LOT 6
EAA-2255

WINNIPESAUKEE RIVER
EAA-11070
GCA-319

LEGEND:

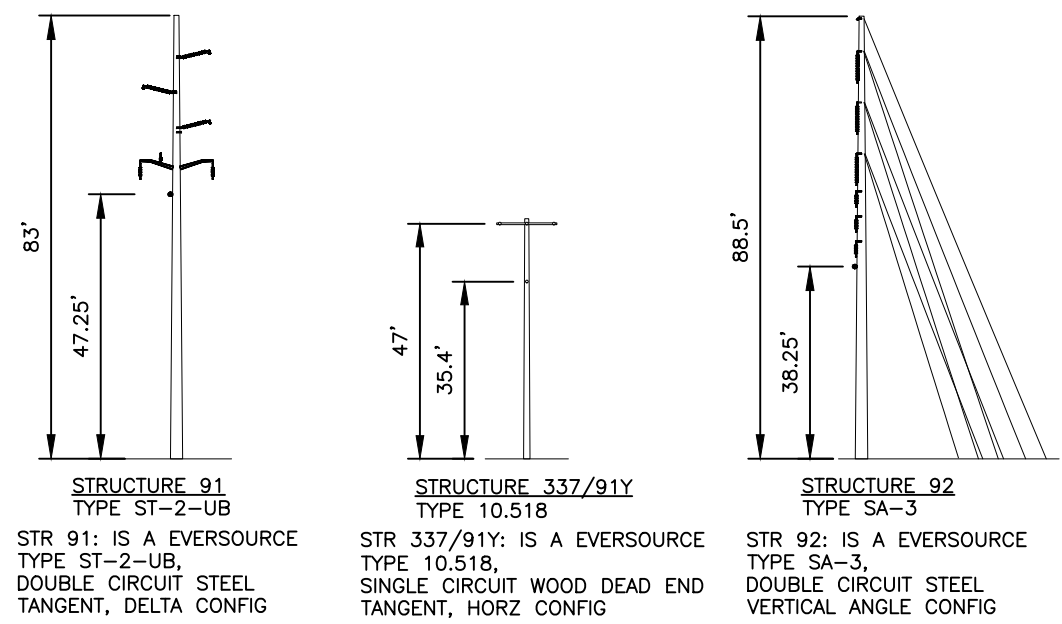
- #91 STRUCTURE
- J125 LINE 115KV LINE, C OF CONSTRUCTION
- LIMITS OF EVERSOURCE RIGHT OF WAY
- PROPERTY LINE
- WATERBODY
- STATE OF NEW HAMPSHIRE PROPERTY

STRUCTURE LOCATION

STRUCTURE	LONGITUDE	LATITUDE
91	-71.53405108	43.47192312
92	-71.53239699	43.47234438

NESC VERTICAL CLEARANCE (FT)
FROM TABLE 232.1

NATURE OF SURFACE UNDERNEATH WIRES, CONDUCTORS OR CABLES	115kV	34.5kV	NEUTRAL
WATER AREAS NOT SUITABLE FOR SAIL BOATING OR WHERE SAIL BOATING IS PROHIBITED.	18.6	17	14
OTHER AREAS TRAVERSED BY VEHICLES, SUCH AS CULTIVATED, GRAZING, FOREST, AND ORCHARD LANDS, INDUSTRIAL SITES, COMMERCIAL SITES, ETC	20.1	18.5	15.5



STRUCTURE DETAIL
SCALE: NTS

- NOTES:**
- PARCEL INFORMATION PROVIDED BY NH GRANIT.
 - ELEVATIONS REFERENCED TO THE NORTH AMERICAN VERTICAL DATUM OF 1988.
 - 100 YEAR FLOOD ELEVATION FROM THE FEMA FLOOD MAP SERVICE CENTER, NATIONAL FLOOD HAZARD LAYER FIRMETTE, 08/19/1997.
 - STRUCTURE NUMBERS ARE THE SAME FOR BOTH J125 AND 337 LINES.

CABLE SCHEDULE

WIRE	QTY OF CABLES	DESCRIPTION	DESIGN CONDITIONS			
			MAX DESIGN TENSION (lb)	TEMP (°F)	ICE (in)	WIND (psf)
CONDUCTOR	3	ACSR, 795 kcmil 26/7, DRAKE	9000	0	0.5	4
CONDUCTOR	3	ACSR, 477 kcmil 26/7, HAWK	5900	0	0.5	4
OPGW	1	12F Ø0.571" BRUGG 79AY46ACS-1C	4300	0	0.5	4
NEUTRAL	1	ACSR, 4/0 6/1, PENGUIN	5000	15	1	40

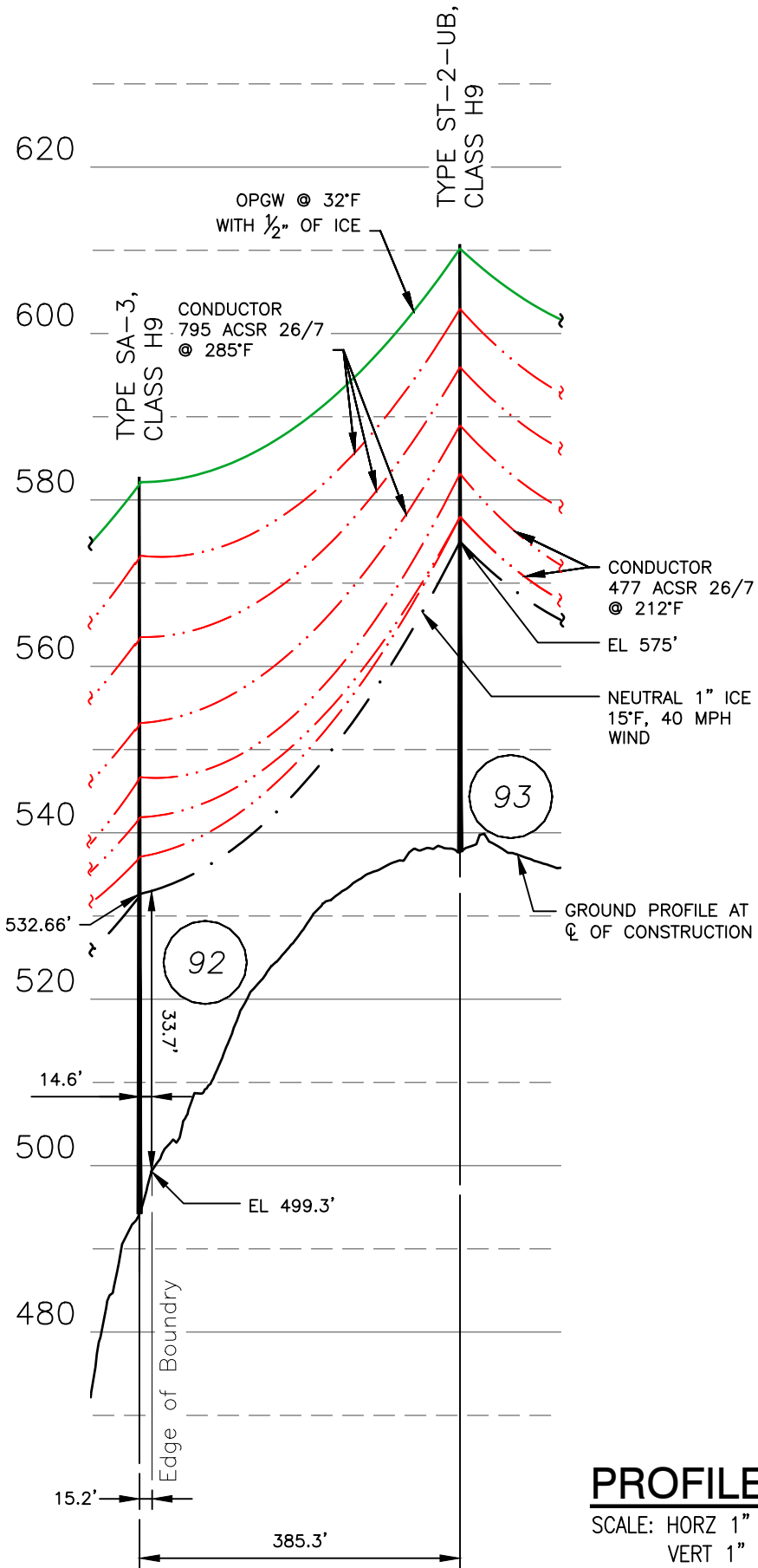
EVERSOURCE ENERGY

337 34.5kV, J125 115kV LINES
STATE OWNED LAND & WATER CROSSING
TILTON & BELMONT, NEW HAMPSHIRE
EXHIBIT 7

SCALE: AS SHOWN
FILE: 04040-82002.DWG
DRAWING NO. 04040-82002

T 6
DRAWN NEB
ENGINEER CRP
CHECKED JJD
APPROVED CRP
DATE 8/7/23

DWG REV	EPN/DESCRIPTION	CONT/PE#	DATE	DRN	CHKD	APPR
6	CABLE SCHEDULE CHANGED FOR DOE, NEUTRAL, TENSION WAS 4400, ICE .5, WIND 4		01/22/25	GBS	APS	MRC
5	UPDATED NEUTRAL WIRE SAG CURVE		01/16/25	GBS	APS	MRC
4	UPDATED AND ISSUED FOR DOE		01/09/25	GBS	APS	MRC
3	UPDATED AND ISSUED FOR DOE		01/03/25	GBS	APS	MRC
2	UPDATED AND ISSUED FOR DOE		12/17/24	GBS	APS	MRC
1	ISSUED FOR DOE		11/22/24	NEB	JJD	CRP



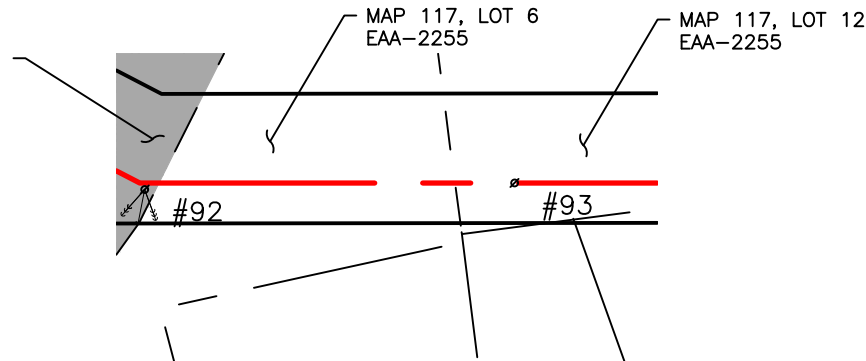
PROFILE VIEW

SCALE: HORZ 1" = 200'
VERT 1" = 20'



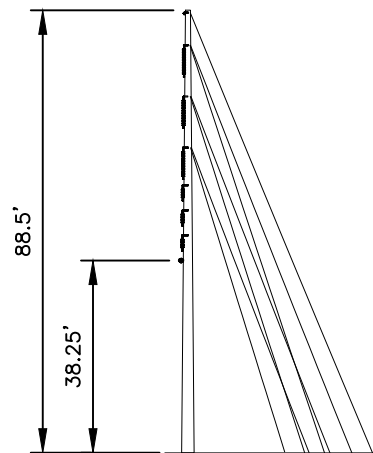
STATE LAND (DES)
MAP 117, LOT 5
BOOK 460, PAGE 155
DHA-479
EAA-11070
GCA-319

BELMONT, NH



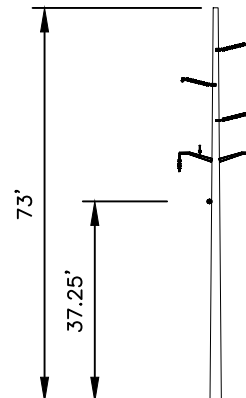
PLAN VIEW

SCALE: 1" = 200'



STRUCTURE 92
TYPE SA-3

STR 92: IS A EVERSOURCE
TYPE SA-3,
DOUBLE CIRCUIT STEEL
VERTICAL ANGLE CONFIG



STRUCTURE 93
TYPE ST-2-UB

STR 93: IS A EVERSOURCE
TYPE ST-2-UB,
DOUBLE CIRCUIT STEEL
TANGENT, DELTA CONFIG

STRUCTURE DETAIL

SCALE: NTS

NOTES:

1. PARCEL INFORMATION PROVIDED BY NH GRANIT.
2. ELEVATIONS REFERENCED TO THE NORTH AMERICAN VERTICAL DATUM OF 1988.
3. STRUCTURE NUMBERS ARE THE SAME FOR BOTH J125 AND 337 LINES.

DWG REV	EPN/DESCRIPTION	CONT/PE#	DATE	DRN	CHKD	APPR
6	CABLE SCHEDULE CHANGED FOR DOE, NEUTRAL, TENSION WAS 4400, ICE .5, WIND 4		01/22/25	GBS	APS	MCR
5	UPDATED NEUTRAL WIRE SAG CURVE		01/16/25	GBS	APS	MRC
4	UPDATED AND ISSUED FOR DOE		01/09/25	GBS	APS	MRC
3	UPDATED AND ISSUED FOR DOE		01/03/25	GBS	APS	MRC
2	UPDATED AND ISSUED FOR DOE		12/17/24	GBS	APS	MRC
1	ISSUED FOR DOE		11/22/24	NEB	JJD	CRP

LEGEND:

- #93 STRUCTURE
- J125 LINE 115KV LINE, C OF CONSTRUCTION
- LIMITS OF EVERSOURCE RIGHT OF WAY
- PROPERTY LINE
- STATE OF NEW HAMPSHIRE PROPERTY

STRUCTURE LOCATION		
STRUCTURE	LONGITUDE	LATITUDE
92	-71.53239699	43.47234438
93	-71.53142622	43.47313058

NESC VERTICAL CLEARANCE (FT) FROM TABLE 232.1			
NATURE OF SURFACE UNDERNEATH WIRES, CONDUCTORS OR CABLES	115kV	34.5kV	NEUTRAL
OTHER AREAS TRAVERSED BY VEHICLES SUCH AS CULTIVED, GRAZING, FOREST AND ORCHARD LANDS, INDUSTRIAL SITES, COMMERCIAL SITES, ECT.	20.1	18.5	15.5

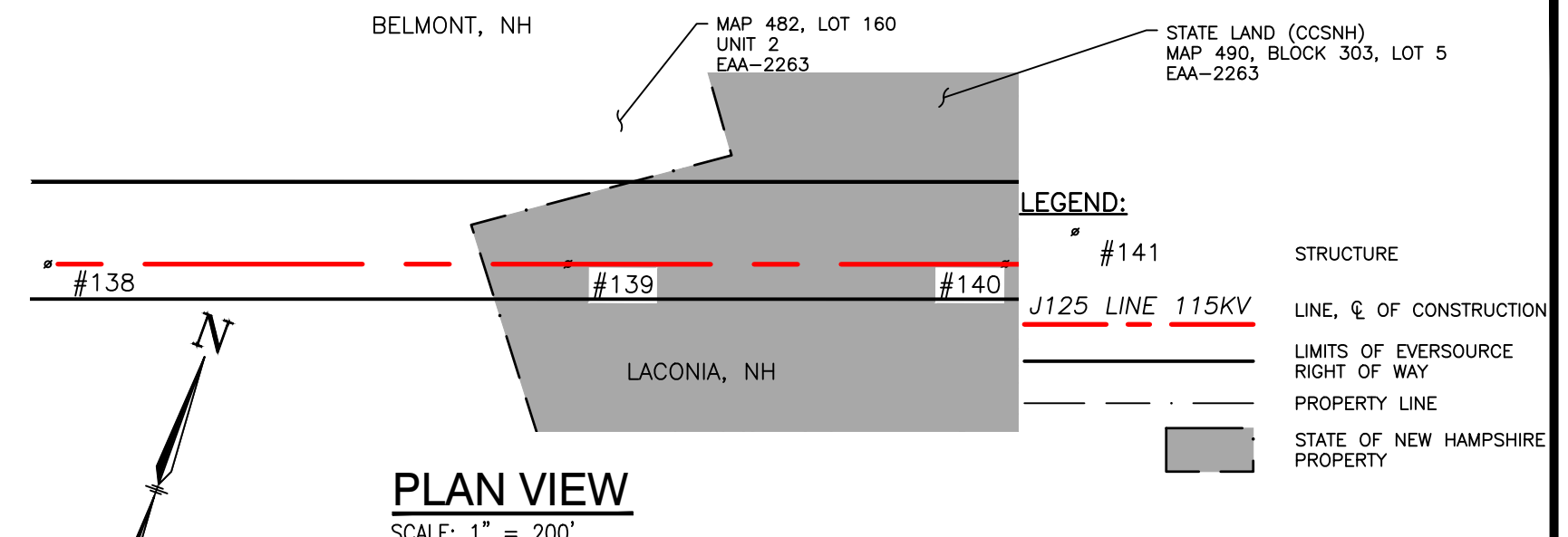
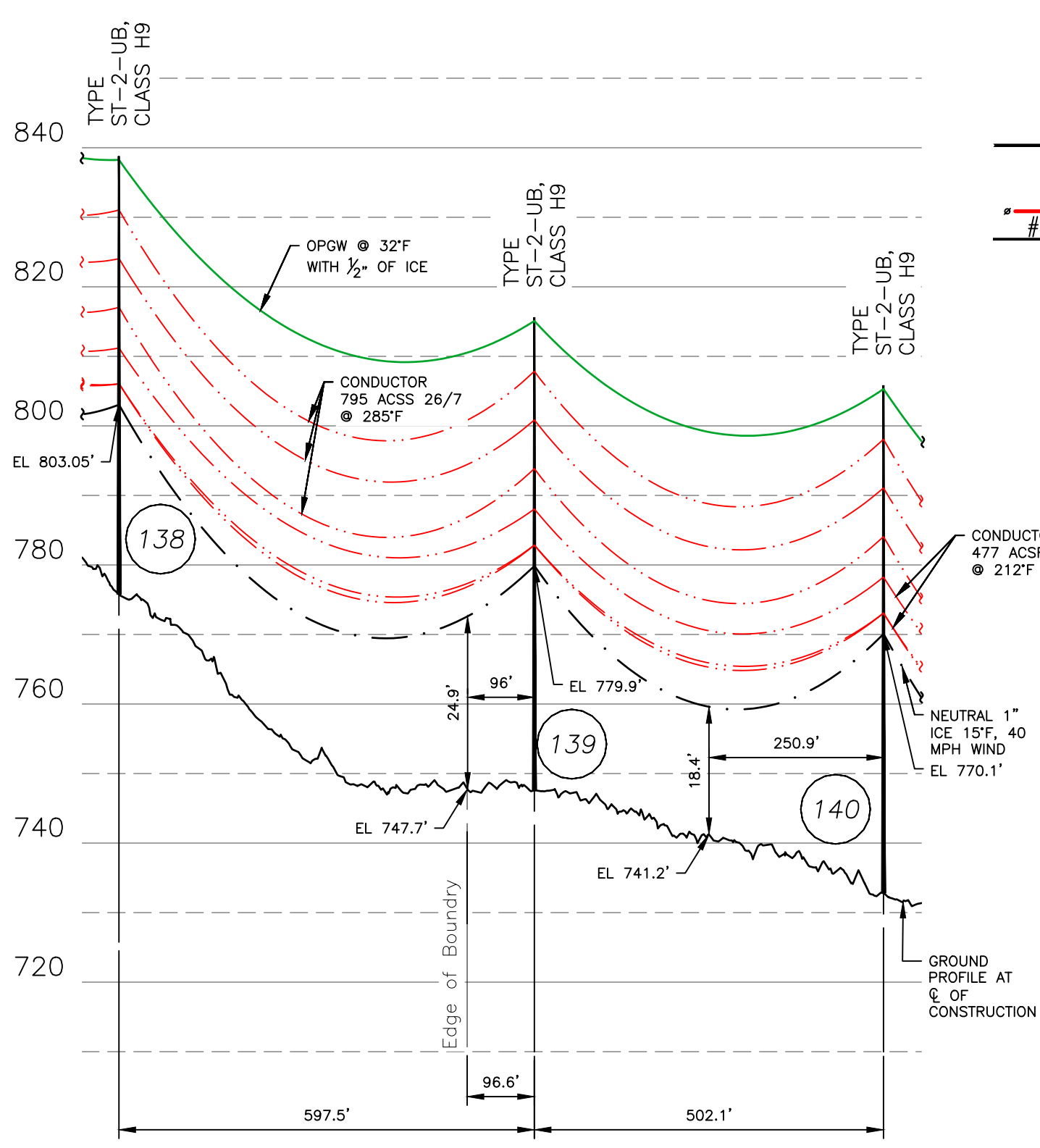
CABLE SCHEDULE						
WIRE	QTY OF CABLES	DESCRIPTION	DESIGN CONDITIONS			
			MAX DESIGN TENSION (lb)	TEMP (°F)	ICE (in)	WIND (psf)
CONDUCTOR	3	ACSR, 795 kcmil 26/7, DRAKE	9000	0	0.5	4
CONDUCTOR	3	ACSR, 477 kcmil 26/7, HAWK	5900	0	0.5	4
OPGW	1	12F Ø0.571" BRUGG 79AY46ACS-1C	4300	0	0.5	4
NEUTRAL	1	ACSR, 4/0 6/1, PENGUIN	4800	15	1	40

EVERSOURCE ENERGY

337 34.5kV, J125 115kV LINES
STATE OWNED LAND CROSSING
TILTON, NEW HAMPSHIRE
EXHIBIT 8

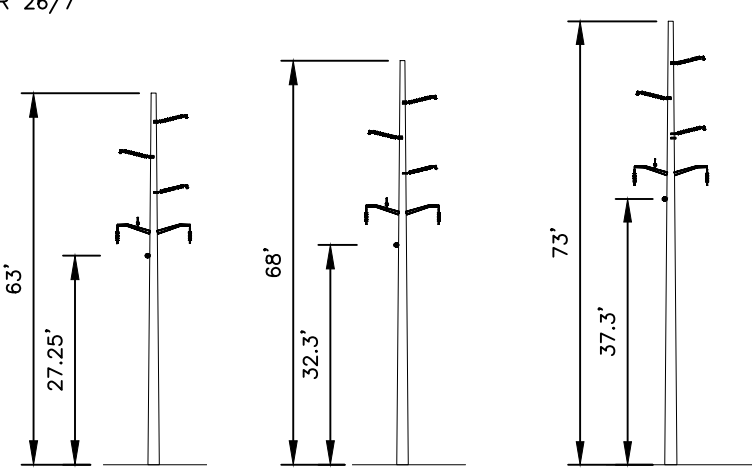
SCALE AS SHOWN	FILE: 04040-82002.DWG IMAGE:	DRAWING NO. 04040-82002
-------------------	---------------------------------	-----------------------------------

DRAWN NEB	ENGINEER CRP	T 6
CHECKED JJD	APPROVED CRP	DATE 8/7/23



STRUCTURE LOCATION		
STRUCTURE	LONGITUDE	LATITUDE
138	-71.46701587	43.50732903
139	-71.46519726	43.50829582
140	-71.46366876	43.50910835

NESC VERTICAL CLEARANCE (FT) FROM TABLE 232.1			
NATURE OF SURFACE UNDERNEATH WIRES, CONDUCTORS OR CABLES	115kV	34.5kV	NEUTRAL
OTHER AREAS TRAVERSED BY VEHICLES SUCH AS CULTIVED, GRAZING, FOREST AND ORCHARD LANDS, INDUSTRIAL SITES, COMMERCIAL SITES, ECT.	20.1	18.5	15.5



CABLE SCHEDULE						
WIRE	QTY OF CABLES	DESCRIPTION	DESIGN CONDITIONS			
			MAX DESIGN TENSION (lb)	TEMP (°F)	ICE (in)	WIND (psf)
CONDUCTOR	3	ACSR, 795 kcmil 26/7, DRAKE	9000	0	0.5	4
CONDUCTOR	3	ACSR, 477 kcmil 26/7, HAWK	7200	0	0.5	4
OPGW	1	12F Ø0.571" BRUGG 79AY46ACS-1C	4300	0	0.5	4
NEUTRAL	1	ACSR, 4/0 6/1, PENGUIN	4800	15	1	40

- NOTES:**
1. PARCEL INFORMATION PROVIDED BY NH GRANIT.
 2. ELEVATIONS REFERENCED TO THE NORTH AMERICAN VERTICAL DATUM OF 1988.
 3. STRUCTURE NUMBERS ARE THE SAME FOR BOTH J125 AND 337 LINES.

DWG REV	EPN/DESCRIPTION	CONT/PE#	DATE	DRN	CHKD	APPR
6	CABLE SCHEDULE CHANGED FOR DOE, NEUTRAL, TENSION WAS 3500, ICE .5, WIND 4		01/22/25	GBS	APS	MRC
5	ADDED 40 MPH WIND NOTE		01/16/25	GBS	APS	MRC
4	UPDATED AND ISSUED FOR DOE		01/09/25	GBS	APS	MRC
3	UPDATED AND ISSUED FOR DOE		01/03/25	GBS	APS	MRC
2	UPDATED AND ISSUED FOR DOE		12/17/24	GBS	APS	MRC
1	ISSUED FOR DOE		11/22/24	NEB	JJD	CRP

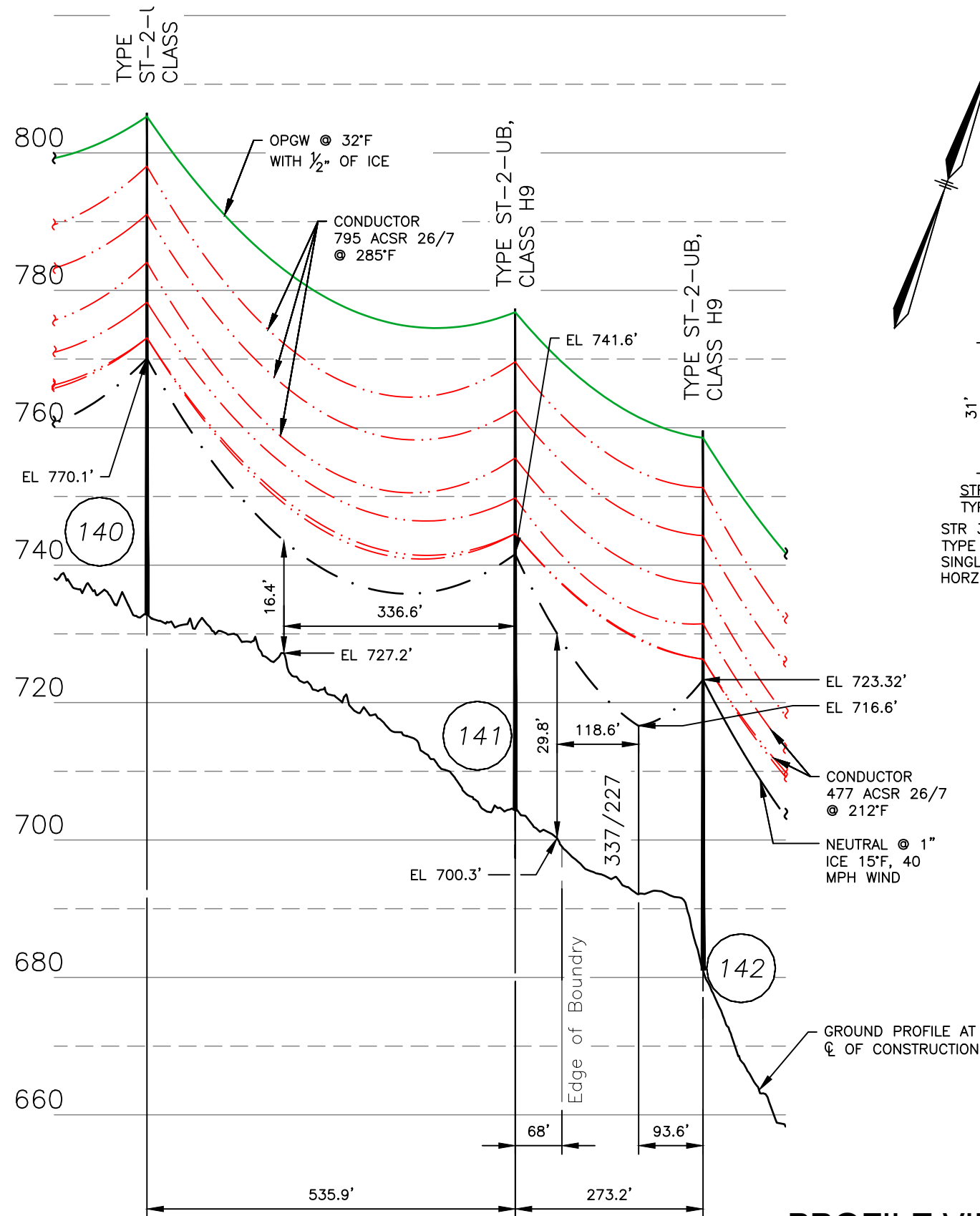
EVERSOURCE ENERGY

337 34.5kV, J125 115kV LINES
STATE OWNED LAND CROSSING
BELMONT & LACONIA, NEW HAMPSHIRE
EXHIBIT 9

SCALE: AS SHOWN
FILE: 04040-82003.DWG
DRAWING NO.: 04040-82003

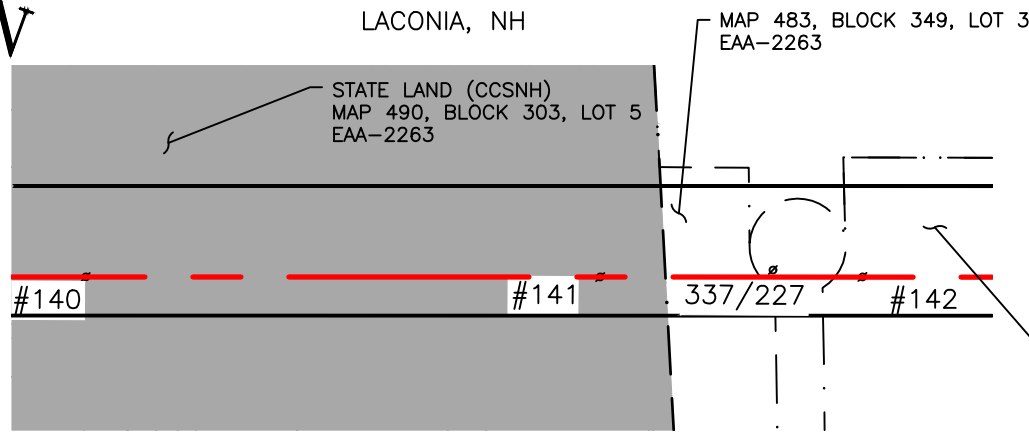
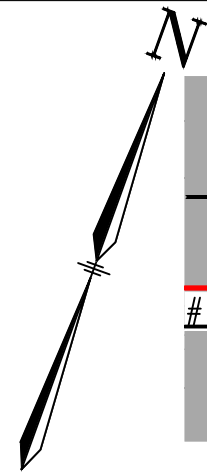
T 6
DRAWN: NEB
ENGINEER: CRP
CHECKED: JJD
APPROVED: CRP
DATE: 8/7/23

1/22/2025 3:36 PM - sulligx - C:\Users\sulligx\appdata\local\temp\AcPublish_7304\04040-82003.dwg - EXHIBIT 10 (LAND CROSSING) ES VER: 12/2016



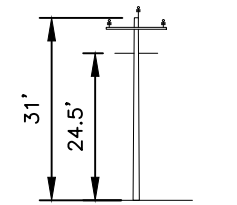
PROFILE VIEW

SCALE: HORZ 1" = 200'
VERT 1" = 20'

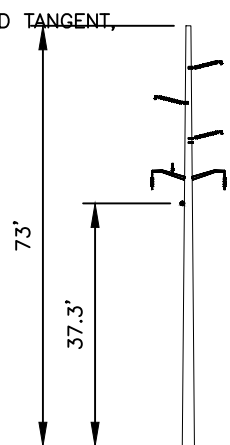


PLAN VIEW

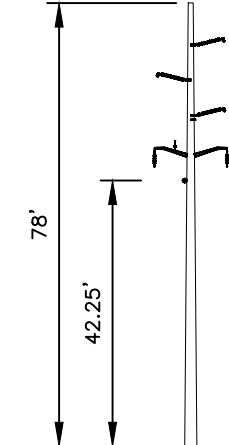
SCALE: 1" = 200'



STRUCTURE 337/227
TYPE 10.411
STR 337/227: IS A EVERSOURCE TYPE 10.411, SINGLE CIRCUIT WOOD TANGENT, HORZ CONFIG



STRUCTURE 140 & 141
TYPE ST-2-UB
STR 140 AND 141: IS A EVERSOURCE TYPE ST-2-UB, DOUBLE CIRCUIT STEEL TANGENT, DELTA CONFIG



STRUCTURE 142
TYPE ST-2-UB
STR 142: IS A EVERSOURCE TYPE ST-2-UB, DOUBLE CIRCUIT STEEL TANGENT, DELTA CONFIG

STRUCTURE DETAIL

SCALE: NTS

NOTES:

1. PARCEL INFORMATION PROVIDED BY NH GRANIT.
2. ELEVATIONS REFERENCED TO THE NORTH AMERICAN VERTICAL DATUM OF 1988.
3. STRUCTURE NUMBERS ARE THE SAME FOR BOTH J125 AND 337 LINES.

DWG REV	EPN/DESCRIPTION	CONT/PE#	DATE	DRN	CHKD	APPR
6	CABLE SCHEDULE CHANGED FOR DOE, NEUTRAL, TENSION WAS 3500, ICE .5, WIND 4		01/22/25	GBS	APS	MRC
5	ADDED 40 MPH WIND NOTE		01/16/25	GBS	APS	MRC
4	UPDATED AND ISSUED FOR DOE		01/09/25	GBS	APS	MRC
3	UPDATED AND ISSUED FOR DOE		01/03/25	GBS	APS	MRC
2	UPDATED AND ISSUED FOR DOE		12/17/24	GBS	APS	MRC
1	ISSUED FOR DOE		11/22/24	NEB	JJD	CRP

LEGEND:

- #141 STRUCTURE
- J125 LINE 115KV LINE, Q OF CONSTRUCTION
- LIMITS OF EVERSOURCE RIGHT OF WAY
- PROPERTY LINE
- STATE OF NEW HAMPSHIRE PROPERTY

STRUCTURE LOCATION		
STRUCTURE	LONGITUDE	LATITUDE
140	-71.46366876	43.50910835
141	-71.46203752	43.50997544
142	-71.46120586	43.51041748

NESC VERTICAL CLEARANCE (FT) FROM TABLE 232.1			
NATURE OF SURFACE UNDERNEATH WIRES, CONDUCTORS OR CABLES	115kV	34.5kV	NEUTRAL
OTHER AREAS TRAVERSED BY VEHICLES SUCH AS CULTIVED, GRAZING, FOREST AND ORCHARD LANDS, INDUSTRIAL SITES, COMMERCIAL SITES, ECT.	20.1	18.5	15.5

CABLE SCHEDULE						
WIRE	QTY OF CABLES	DESCRIPTION	DESIGN CONDITIONS			
			MAX DESIGN TENSION (lb)	TEMP (°F)	ICE (in)	WIND (psf)
CONDUCTOR	3	ACSR, 795 kcmil 26/7, DRAKE	9000	0	0.5	4
CONDUCTOR	3	ACSR, 477 kcmil 26/7, HAWK	7200	0	0.5	4
OPGW	1	12F Ø0.571" BRUGG 79AY46ACS-1C	4300	0	0.5	4
NEUTRAL	1	ACSR, 4/0 6/1, PENGUIN	4800	15	1	40

EVERSOURCE ENERGY

337 34.5kV, J125 115kV LINES
STATE OWNED LAND CROSSING
LACONIA, NEW HAMPSHIRE
EXHIBIT 10

SCALE AS SHOWN	FILE: 04040-82003.DWG IMAGE:	DRAWING NO. 04040-82003
-------------------	---------------------------------	-----------------------------------

T	5	DRAWN
		NEB
		ENGINEER
		CRP
		CHECKED
		JJD
		APPROVED
		CRP
		DATE
		8/7/23