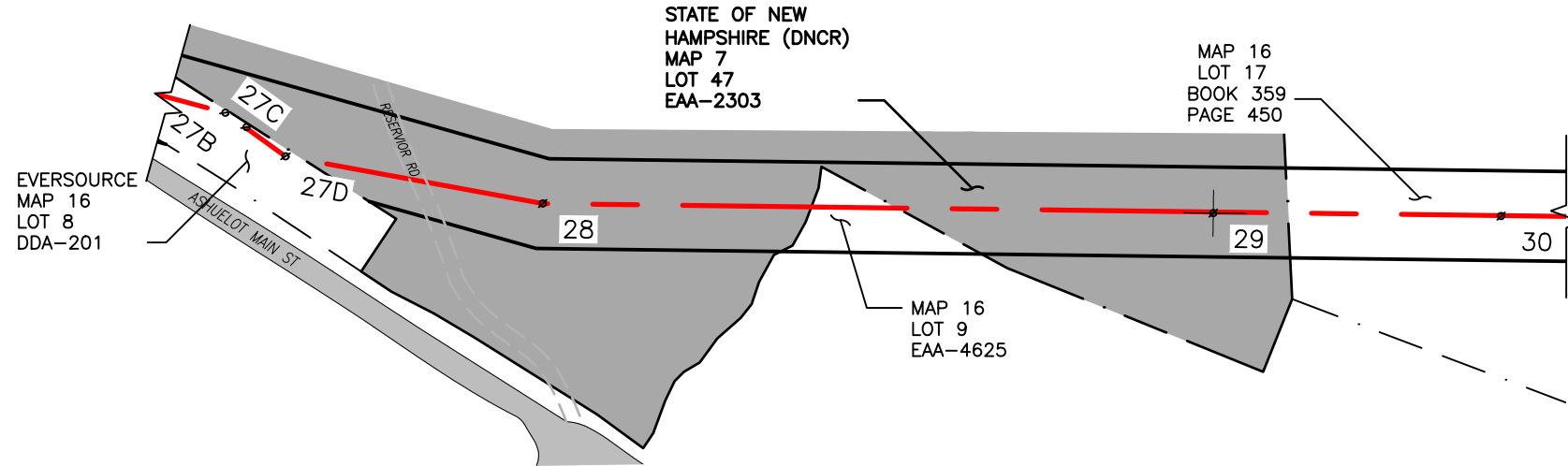


LEGEND:

- 3178 LINE:
- 3178 STR:

DWG REV	EPN/DESCRIPTION	CONT/PE#	DATE	DRN	CHKD	APPR
1	SUBMITTED TO NH DOE		05/24	GBS	CJT	CJT

<h1 style="margin: 0;">EVERSOURCE ENERGY</h1>		D	1
		DRAWN GBS	ENGINEER CJT
<p>3178, 34.5kV LINE STATE OWNED LAND CROSSING, LOCATION PLAN WINCHESTER, NEW HAMPSHIRE EXHIBIT 1</p>		CHECKED CJT	APPROVED CJT
		DATE 4/2/24	
		DRAWING NO. 04620-81001	
SCALE 1" = 1500'	FILE: 04620-81001.DWG IMAGE:		



LEGEND:

- 29 STRUCTURE
- STATE OF NEW HAMPSHIRE PROPERTY
- PROPERTY BOUNDARY
- 3178 LINE 34.5KV LINE, C OF CONSTRUCTION
- LIMITS OF EVERSOURCE RIGHT OF WAY

NOTES:

1. PARCEL INFORMATION PROVIDED BY
 - 1.1. NH DOT DRAWING, 50992, ROW MARKUPS, 1930.
 - 1.2. PSNH DRAWING D-3-1551, PLAN OF LAND FOR NEW SS, ASHUELOT, NH JAN. 24, 1947
 - 1.3. NH GRANIT
2. ELEVATIONS REFERENCED TO THE NORTH AMERICAN VERTICAL DATUM OF 1988.

STRUCTURE LOCATION		
STRUCTURE	LONGITUDE	LATITUDE
27D	-72.44089715	42.78902031
28	-72.43966613	42.78879541
29	-72.43688632	42.78878491
30	-72.43573064	42.78878402

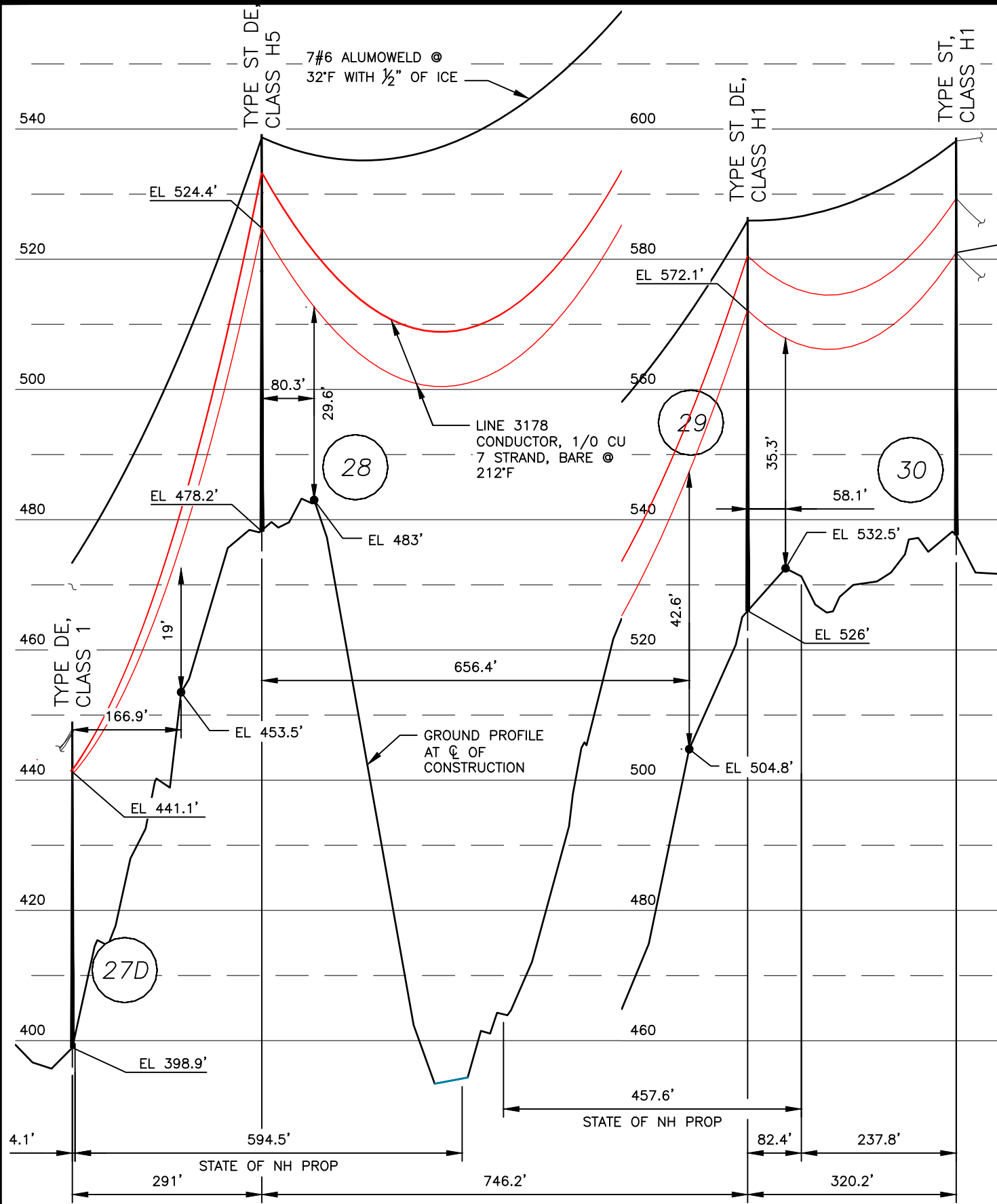
NEC VERTICAL CLEARANCE (FT) FROM TABLE 232.1	
NATURE OF SURFACE UNDERNEATH WIRES, CONDUCTORS OR CABLES	34.5kV
OTHER AREAS TRAVERSED BY VEHICLES, SUCH AS CULTIVATED, GRAZING, FOREST, AND ORCHARD LANDS, INDUSTRIAL SITES, COMMERCIAL SITES, ETC	18.6



1	SUBMITTED TO NH DOE																		
DWG REV	EPN/DESCRIPTION	CONT/PE#	DATE	DRN	CHKD	APPR	GBS	CJT	CJT										

		D	1
		DRAWN	GBS
3178, 34.5kV LINE STATE OWNED LAND CROSSING WINCHESTER, NEW HAMPSHIRE EXHIBIT 2		ENGINEER	CJT
		CHECKED	CJT
SCALE AS SHOWN FILE: 04620-81001.DWG DRAWING NO. 04620-81001		APPROVED	CJT
		DATE	4/2/24

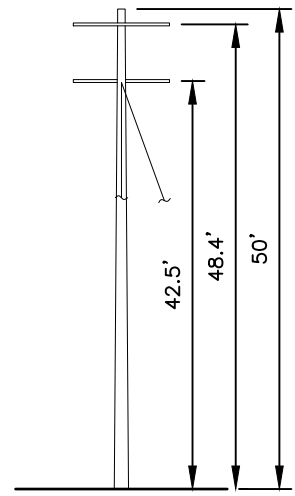
8/16/2024 10:27 AM - spensct - N:\DEPT WORK AREA\NH WORK AREA\SPENSCT\DISTRICTION MILESHE...04620-81001.dwg - EXHIBIT 3 (PROFILES) VER: 12/2016



PROFILE VIEW

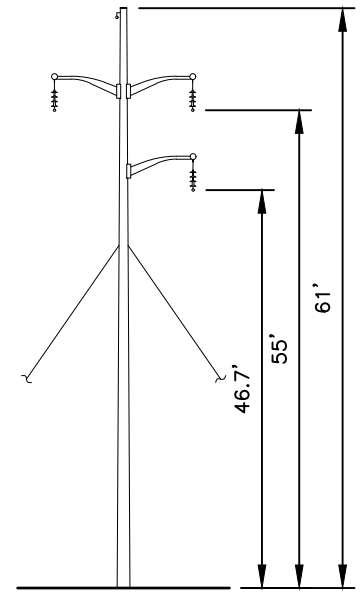
SCALE: HORZ 1" = 200'
VERT 1" = 20'

CABLE SCHEDULE						
WIRE	QTY OF CABLES	DESCRIPTION	DESIGN CONDITIONS			
			MAX DESIGN TENSION (lb)	TEMP (°F)	ICE (in)	WIND (psf)
CONDUCTOR	3	1/0 CU 7 STRAND, BARE	2400	0	0.5	4
NEUTRAL	1	7 No. 6 AW	4100	0	0.5	4



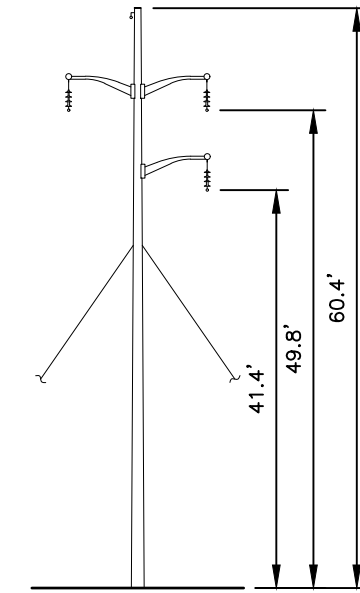
STRUCTURE 27D
TYPE DE

STR 27D: IS AN EVERSOURCE TYPE DE, SINGLE CIRCUIT WOOD POLE DEAD END CROSS ARM ANGLE



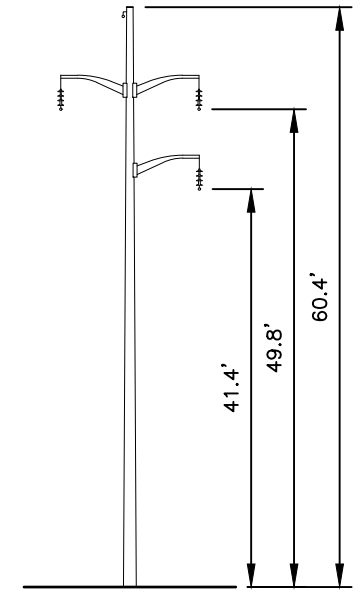
STRUCTURE 28
TYPE ST DE

STR 28: IS AN EVERSOURCE TYPE ST DE, SINGLE CIRCUIT STEEL POLE DEAD END WITH GUYS



STRUCTURE 29
TYPE ST DE

STR 29: IS AN EVERSOURCE TYPE ST DE, SINGLE CIRCUIT STEEL POLE DEAD END WITH GUYS

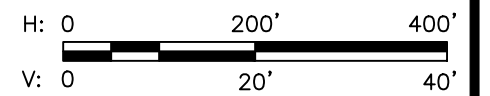


STRUCTURE 30
TYPE ST

STR 30: IS AN EVERSOURCE TYPE ST, SINGLE CIRCUIT STEEL POLE TANGENT

NOTES:

1. ELEVATIONS REFERENCED TO THE NORTH AMERICAN VERTICAL DATUM OF 1988.



STRUCTURE DETAILS

SCALE: NTS

DWG REV	EPN/DESCRIPTION	CONT/PE#	DATE	GBS DRN	CJT CHKD	CJT APPR
1	SUBMITTED TO NH DOE					



3178, 34.5kV LINE
STATE OWNED LAND CROSSING
WINCHESTER, NEW HAMPSHIRE
EXHIBIT 3

D	1
DRAWN	GBS
ENGINEER	CJT
CHECKED	CJT
APPROVED	CJT
DATE	4/2/24

SCALE	AS SHOWN	FILE: 04620-81001.DWG	DRAWING NO.	04620-81001
-------	----------	-----------------------	-------------	-------------