

**LEGEND:**

- 380 LINE: - - - - -
- 380 STR: 4

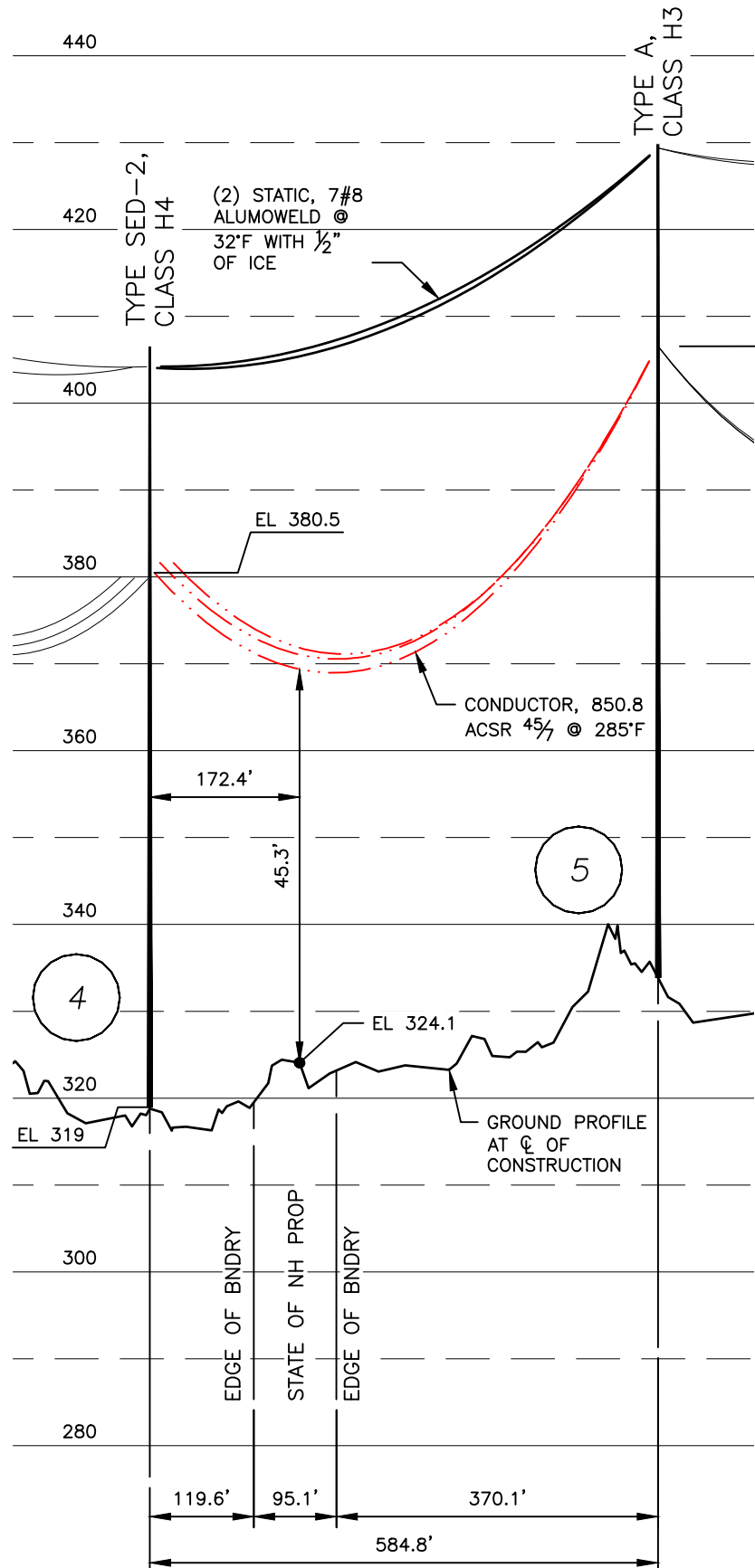


380, 345kV LINE  
STATE OWNED LAND CROSSING, LOCATION PLAN  
LONDONDERRY, NEW HAMPSHIRE  
EXHIBIT 1

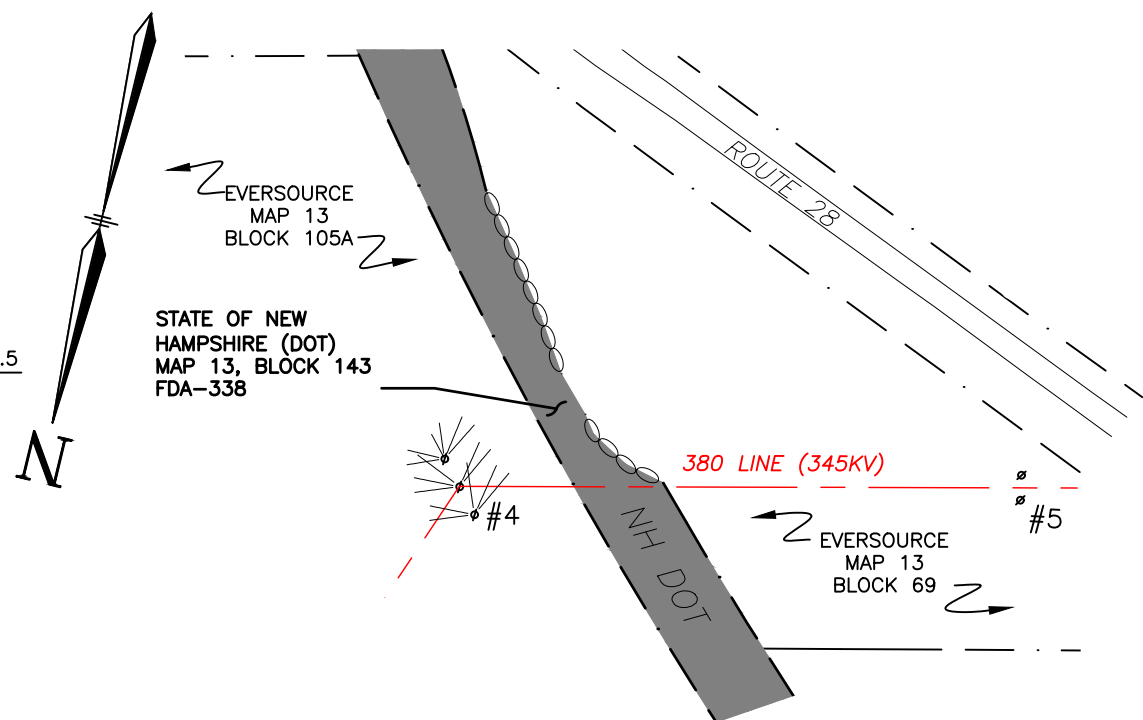
T	1
DRAWN	GBS
ENGINEER	SAC
CHECKED	SAC
APPROVED	SAC
DATE	12/06/23

DWG REV	EPN/DESCRIPTION	CONT/PE#	DATE	DRN	CHKD	APPR
1	SUBMITTED TO STATE DOE		12/06/23	GBS	SAC	SAC

SCALE 1" = 1500'	FILE: 04308-81001.DWG	DRAWING NO. 04308-81001
IMAGE:		



**PROFILE VIEW**  
SCALE: HORZ 1" = 200'  
VERT 1" = 20'



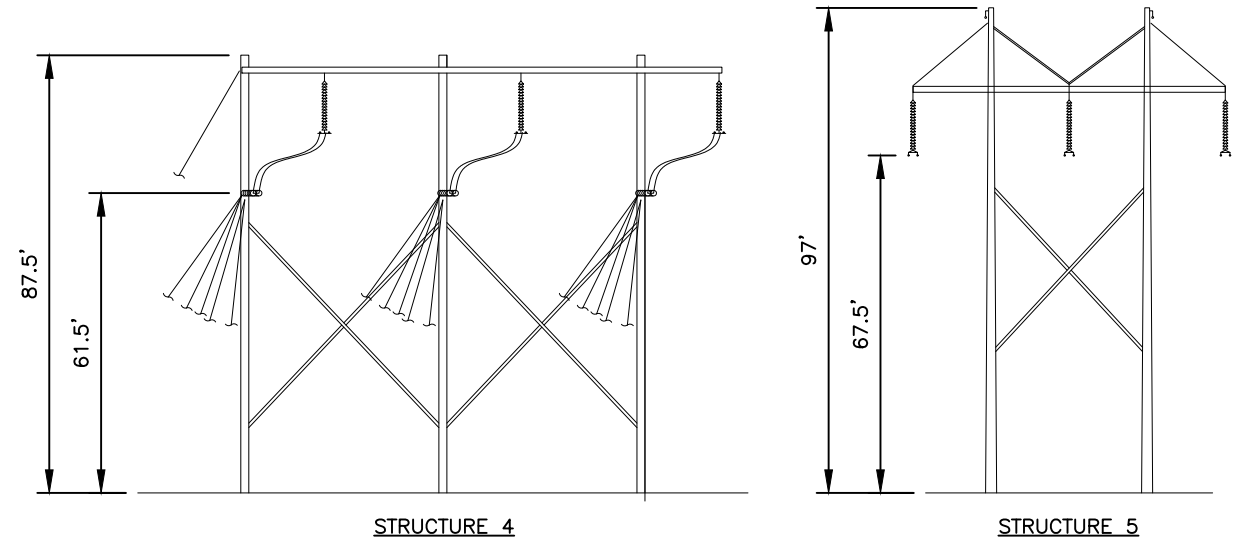
**PLAN VIEW**  
SCALE: 1" = 200'

**LEGEND:**

- STRUCTURE (WITH GUYS) #5
- STATE OF NEW HAMPSHIRE PROPERTY
- PROPERTY BOUNDARY
- 380 LINE 345KV LINE, C OF CONSTRUCTION

**NOTES:**

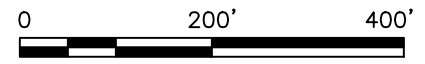
1. PARCEL INFORMATION FROM SITE SURVEY.
2. ELEVATIONS REFERENCED TO THE NORTH AMERICAN VERTICAL DATUM OF 1988.



STR 4: IS A EVERSOURCE TYPE SED-2, SINGLE CIRCUIT STEEL POLE DEAD END ANGLE, HORZ. CONFIG., GUYED

STR 5: IS A EVERSOURCE TYPE A, SINGLE CIRCUIT STEEL POLE TANGENT, HORZ. CONFIG.,

**STRUCTURE DETAIL**  
SCALE: NTS



STRUCTURE LOCATION		
STRUCTURE	LONGITUDE	LATITUDE
4	-71.34603730	42.90182544
5	-71.34816067	42.90145734

NESC VERTICAL CLEARANCE (FT) FROM TABLE 232.1	
NATURE OF SURFACE UNDERNEATH WIRES, CONDUCTORS OR CABLES	345KV
TOP OF TRACK	32.8

CABLE SCHEDULE						
WIRE	QTY OF CABLES	DESCRIPTION	DESIGN CONDITIONS			
			MAX DESIGN TENSION (lb)	TEMP (°F)	ICE (in)	WIND (psf)
CONDUCTOR	3	ACSR, 850.8 kcmil 45/7, BUZZARD	7000	0	0.5	4
STATIC	2	7#8 AW	5500	0	0.5	4

DWG REV	EPN/DESCRIPTION	CONT/PE#	DATE	DRN	CHKD	APPR
1	SUBMITTED TO STATE DOE		12/06/23	GBS	SAC	SAC

EVERSOURCE ENERGY

380, 345kV LINE  
STATE OWNED LAND CROSSING  
LONDONDERRY, NEW HAMPSHIRE  
EXHIBIT 2

SCALE AS SHOWN	FILE: 04308-81001.DWG IMAGE:	DRAWING NO. <b>04308-81001</b>
-------------------	---------------------------------	-----------------------------------