

LEGEND:

- R169 LINE:
- R169 STR:



R169, 115kV LINE
 STATE OWNED LAND & PUBLIC WATER CROSSING
 DOVER, NEW HAMPSHIRE & ELIOT, MAINE
 EXHIBIT 1

T	1
DRAWN	
RAV/RLC	
ENGINEER	
CRP/RLC	
CHECKED	
JJD/RLC	
APPROVED	
CJT/ES	
DATE	
12/15/2023	

DWG REV	EPN/DESCRIPTION	CONT/PE#	DATE	DRN	CHKD	APPR
1	ISSUED FOR DOE		01/25/24	RAV	JJD	CJT

SCALE	FILE: 04070-85002.DWG
1" = 5500'	IMAGE:

DRAWING NO.
04070-85002

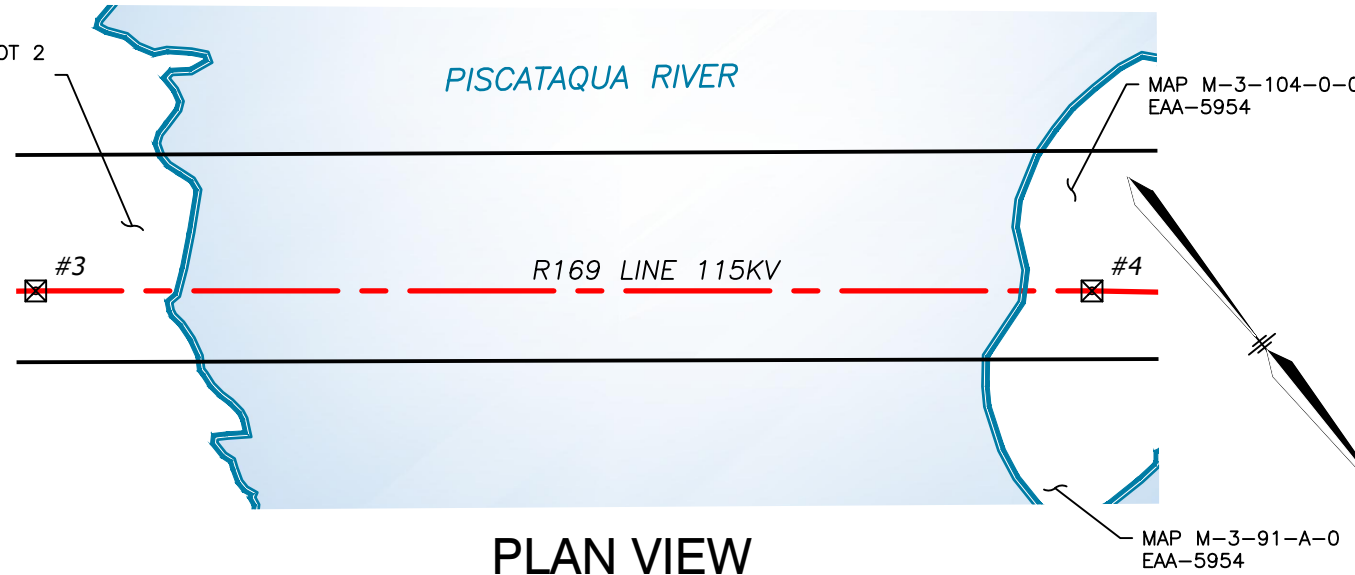
ELIOT, ME DOVER, NH

LEGEND:

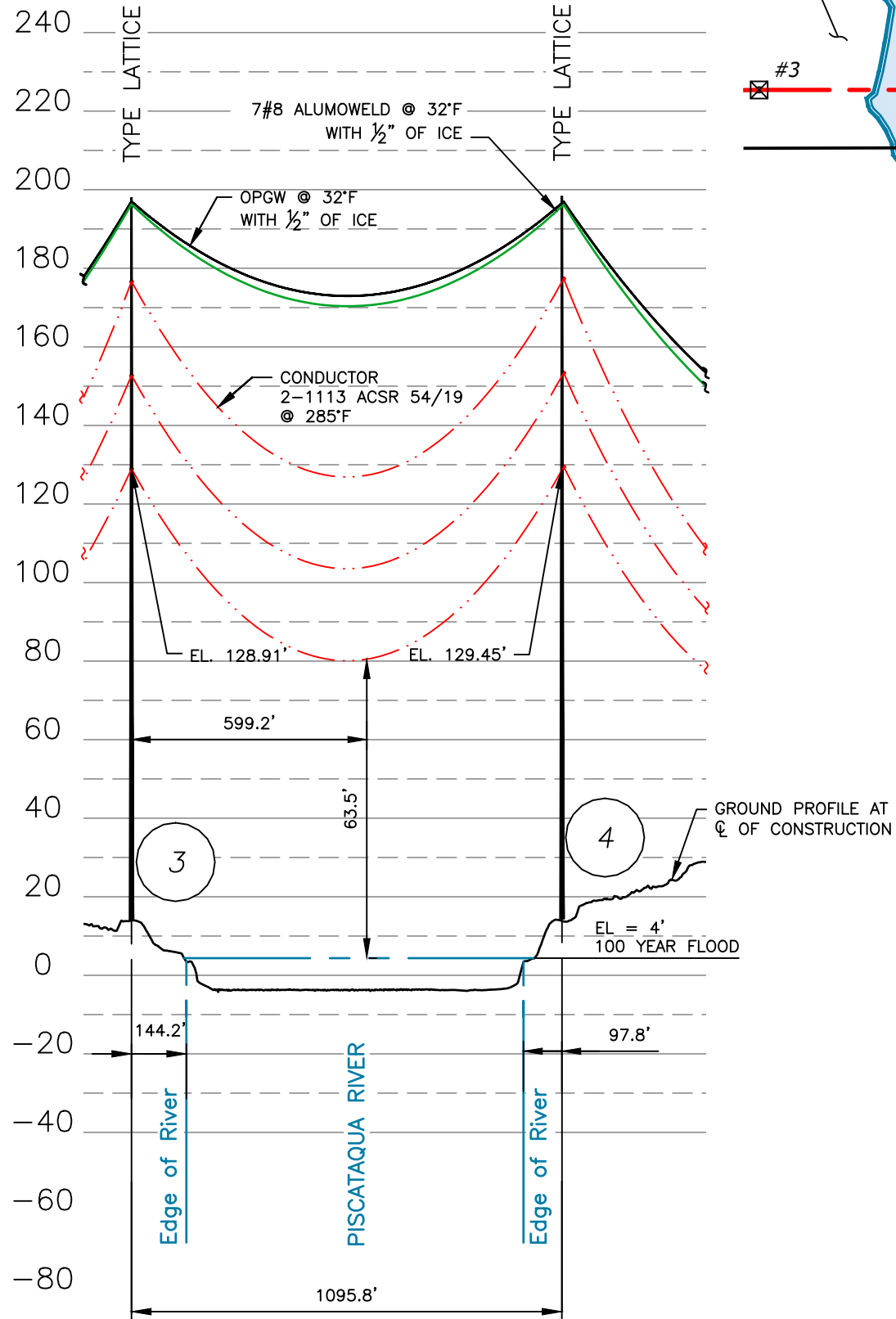
- ☒ #3 STRUCTURE
- STATE OF NEW HAMPSHIRE PROPERTY
- R169 LINE 115KV LINE, ☐ OF CONSTRUCTION
- LIMITS OF EVERSOURCE RIGHT OF WAY
- PROPERTY LINE
- WATER

NOTES:

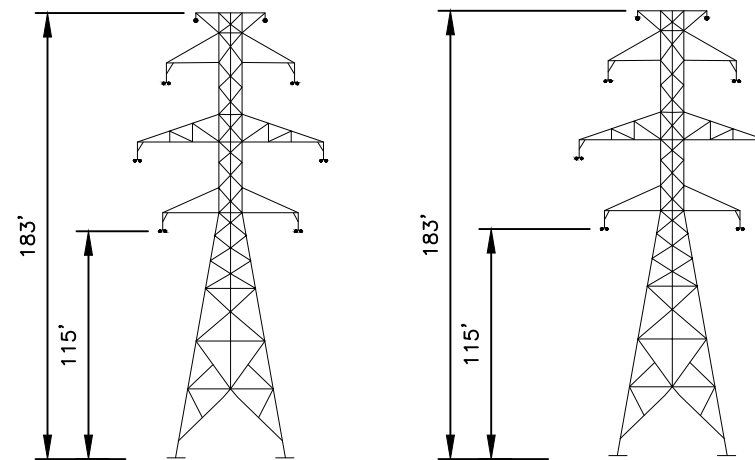
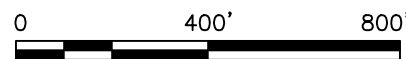
1. PARCEL INFORMATION PROVIDED BY NH GRANIT.
2. ELEVATIONS REFERENCED TO THE NORTH AMERICAN VERTICAL DATUM OF 1988.
3. THE 100 YEAR FLOOD ELEVATION FROM THE FEMA FLOOD MAP SERVICE CENTER, NATIONAL FLOOD HAZARD LAYER FIRMETTE, 09/30/2015 IS A ZONE A, FLOOD MAP 33017C0230E.



PLAN VIEW
SCALE: 1" = 200'



PROFILE VIEW
SCALE: HORZ 1" = 400'
VERT 1" = 40'



STRUCTURE 3
TYPE LATTICE
STR 3: IS AN EVERSOURCE TYPE LATTICE, DOUBLE CIRCUIT LATTICE TOWER TANGENT, VERTICAL CONFIG.

STRUCTURE 4
TYPE LATTICE
STR 4: IS AN EVERSOURCE TYPE LATTICE, DOUBLE CIRCUIT LATTICE TOWER TANGENT, VERTICAL CONFIG.

STRUCTURE DETAIL
SCALE: NTS

STRUCTURE LOCATION		
STRUCTURE	LONGITUDE	LATITUDE
3	-70.82451330	43.17091326
4	-70.82770263	43.17282635

NESC VERTICAL CLEARANCE (FT) FROM TABLE 232.1, C2-2017	
NATURE OF SURFACE UNDERNEATH WIRES, CONDUCTORS OR CABLES	115kV
WATER AREAS SUITABLE FOR SAIL BOATING INCLUDING LAKES, PONDS, RESERVOIRS, TIDAL WATERS, RIVERS, STREAMS, AND CANALS WITH AN UNUPSTRUCTED SURFACE AREA OF: OVER 2000 ACRES	37.5

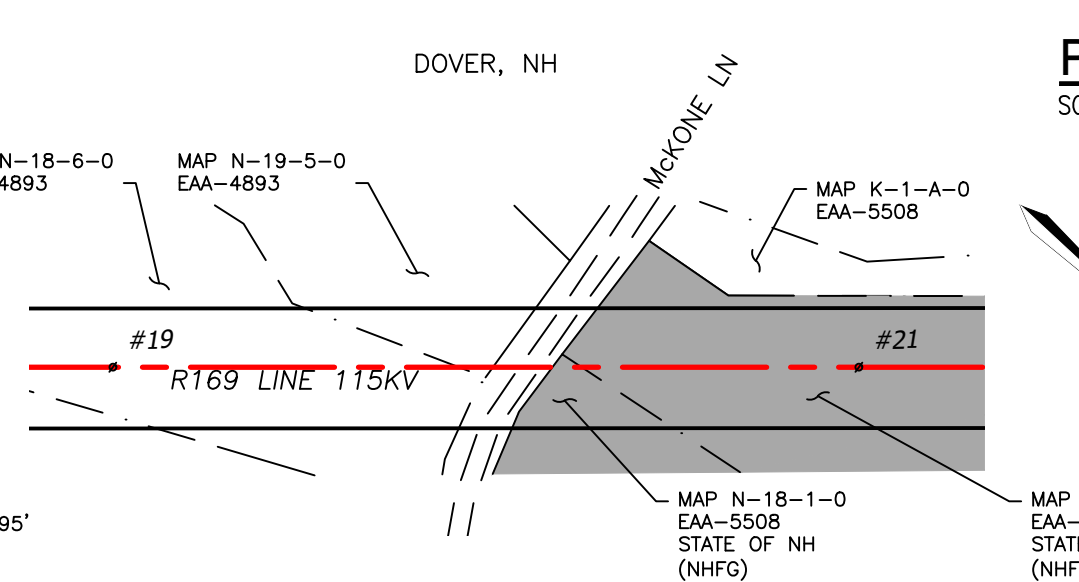
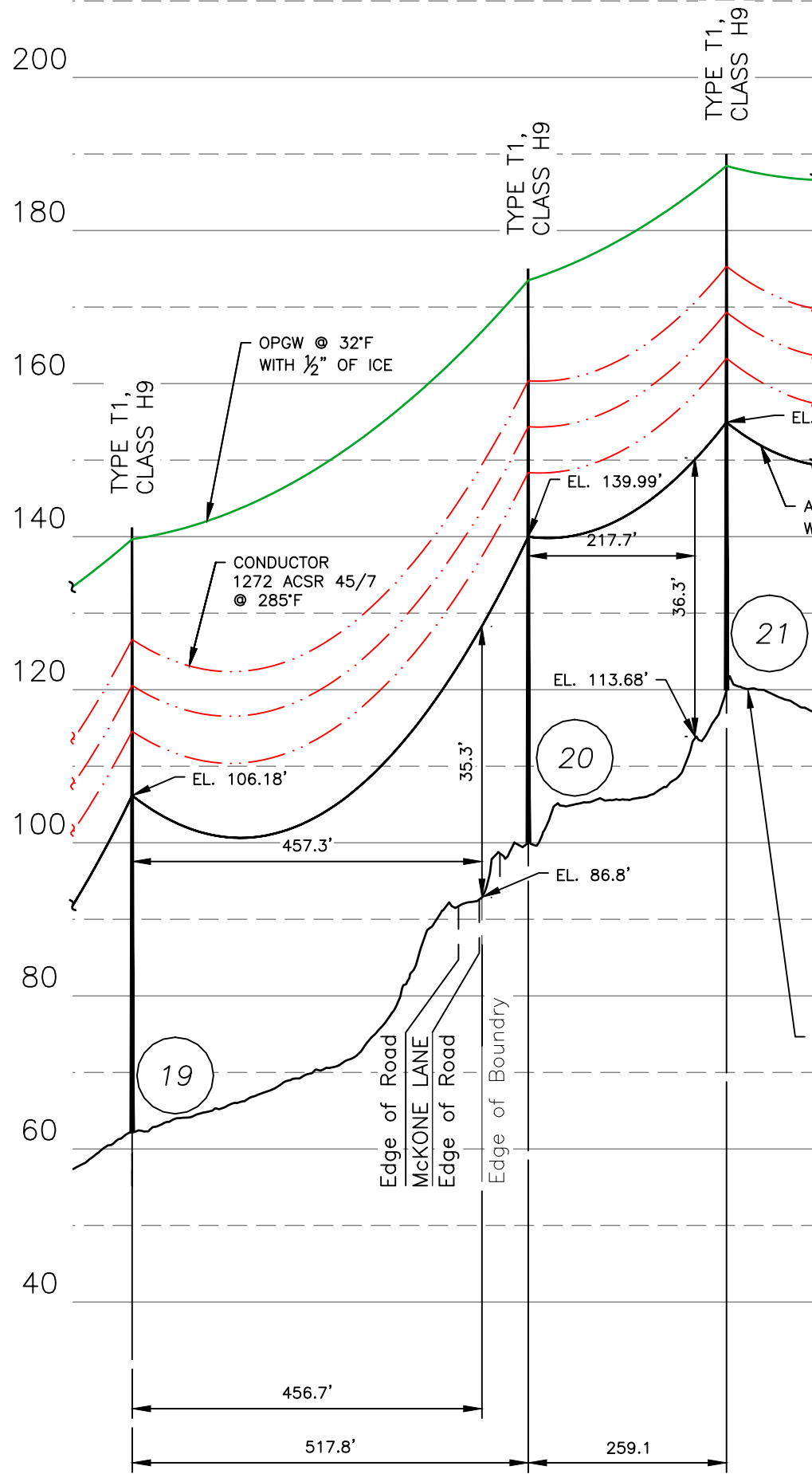
CABLE SCHEDULE						
WIRE	QTY OF CABLES	DESCRIPTION	DESIGN CONDITIONS			
			MAX DESIGN TENSION (lb)	TEMP (°F)	ICE (in)	WIND (psf)
CONDUCTOR	6	ACSR, 2-1113 kcmil 54/19, FINCH	11500	0	0.5	4
OPGW	1	AFL OPGW DNO-11852 53-81/69/646	7000	0	0.5	4
STATIC	1	7#8 AW	5200	0	0.5	4

EVERSOURCE ENERGY

R169, 115kV LINE
PISCATAQUA RIVER CROSSING
ELIOT, MAINE & DOVER, NH
EXHIBIT 2

DRAWN RAV/RLC	T 1
ENGINEER CRP/RLC	CHECKED JJD/RLC
APPROVED CJT/ES	DATE 12/15/2023

DWG REV	ISSUED FOR DOE	EPN/DESCRIPTION	CONT/PE#	DATE	DRN	CHKD	APPR
1				01/25/24	RAV	JJD	CJT

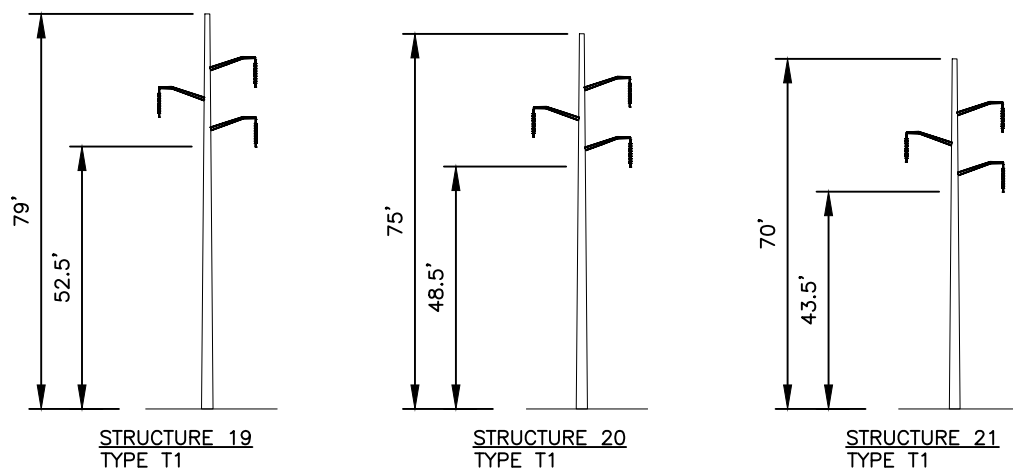


PLAN VIEW

SCALE: 1" = 200'

LEGEND:

- #19 STRUCTURE
- STATE OF NEW HAMPSHIRE PROPERTY
- R169 LINE 115KV LINE, ϕ OF CONSTRUCTION
- LIMITS OF EVERSOURCE RIGHT OF WAY
- PROPERTY LINE
- ROAD, PAVED



STRUCTURE DETAIL

SCALE: NTS

STR 19: IS AN EVERSOURCE TYPE T1, SINGLE CIRCUIT STEEL TANGENT, DELTA CONFIG.
 STR 20: IS AN EVERSOURCE TYPE T1, SINGLE CIRCUIT STEEL TANGENT, DELTA CONFIG.
 STR 21: IS AN EVERSOURCE TYPE T1, SINGLE CIRCUIT STEEL TANGENT, DELTA CONFIG.

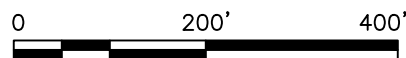
STRUCTURE LOCATION		
STRUCTURE	LONGITUDE	LATITUDE
19	-70.85044671	43.18777973
20	-70.85175431	43.18882983
21	-70.85240867	43.18935532

NESC VERTICAL CLEARANCE (FT) FROM TABLE 232.1, C2-2017	
NATURE OF SURFACE UNDERNEATH WIRES, CONDUCTORS OR CABLES	ADSS (Okv)
OTHERS AREAS TRAVERSED BY VEHICLES, SUCH AS CULTIVATED, GRAZING, FOREST, AND ORCHARD LAND, INDUSTRIAL SITES, COMMERCIAL SITES ETC	15.5

CABLE SCHEDULE						
WIRE	QTY OF CABLES	DESCRIPTION	DESIGN CONDITIONS			
			MAX DESIGN TENSION (lb)	TEMP (°F)	ICE (in)	WIND (psf)
CONDUCTOR	3	ACSR, 1272 kcmil 45/7, BITTERN	10500	0	0.5	4
OPGW	1	DNO-11852	5000	0	0.5	4
ADSS	1	OFS AT-XXX27DT-064	2300	0	0.5	4

PROFILE VIEW

SCALE: HORZ 1" = 200'
VERT 1" = 20'



NOTES:

1. PARCEL INFORMATION PROVIDED BY NH GRANIT.
2. ELEVATIONS REFERENCED TO THE NORTH AMERICAN VERTICAL DATUM OF 1988.



R169, 115kV LINE
STATE OWNED LAND CROSSING
DOVER, NEW HAMPSHIRE
EXHIBIT 3

T	1
DRAWN	NEB/RLC
ENGINEER	CRP/RLC
CHECKED	JJD/RLC
APPROVED	CJT/ES
DATE	12/11/2023

DWG REV	ISSUED FOR DOE	FILE: 04070-85002.DWG	01/25/24	NEB	JJD	CJT
EPN/DESCRIPTION	CONT/PE#	DATE	DRN	CHKD	APPR	

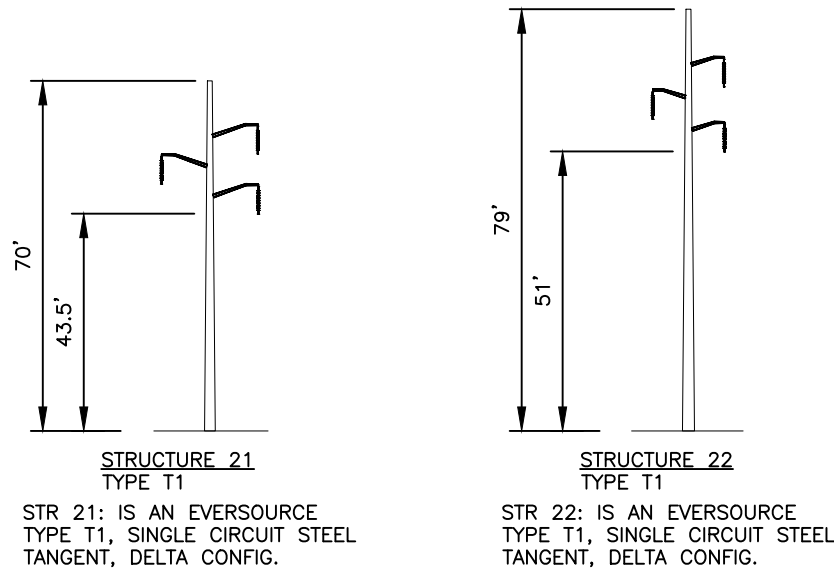
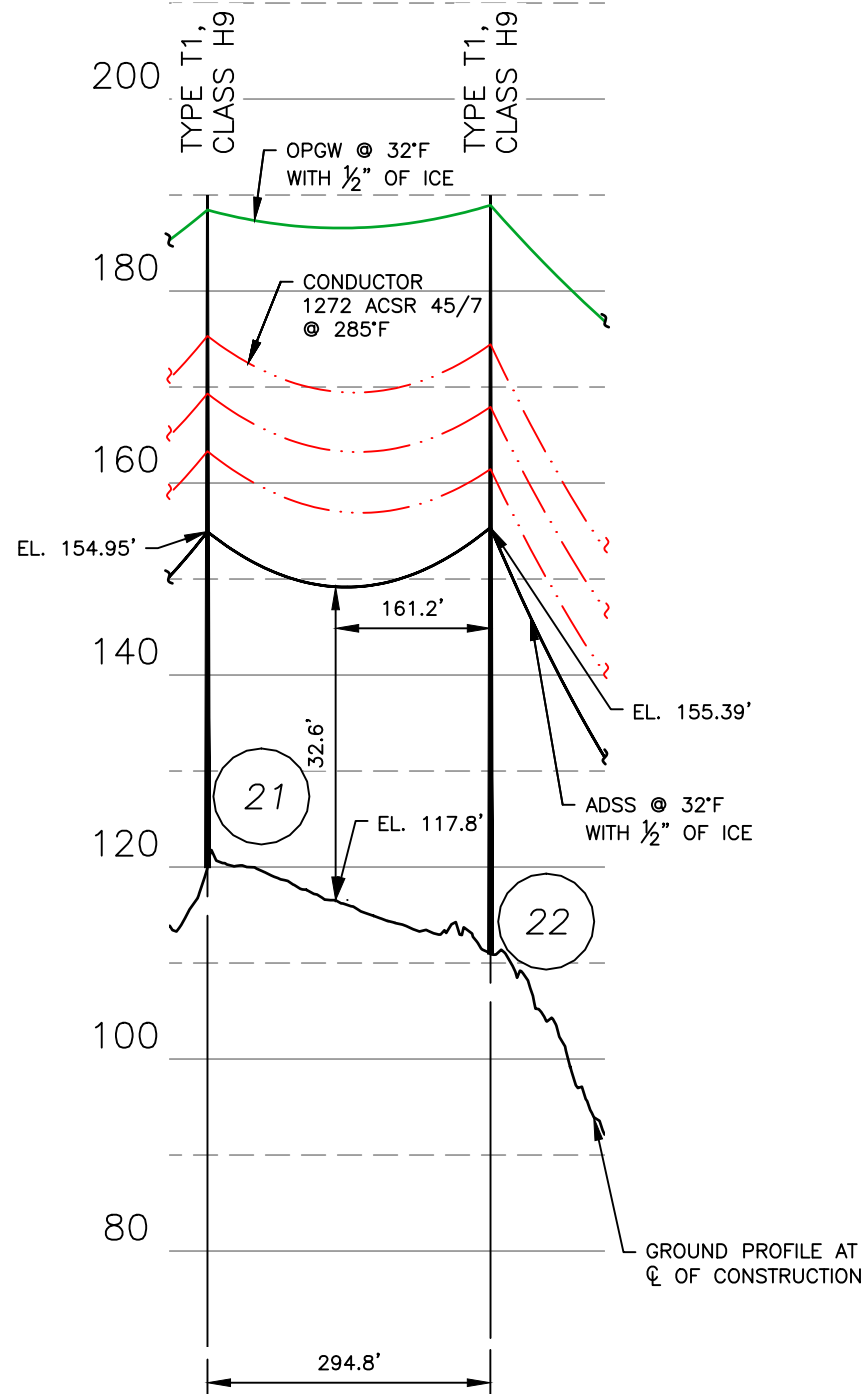
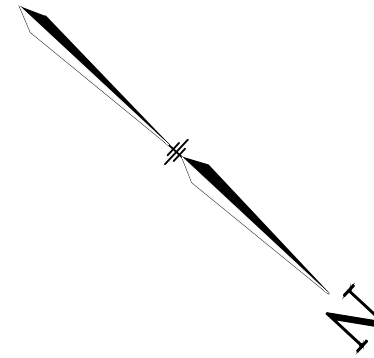
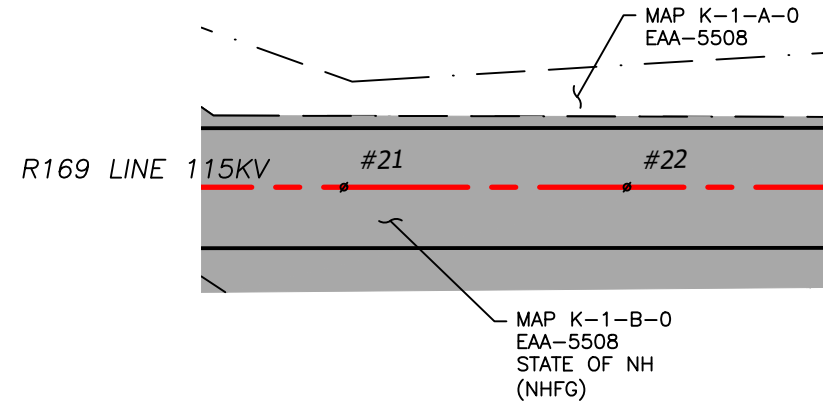
DOVER, NH

PLAN VIEW

SCALE: 1" = 200'

LEGEND:

- #21 STRUCTURE
- STATE OF NEW HAMPSHIRE PROPERTY
- R169 LINE 115KV LINE, ϕ OF CONSTRUCTION
- LIMITS OF EVERSOURCE RIGHT OF WAY
- PROPERTY LINE



STRUCTURE DETAIL

SCALE: NTS

STRUCTURE LOCATION		
STRUCTURE	LONGITUDE	LATITUDE
21	-70.85240867	43.18935532
22	-70.85315301	43.18995305

NESC VERTICAL CLEARANCE (FT) FROM TABLE 232.1, C2-2017	
NATURE OF SURFACE UNDERNEATH WIRES, CONDUCTORS OR CABLES	ADSS (OKV)
OTHERS AREAS TRAVERSED BY VEHICLES, SUCH AS CULTIVATED, GRAZING, FOREST, AND ORCHARD LAND, INDUSTRIAL SITES, COMMERCIAL SITES ETC	15.5

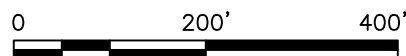
CABLE SCHEDULE						
WIRE	QTY OF CABLES	DESCRIPTION	DESIGN CONDITIONS			
			MAX DESIGN TENSION (lb)	TEMP (°F)	ICE (in)	WIND (psf)
CONDUCTOR	3	ACSR, 1272 kcmil 45/7, BITTERN	10500	0	0.5	4
OPGW	1	DNO-11852	5000	0	0.5	4
ADSS	1	OFS AT-XXX27DT-064	2300	0	0.5	4

NOTES:

1. PARCEL INFORMATION PROVIDED BY NH GRANIT.
2. ELEVATIONS REFERENCED TO THE NORTH AMERICAN VERTICAL DATUM OF 1988.

PROFILE VIEW

SCALE: HORZ 1" = 200'
VERT 1" = 20'



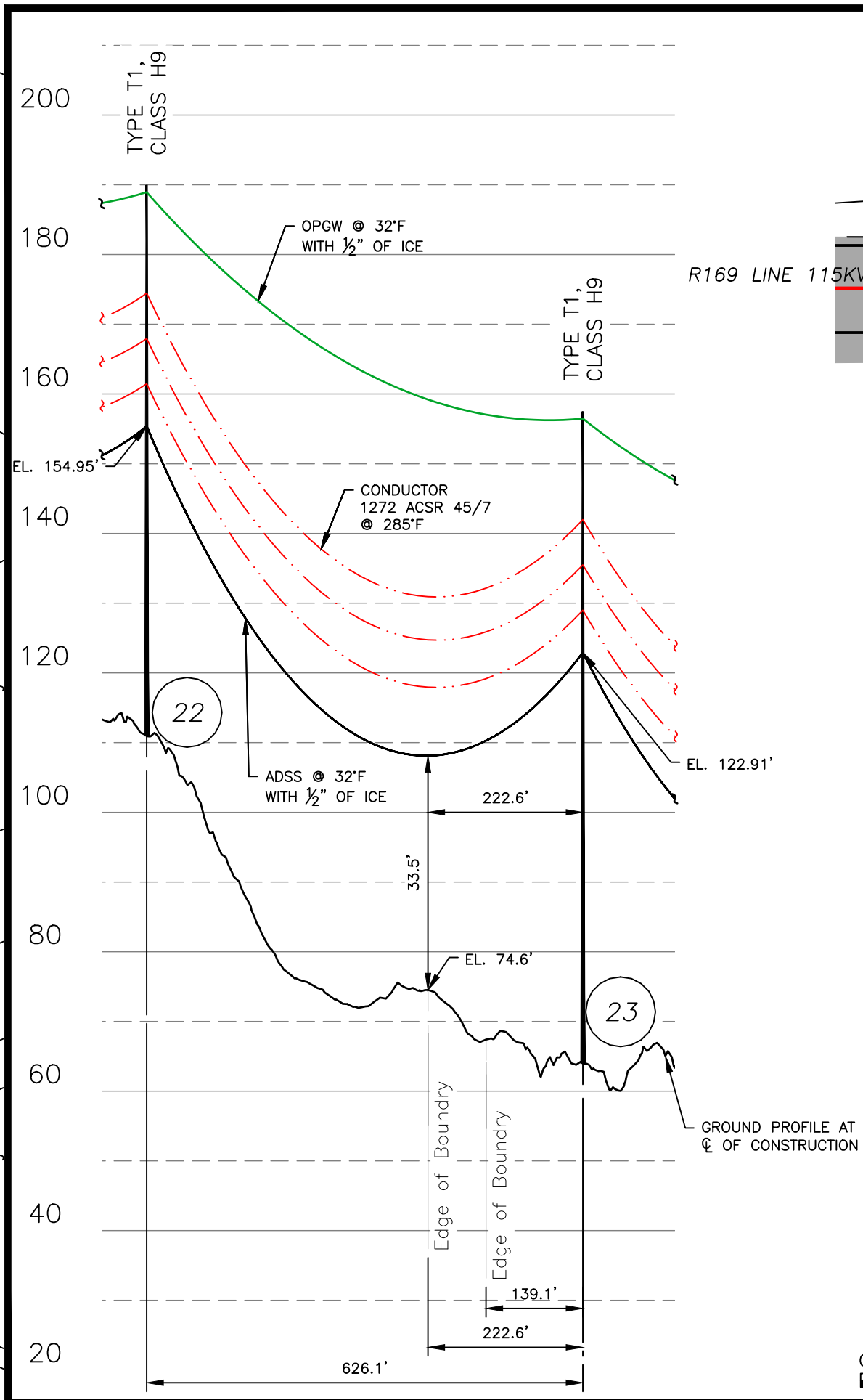
EVERSOURCE ENERGY

R169, 115kV LINE
STATE OWNED LAND CROSSING
DOVER, NEW HAMPSHIRE
EXHIBIT 4

T	1
DRAWN	NEB/RLC
ENGINEER	CRP/RLC
CHECKED	JJD/RLC
APPROVED	CJT/ES
DATE	12/11/2023

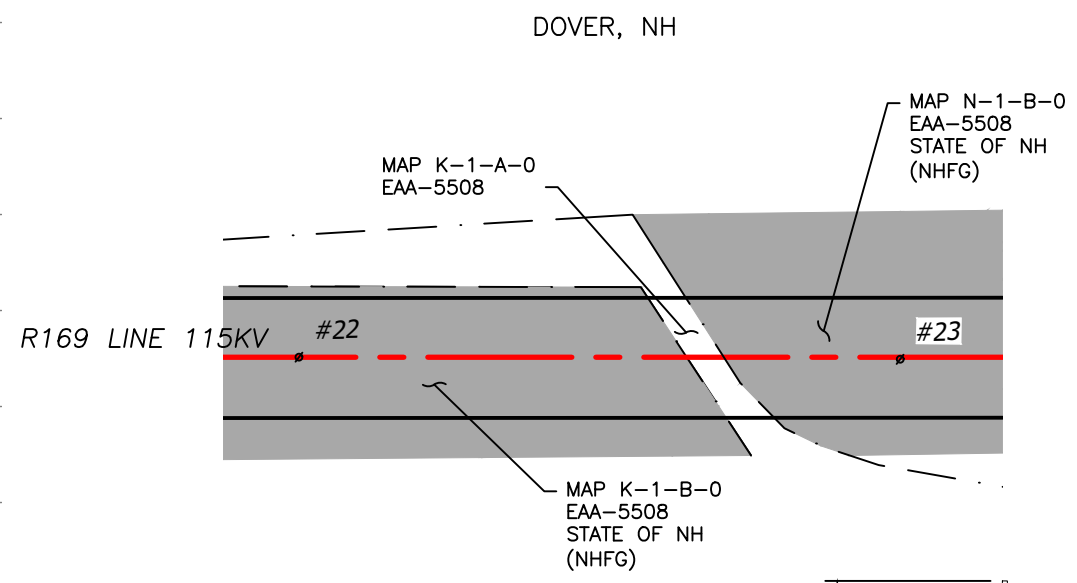
DWG REV	ISSUED FOR	EPN/DESCRIPTION	CONT/PE#	DATE	DRN	CHKD	APPR
1	ISSUED FOR DOE			01/25/24	NEB	JJD	CJT

SCALE AS SHOWN
FILE: 04070-85002.DWG
DRAWING NO. 04070-85002



PROFILE VIEW
SCALE: HORZ 1" = 200'
VERT 1" = 20'

DOVER, NH



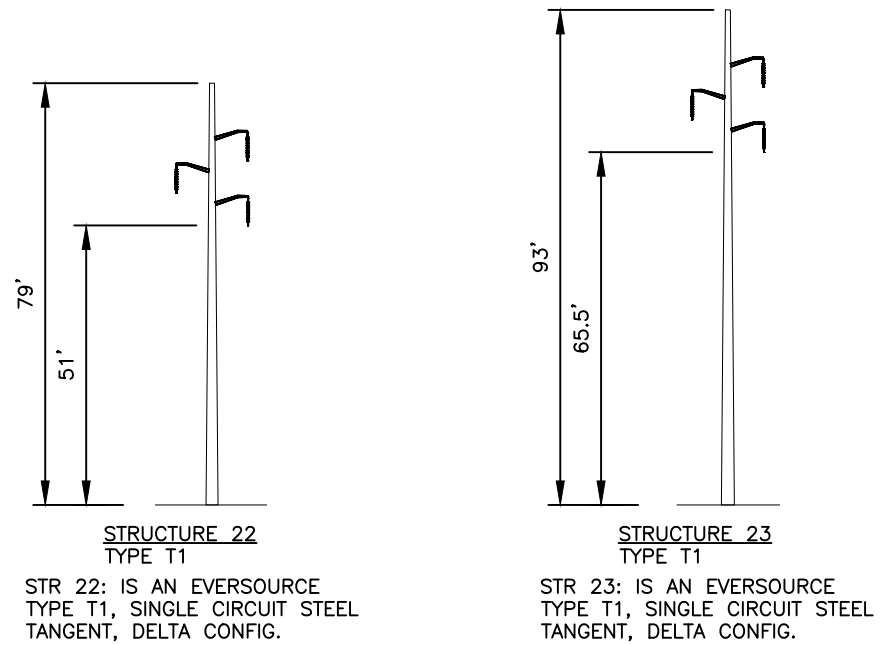
PLAN VIEW
SCALE: 1" = 200'

LEGEND:

- #23 STRUCTURE
- STATE OF NEW HAMPSHIRE PROPERTY
- R169 LINE 115KV LINE, ϕ OF CONSTRUCTION
- LIMITS OF EVERSOURCE RIGHT OF WAY
- PROPERTY LINE

STRUCTURE LOCATION		
STRUCTURE	LONGITUDE	LATITUDE
22	-70.85315301	43.18995305
23	-70.8472805	43.19122688

NESC VERTICAL CLEARANCE (FT) FROM TABLE 232.1, C2-2017	
NATURE OF SURFACE UNDERNEATH WIRES, CONDUCTORS OR CABLES	ADSS (Okv)
OTHERS AREAS TRAVERSED BY VEHICLES, SUCH AS CULTIVATED, GRAZING, FOREST, AND ORCHARD LAND, INDUSTRIAL SITES, COMMERCIAL SITES ETC	15.5



STRUCTURE DETAIL
SCALE: NTS

CABLE SCHEDULE						
WIRE	QTY OF CABLES	DESCRIPTION	DESIGN CONDITIONS			
			MAX DESIGN TENSION (lb)	TEMP (°F)	ICE (in)	WIND (psf)
CONDUCTOR	3	ACSR, 1272 kcmil 45/7, BITTERN	10500	0	0.5	4
OPGW	1	DNO-11852	5000	0	0.5	4
ADSS	1	OFS AT-XXX27DT-064	2300	0	0.5	4

- NOTES:**
- PARCEL INFORMATION PROVIDED BY NH GRANIT.
 - ELEVATIONS REFERENCED TO THE NORTH AMERICAN VERTICAL DATUM OF 1988.

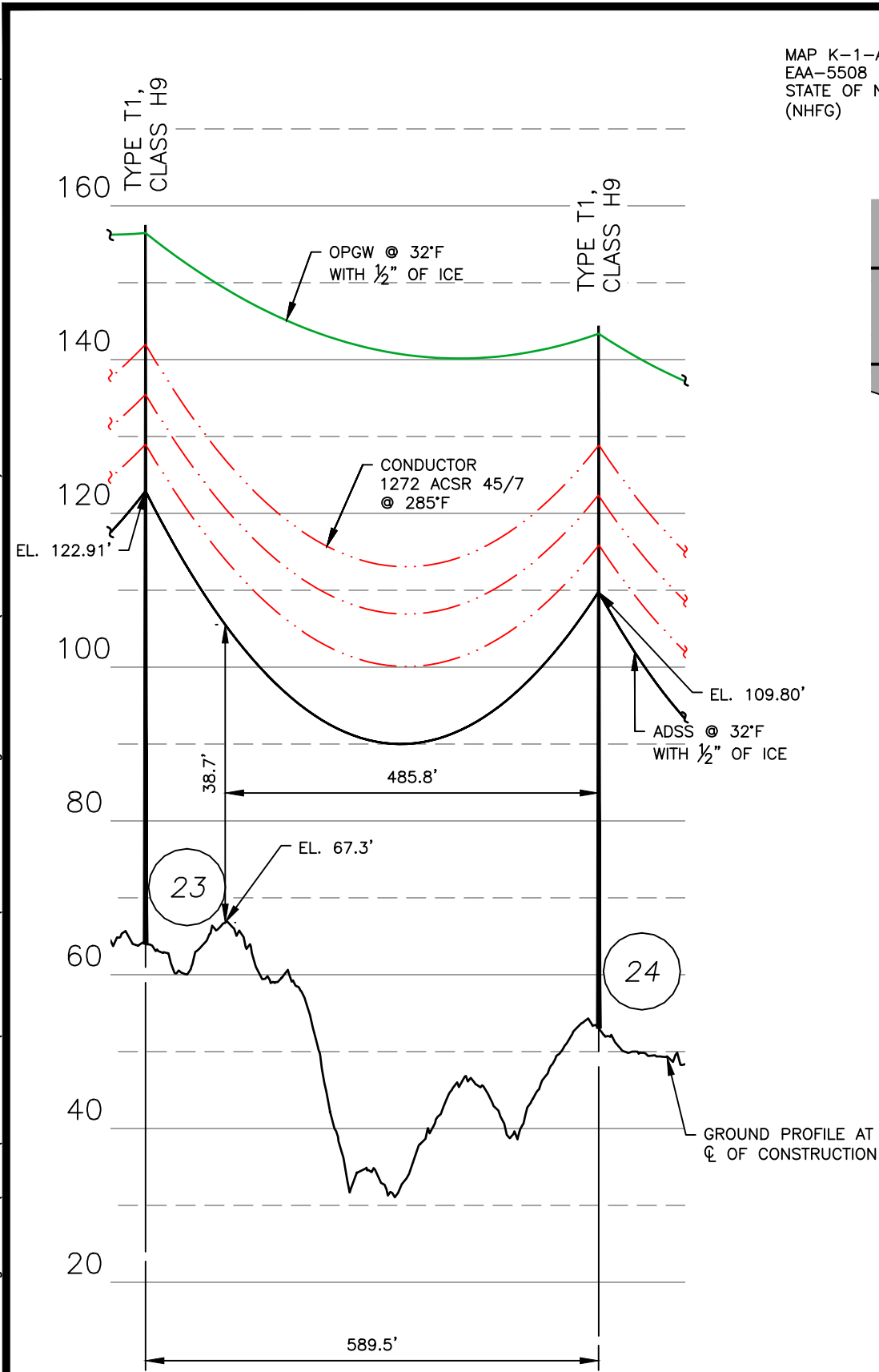
DWG REV	ISSUED FOR DOE	EPN/DESCRIPTION	CONT/PE#	DATE	DRN	CHKD	APPR
1				01/25/24	NEB	JJD	CJT

EVERSOURCE ENERGY

R169, 115kV LINE
STATE OWNED LAND CROSSING
DOVER, NEW HAMPSHIRE
EXHIBIT 5

T	1
DRAWN	NEB/RLC
ENGINEER	CRP/RLC
CHECKED	JJD/RLC
APPROVED	CJT/ES
DATE	12/11/2023

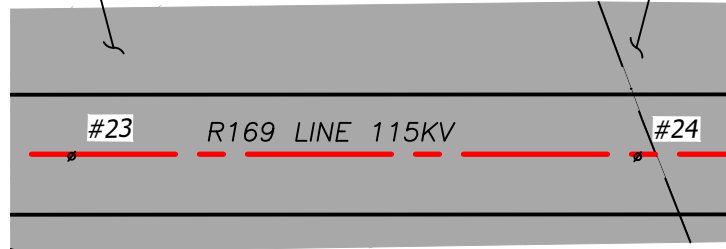
SCALE AS SHOWN FILE: 04070-85002.DWG DRAWING NO. 04070-85002



MAP K-1-A-1
EAA-5508
STATE OF NH
(NHFG)

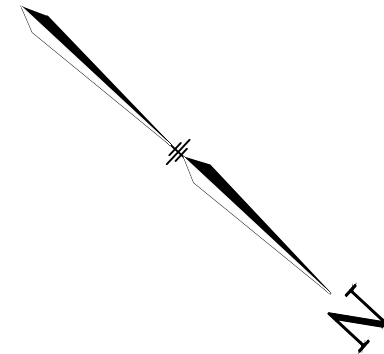
DOVER, NH

MAP K-2-0-0
EAA-5769
STATE OF NH
(NHFG)



PLAN VIEW

SCALE: 1" = 200'

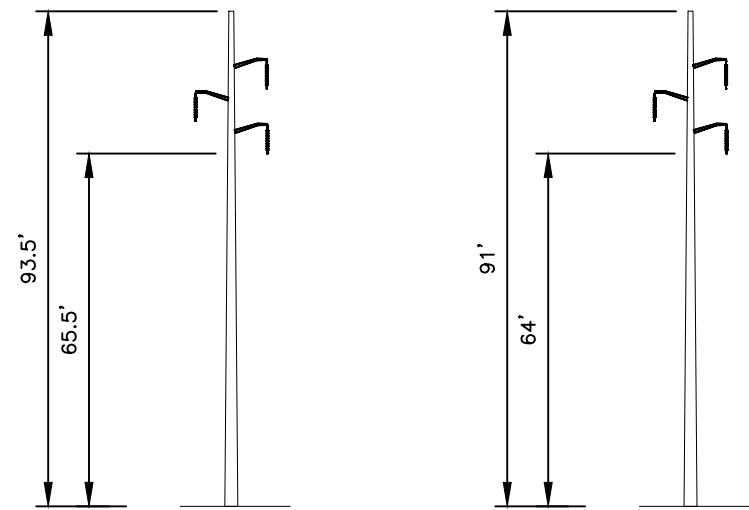


LEGEND:

- #23 STRUCTURE
- STATE OF NEW HAMPSHIRE PROPERTY
- R169 LINE 115KV LINE, ϕ OF CONSTRUCTION
- LIMITS OF EVERSOURCE RIGHT OF WAY
- PROPERTY LINE

STRUCTURE LOCATION		
STRUCTURE	LONGITUDE	LATITUDE
23	-70.8472805	43.19122688
24	-70.85621549	43.19242334

NESC VERTICAL CLEARANCE (FT) FROM TABLE 232.1, C2-2017	
NATURE OF SURFACE UNDERNEATH WIRES, CONDUCTORS OR CABLES	ADSS (Okv)
OTHERS AREAS TRAVERSED BY VEHICLES, SUCH AS CULTIVATED, GRAZING, FOREST, AND ORCHARD LAND, INDUSTRIAL SITES, COMMERCIAL SITES ETC	15.5



STRUCTURE 23
TYPE T1
STR 23: IS AN EVERSOURCE TYPE T1, SINGLE CIRCUIT STEEL TANGENT, DELTA CONFIG.

STRUCTURE 24
TYPE T1
STR 24: IS AN EVERSOURCE TYPE T1, SINGLE CIRCUIT STEEL TANGENT, DELTA CONFIG.

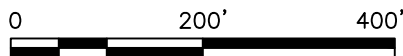
STRUCTURE DETAIL

SCALE: NTS

CABLE SCHEDULE						
WIRE	QTY OF CABLES	DESCRIPTION	DESIGN CONDITIONS			
			MAX DESIGN TENSION (lb)	TEMP (°F)	ICE (in)	WIND (psf)
CONDUCTOR	3	ACSR, 1272 kcmil 45/7, BITTERN	10500	0	0.5	4
OPGW	1	DNO-11852	5000	0	0.5	4
ADSS	1	OFS AT-XXX27DT-064	2300	0	0.5	4

PROFILE VIEW

SCALE: HORZ 1" = 200'
VERT 1" = 20'



NOTES:

- PARCEL INFORMATION PROVIDED BY NH GRANIT.
- ELEVATIONS REFERENCED TO THE NORTH AMERICAN VERTICAL DATUM OF 1988.

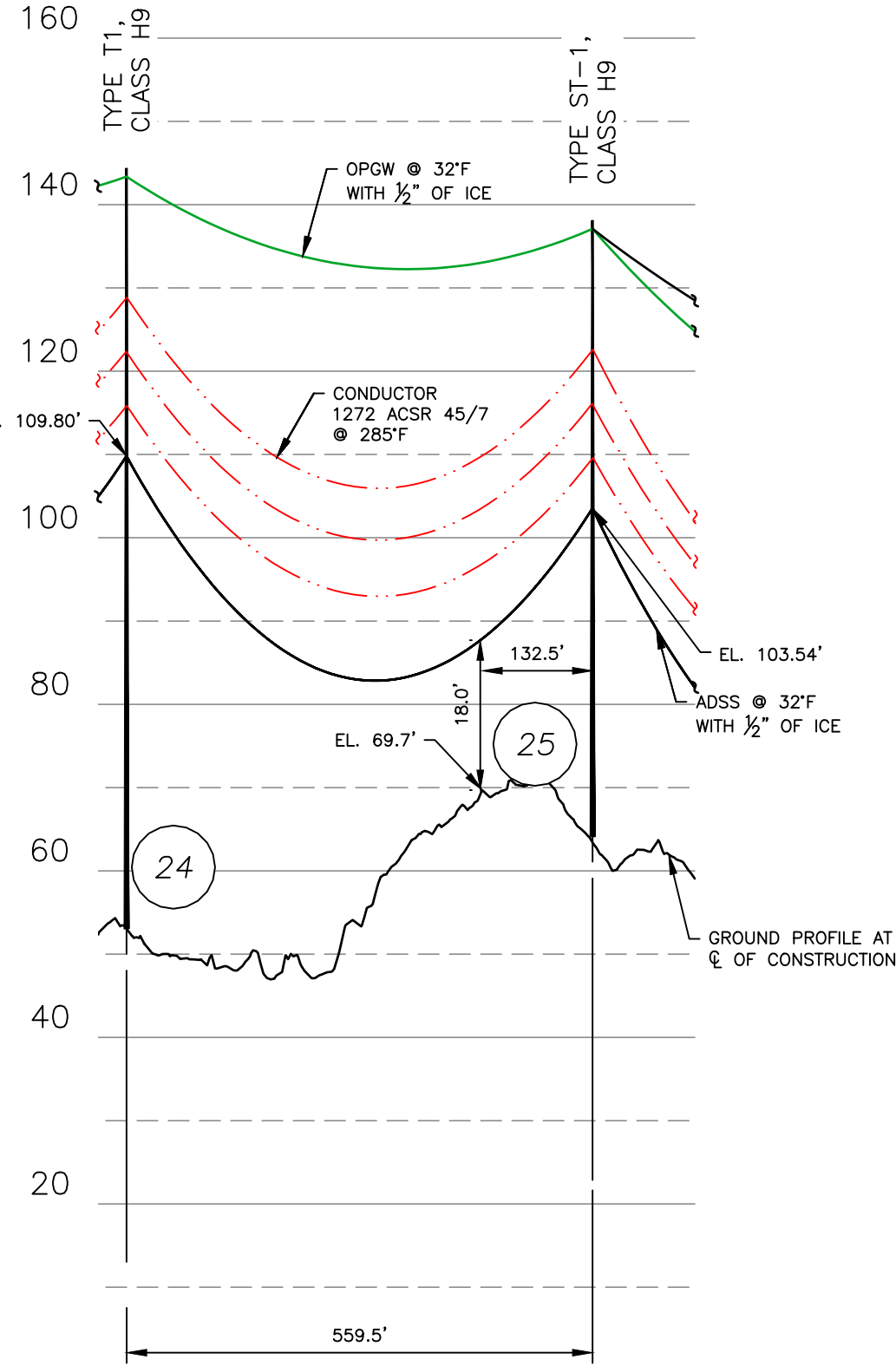
1	ISSUED FOR DOE	01/25/24	NEB	JJD	CJT
DWG REV	EPN/DESCRIPTION	CONT/PE#	DATE	DRN	CHKD

EVERSOURCE ENERGY

R169, 115kV LINE
STATE OWNED LAND CROSSING
DOVER, NEW HAMPSHIRE
EXHIBIT 6

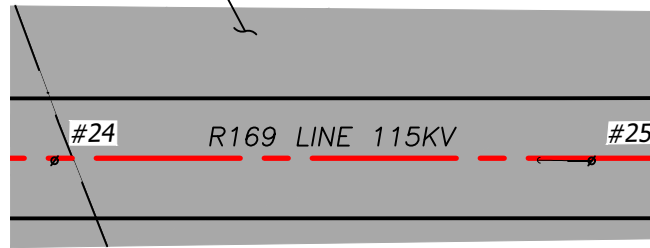
DRAWN NEB/RLC	T 1
ENGINEER CRP/RLC	
CHECKED JJD/RLC	
APPROVED CJT/ES	
DATE 12/11/2023	

SCALE AS SHOWN	FILE: 04070-85002.DWG IMAGE:	DRAWING NO. 04070-85002
-------------------	---------------------------------	-----------------------------------



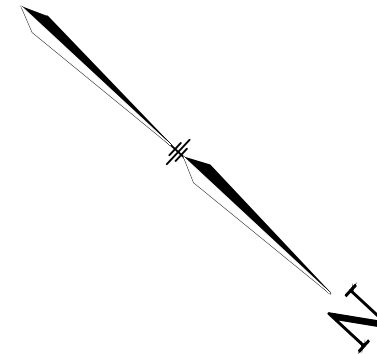
DOVER, NH

MAP K-2-0-0
EAA-5769
STATE OF NH
(NHFG)



PLAN VIEW

SCALE: 1" = 200'

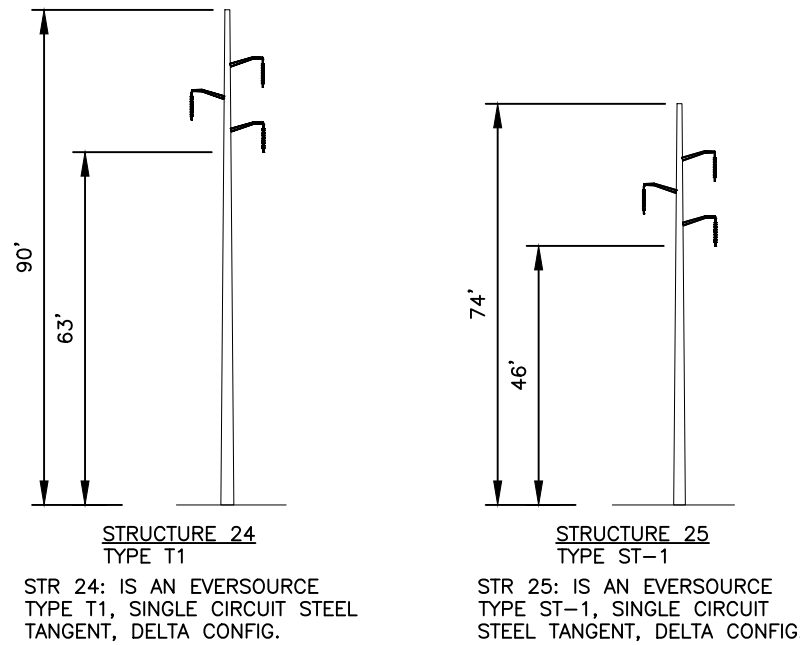


LEGEND:

- #24 STRUCTURE
- STATE OF NEW HAMPSHIRE PROPERTY
- R169 LINE 115KV LINE, ϕ OF CONSTRUCTION
- LIMITS OF EVERSOURCE RIGHT OF WAY
- PROPERTY LINE

STRUCTURE LOCATION		
STRUCTURE	LONGITUDE	LATITUDE
24	-70.85621549	43.19242334
25	-70.85762821	43.19355803

NESC VERTICAL CLEARANCE (FT) FROM TABLE 232.1, C2-2017	
NATURE OF SURFACE UNDERNEATH WIRES, CONDUCTORS OR CABLES	ADSS (Okv)
OTHERS AREAS TRAVERSED BY VEHICLES, SUCH AS CULTIVATED, GRAZING, FOREST, AND ORCHARD LAND, INDUSTRIAL SITES, COMMERCIAL SITES ETC	15.5



STRUCTURE DETAIL

SCALE: NTS

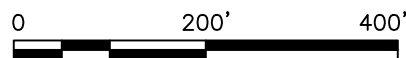
CABLE SCHEDULE						
WIRE	QTY OF CABLES	DESCRIPTION	DESIGN CONDITIONS			
			MAX DESIGN TENSION (lb)	TEMP (°F)	ICE (in)	WIND (psf)
CONDUCTOR	3	ACSR, 1272 kcmil 45/7, BITTERN	10500	0	0.5	4
OPGW	1	DNO-11852	5000	0	0.5	4
ADSS	1	OFS AT-XXX27DT-064	2300	0	0.5	4

NOTES:

1. PARCEL INFORMATION PROVIDED BY NH GRANIT.
2. ELEVATIONS REFERENCED TO THE NORTH AMERICAN VERTICAL DATUM OF 1988.

PROFILE VIEW

SCALE: HORZ 1" = 200'
VERT 1" = 20'



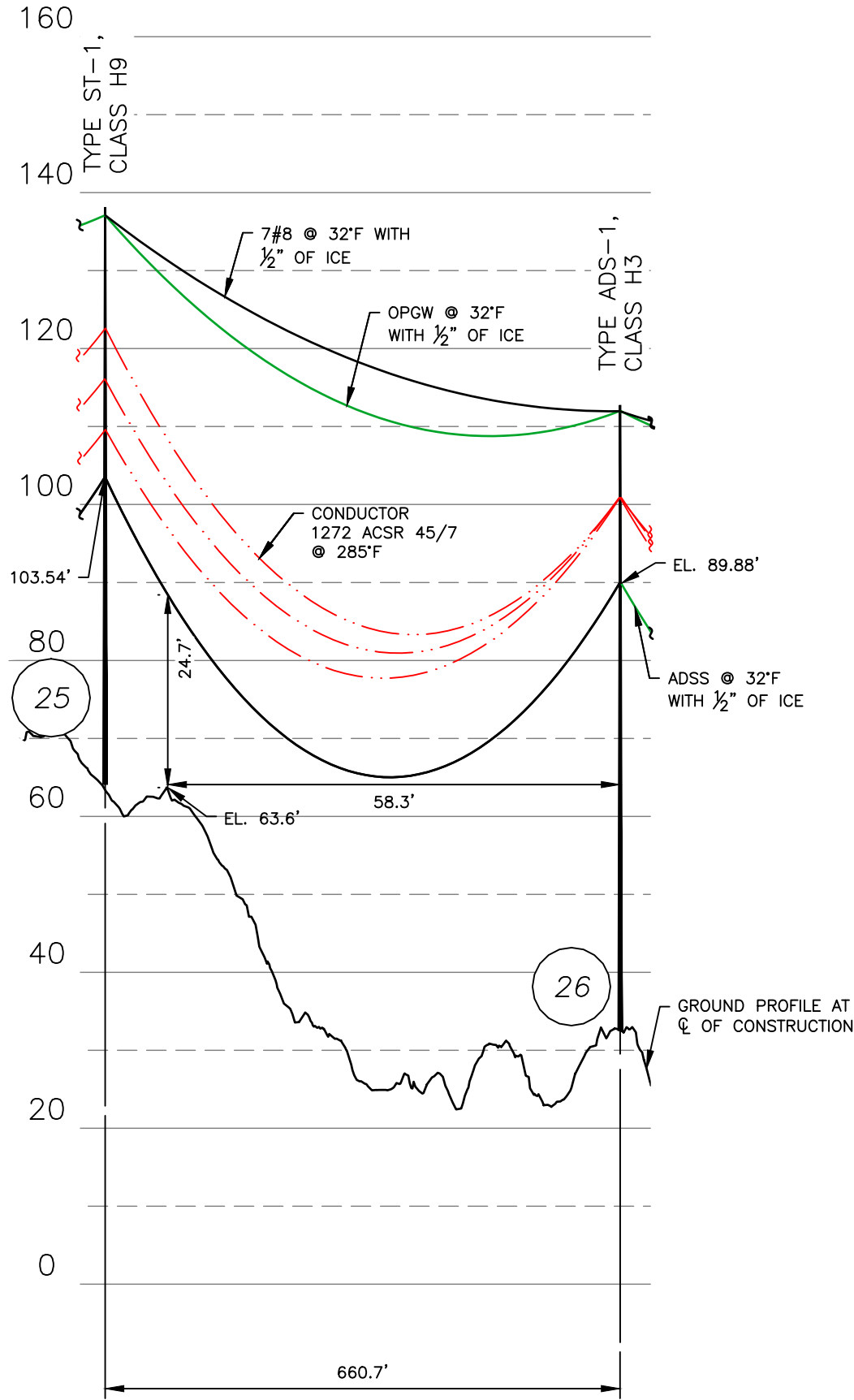
EVERSOURCE ENERGY

R169, 115kV LINE
STATE OWNED LAND CROSSING
DOVER, NEW HAMPSHIRE
EXHIBIT 7

T	1
DRAWN	NEB/RLC
ENGINEER	CRP/RLC
CHECKED	JJD/ELC
APPROVED	CJT/ES
DATE	12/11/2023

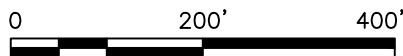
DWG REV	ISSUED FOR	EPN/DESCRIPTION	CONT/PE#	DATE	DRN	CHKD	APPR
1	ISSUED FOR DOE			01/25/24	NEB	JJD	CJT

SCALE	AS SHOWN	FILE: 04070-85002.DWG	DRAWING NO.	04070-85002
-------	----------	-----------------------	-------------	-------------



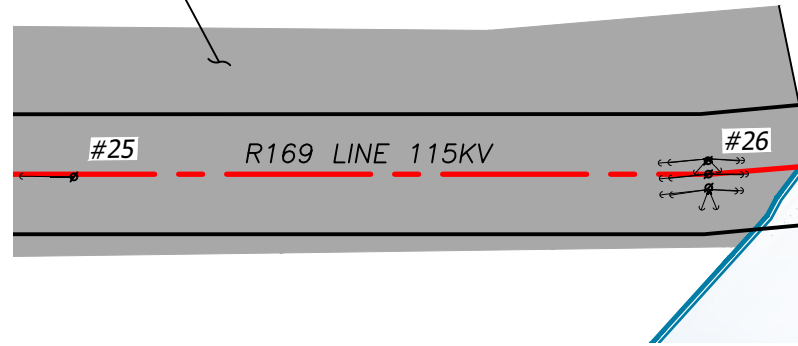
PROFILE VIEW

SCALE: HORZ 1" = 200'
VERT 1" = 20'



DOVER, NH

MAP K-2-0-0
EAA-5769
STATE OF NH
(NHFG)



PLAN VIEW

SCALE: 1" = 200'

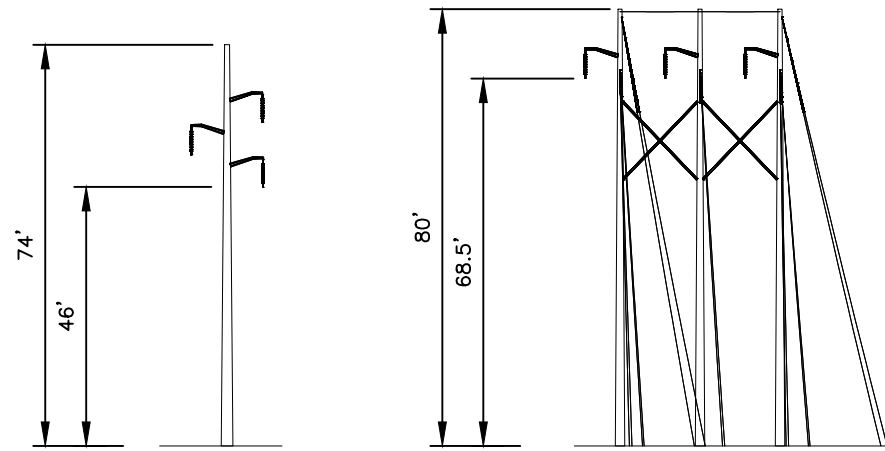
LEGEND:

- #25 STRUCTURE
- STATE OF NEW HAMPSHIRE PROPERTY
- R169 LINE 115KV LINE, Q OF CONSTRUCTION
- LIMITS OF EVERSOURCE RIGHT OF WAY
- PROPERTY LINE

STRUCTURE LOCATION		
STRUCTURE	LONGITUDE	LATITUDE
25	-70.85762821	43.19355803
26	-70.85930493	43.19489259

NESSC VERTICAL CLEARANCE (FT) FROM TABLE 232.1, C2-2017

NATURE OF SURFACE UNDERNEATH WIRES, CONDUCTORS OR CABLES	ADSS (Okv)
OTHERS AREAS TRAVERSED BY VEHICLES, SUCH AS CULTIVATED, GRAZING, FOREST, AND ORCHARD LAND, INDUSTRIAL SITES, COMMERCIAL SITES ETC	15.5



STRUCTURE 25
TYPE ST-1

STR 25: IS AN EVERSOURCE TYPE ST-1, SINGLE CIRCUIT STEEL DELTA, HORIZONTAL CONFIG.

STRUCTURE 26
TYPE ADS-1

STR 26: IS AN EVERSOURCE TYPE ADS-1, SINGLE CIRCUIT STEEL DEADEND, HORIZONTAL CONFIG.

STRUCTURE DETAIL

SCALE: NTS

CABLE SCHEDULE

WIRE	QTY OF CABLES	DESCRIPTION	DESIGN CONDITIONS			
			MAX DESIGN TENSION (lb)	TEMP (°F)	ICE (in)	WIND (psf)
CONDUCTOR	3	ACSR, 1272 kcmil 45/7, BITTERN	10500	0	0.5	4
OPGW	1	DNO-11852	5000	0	0.5	4
STATIC	1	7#8 AW	4500	0	0.5	4
ADSS	1	OFS AT-XXX27DT-064	2300	0	0.5	4

NOTES:

1. PARCEL INFORMATION PROVIDED BY NH GRANIT.
2. ELEVATIONS REFERENCED TO THE NORTH AMERICAN VERTICAL DATUM OF 1988.

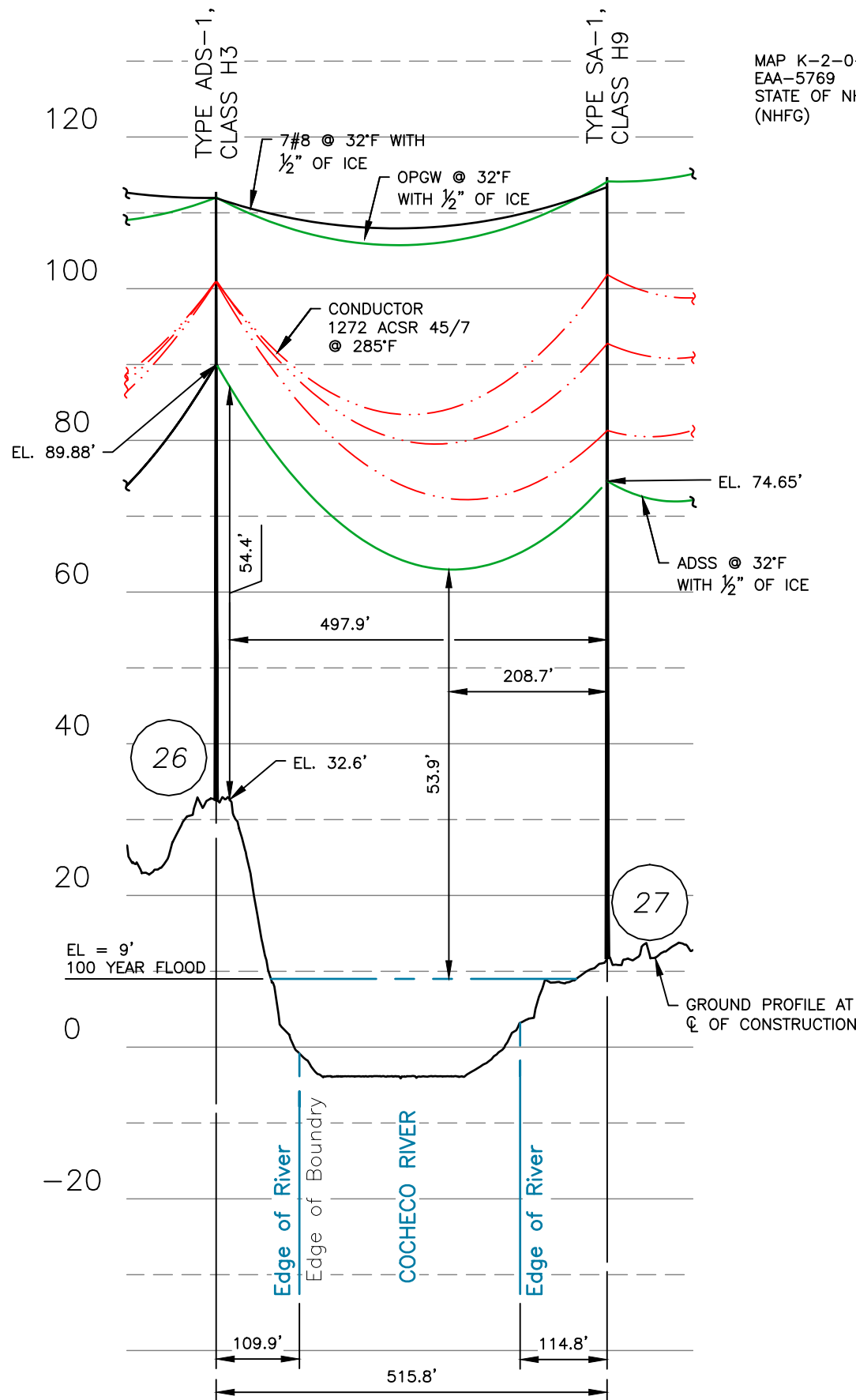
DWG REV	ISSUED FOR DOE	EPN/DESCRIPTION	CONT/PE#	DATE	DRN	CHKD	APPR
1				01/25/24	NEB	JJD	CJT

EVERSOURCE ENERGY

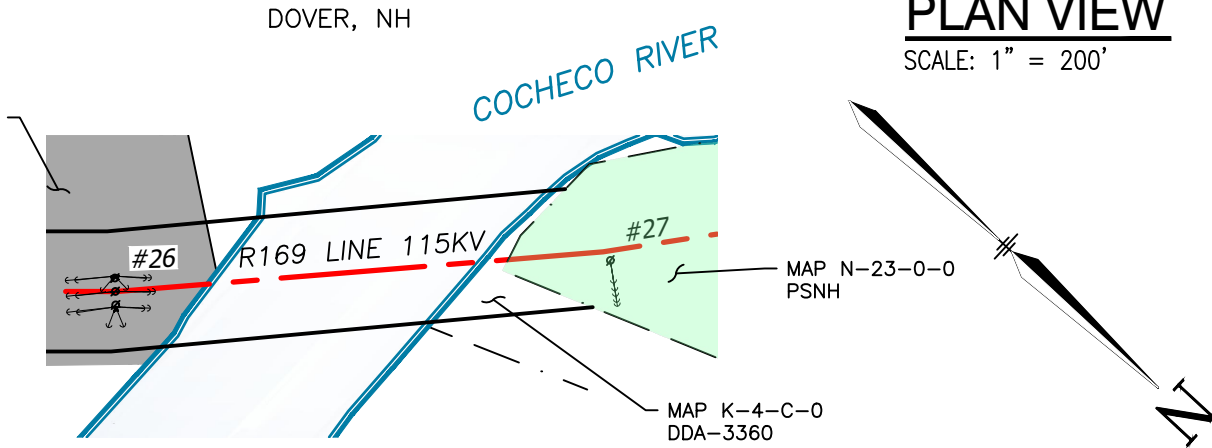
R169, 115kV LINE
STATE OWNED LAND CROSSING
DOVER, NEW HAMPSHIRE
EXHIBIT 8

T	1
DRAWN	NEB/RLC
ENGINEER	CRP/RLC
CHECKED	JJD/RLC
APPROVED	CJT/ES
DATE	12/11/2023

SCALE	AS SHOWN	FILE: 04070-85002.DWG	DRAWING NO.	04070-85002
IMAGE:				



MAP K-2-0-0
EAA-5769
STATE OF NH
(NHFG)

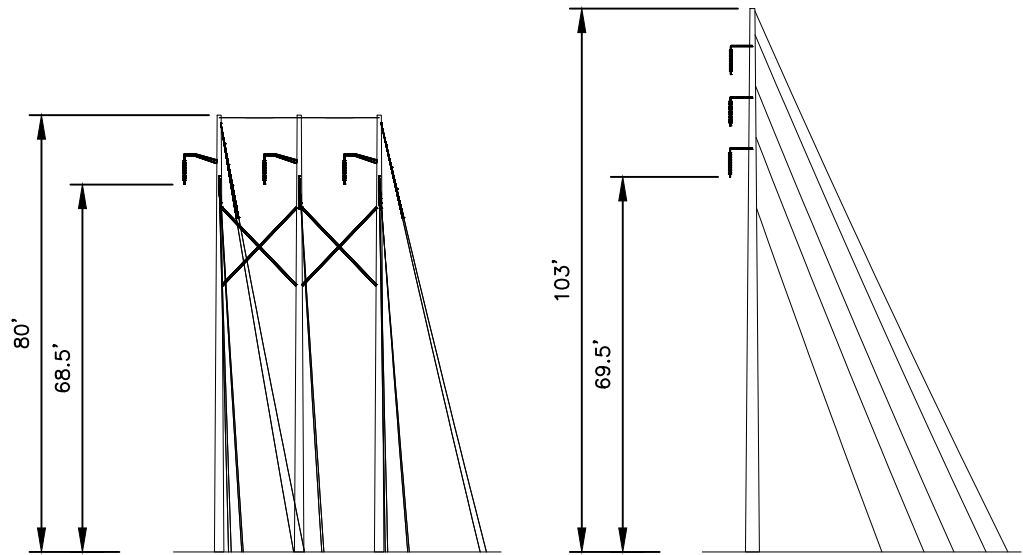


LEGEND:

- #27 STRUCTURE
- R169 LINE 115KV LINE, ϕ OF CONSTRUCTION
- LIMITS OF EVERSOURCE RIGHT OF WAY
- PROPERTY LINE
- WATERBODY
- STATE OF NEW HAMPSHIRE PROPERTY

STRUCTURE LOCATION		
STRUCTURE	LONGITUDE	LATITUDE
26	-70.85930493	43.19489259
27	-70.86069471	43.19588035

NESC VERTICAL CLEARANCE (FT) FROM TABLE 232.1, C2-2017	
NATURE OF SURFACE UNDERNEATH WIRES, CONDUCTORS OR CABLES	ADSS (Okv)
WATER AREAS SUITABLE FOR SAIL BOATING INCLUDING LAKES, PONDS, RESERVOIRS, TIDAL WATERS, RIVERS, STREAMS, AND CANALS WITH AN UNUPSTRUCTED SURFACE AREA OF: OVER 2000 ACRES	37.5
OTHERS AREAS TRAVERSED BY VEHICLES, SUCH AS CULTIVATED, GRAZING, FOREST, AND ORCHARD LAND, INDUSTRIAL SITES, COMMERCIAL SITES ETC	15.5



STRUCTURE DETAIL

SCALE: NTS

STR 26: IS AN EVERSOURCE TYPE ADS-1, SINGLE CIRCUIT STEEL DEADEND, HORIZONTAL CONFIG.

STR 27: IS AN EVERSOURCE TYPE SA-1, SINGLE CIRCUIT STEEL RUNNING ANGLE, VERTICAL CONFIG.

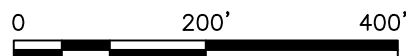
CABLE SCHEDULE						
WIRE	QTY OF CABLES	DESCRIPTION	DESIGN CONDITIONS			
			MAX DESIGN TENSION (lb)	TEMP (°F)	ICE (in)	WIND (psf)
CONDUCTOR	3	ACSR, 1272 kcmil 45/7, BITTERN	10000	0	0.5	4
OPGW	1	DNO-11852	5100	0	0.5	4
STATIC	1	7#8 AW	3700	0	0.5	4
ADSS	1	OFS AT-XXX27DT-064	2700	0	0.5	4

NOTES:

1. PARCEL INFORMATION PROVIDED BY NH GRANIT.
2. ELEVATIONS REFERENCED TO THE NORTH AMERICAN VERTICAL DATUM OF 1988.
3. 100 YEAR FLOOD ELEVATION FROM THE FEMA FLOOD MAP SERVICE CENTER, NATIONAL FLOOD HAZARD LAYER FIRMETTE, 09/30/2015.

PROFILE VIEW

SCALE: HORZ 1" = 200'
VERT 1" = 20'

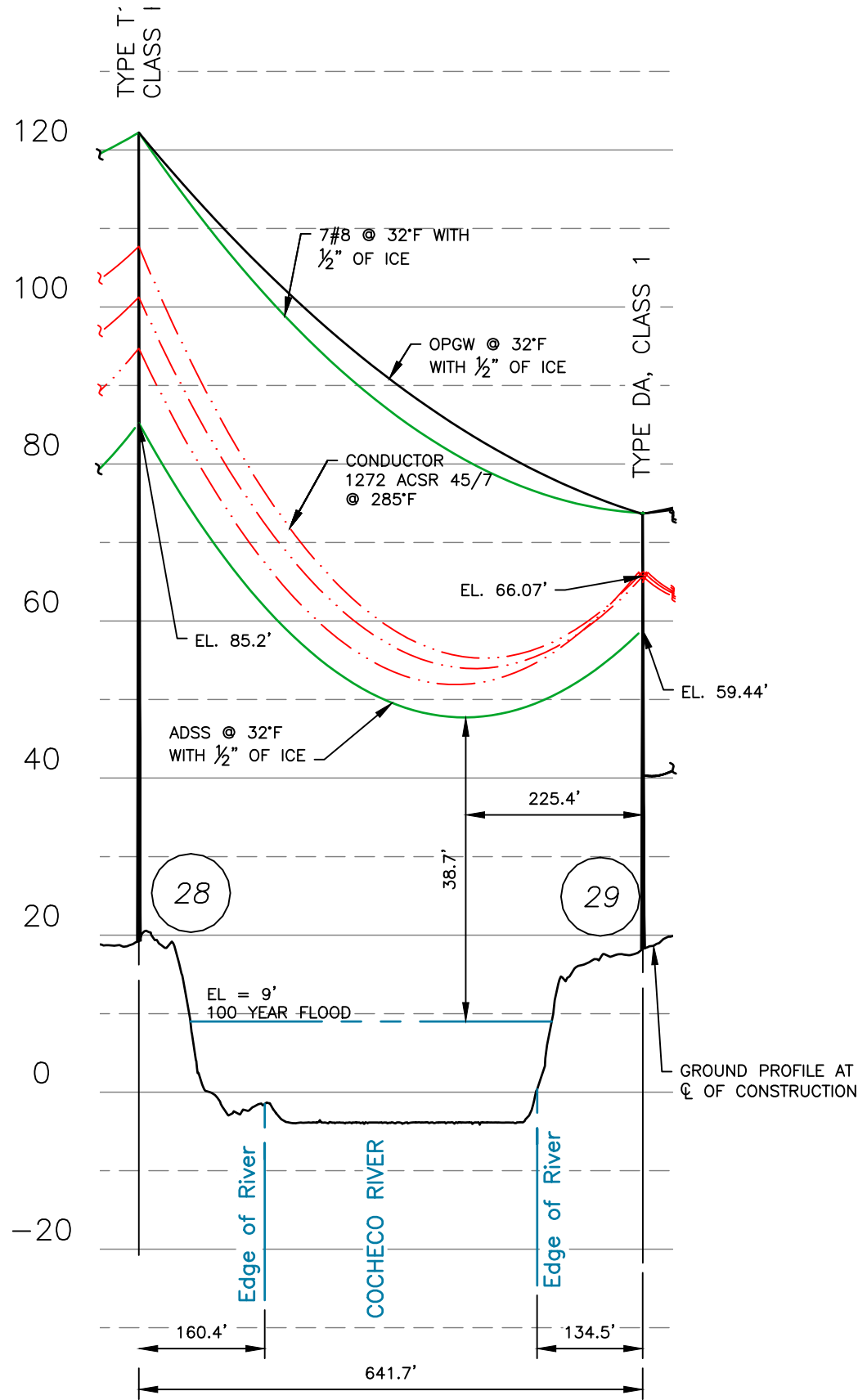


EVERSOURCE ENERGY

R169, 115kV LINE
STATE OWNED LAND & COCHECO RIVER CROSSING
DOVER, NEW HAMPSHIRE
EXHIBIT 9

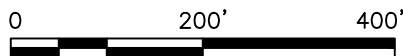
T	1
DRAWN	NEB/RLC
ENGINEER	CRP/RLC
CHECKED	JJD/RLC
APPROVED	CJT/ES
DATE	12/11/2023

DWG REV	1	ISSUED FOR DOE	01/25/24	NEB	JJD	CJT	SCALE AS SHOWN	FILE: 04070-85002.DWG	DRAWING NO. 04070-85002
		EPN/DESCRIPTION	DATE	DRN	CHKD	APPR	IMAGE:		

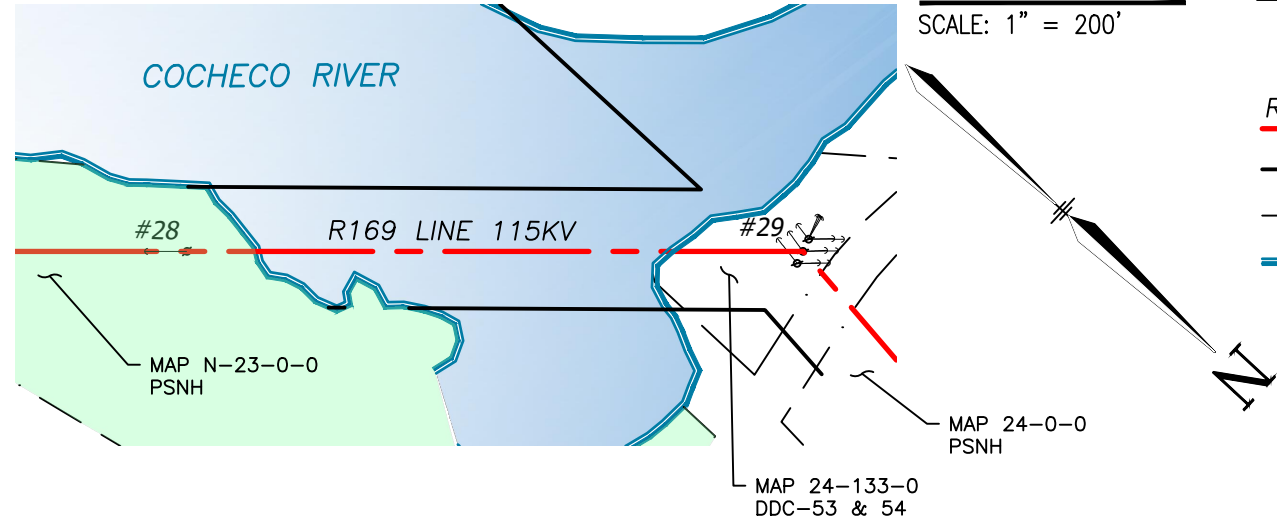


PROFILE VIEW

SCALE: HORZ 1" = 200'
VERT 1" = 20'



DOVER, NH

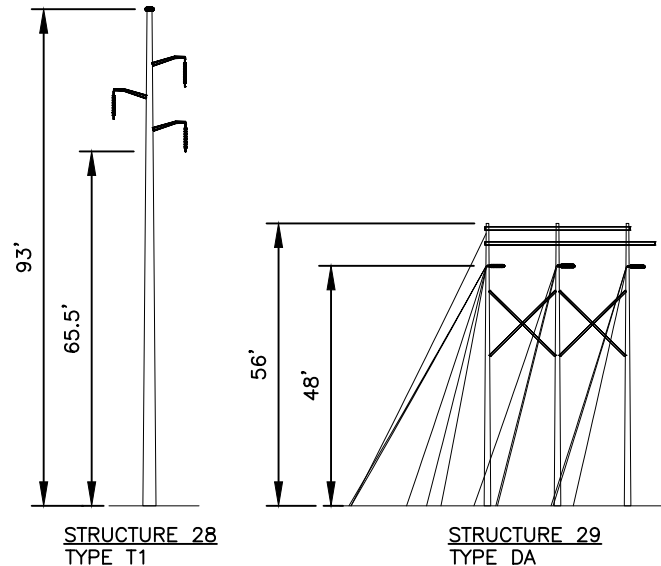


LEGEND:

- #27 STRUCTURE
- R169 LINE 115KV LINE, ϕ OF CONSTRUCTION
- LIMITS OF EVERSOURCE RIGHT OF WAY
- PROPERTY LINE
- WATERBODY

STRUCTURE LOCATION		
STRUCTURE	LONGITUDE	LATITUDE
28	-70.86156498	43.19635358
29	-70.86344026	43.19745668

NESC VERTICAL CLEARANCE (FT) FROM TABLE 232.1, C2-2017	
NATURE OF SURFACE UNDERNEATH WIRES, CONDUCTORS OR CABLES	ADSS (0KV)
WATER AREAS SUITABLE FOR SAIL BOATING INCLUDING LAKES, PONDS, RESERVOIRS, TIDAL WATERS, RIVERS, STREAMS, AND CANALS WITH AN UNUPSTRUCTED SURFACE AREA OF: OVER 2000 ACRES	37.5



STRUCTURE DETAIL

SCALE: NTS

CABLE SCHEDULE						
WIRE	QTY OF CABLES	DESCRIPTION	DESIGN CONDITIONS			
			MAX DESIGN TENSION (lb)	TEMP (°F)	ICE (in)	WIND (psf)
CONDUCTOR	3	ACSR, 1272 kcmil 45/7, BITTERN	10000	0	0.5	4
OPGW	1	DNO-11852	5100	0	0.5	4
STATIC	1	7#8 AW	4100	0	0.5	4
ADSS	1	OFS AT-XXX27DT-064	2300	0	0.5	4

NOTES:

- PARCEL INFORMATION PROVIDED BY NH GRANIT.
- ELEVATIONS REFERENCED TO THE NORTH AMERICAN VERTICAL DATUM OF 1988.
- 100 YEAR FLOOD ELEVATION FROM THE FEMA FLOOD MAP SERVICE CENTER, NATIONAL FLOOD HAZARD LAYER FIRMETTE, 09/30/2015.

EVERSOURCE ENERGY

R169, 115kV LINE
COCHECO RIVER CROSSING
DOVER, NEW HAMPSHIRE
EXHIBIT 10

T	1
DRAWN	NEB/RLC
ENGINEER	CRP/RLC
CHECKED	JJD/RLC
APPROVED	CJT/ES
DATE	12/11/2023

DWG REV	1	ISSUED FOR DOE	01/25/24	NEB	JJD	CJT	SCALE AS SHOWN	FILE: 04070-85002.DWG	DRAWING NO. 04070-85002
		EPN/DESCRIPTION	DATE	DRN	CHKD	APPR		IMAGE:	