



WHITEFIELD
PLAN VIEW
 SCALE: 1"=10,000'

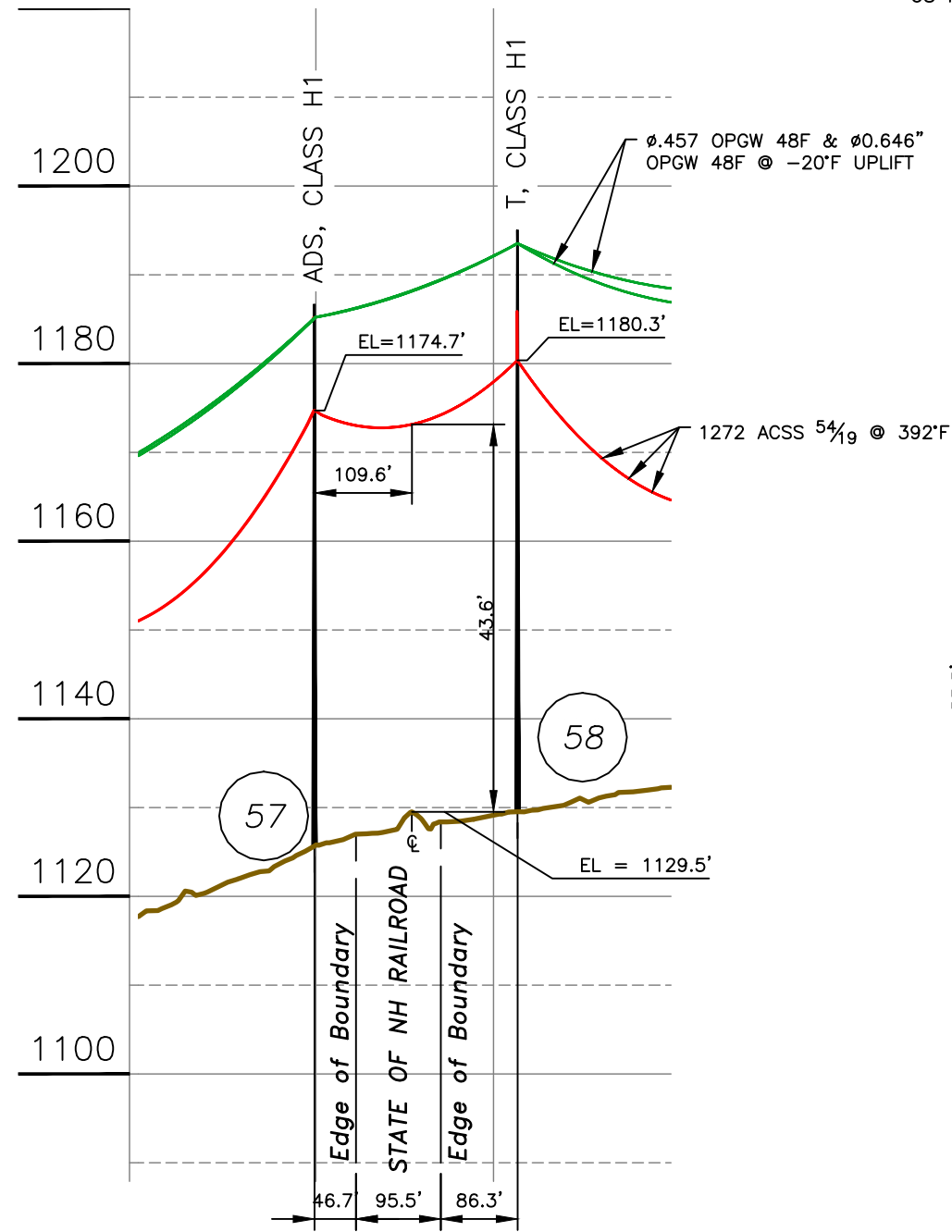
LEGEND:
 S136 LINE: 
 S136 STR: 

EVERSOURCE ENERGY

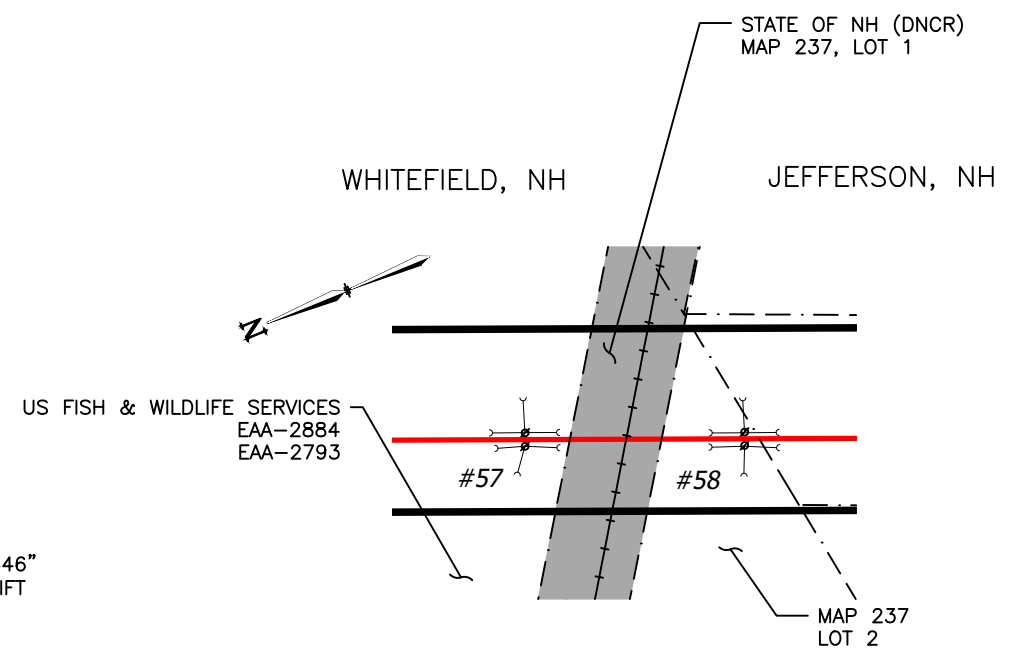
S136, 115kV LINE
 PUBLIC WATERBODY & STATE LAND CROSSING, LOCATION PLAN
 WHITFIELD/JEFFERSON/RANDOLPH/GORHAM, NEW HAMPSHIRE
 EXHIBIT 1

T	1
DRAWN	CTS
ENGINEER	CJN
CHECKED	CJT
APPROVED	CJN
DATE	12/15/2023

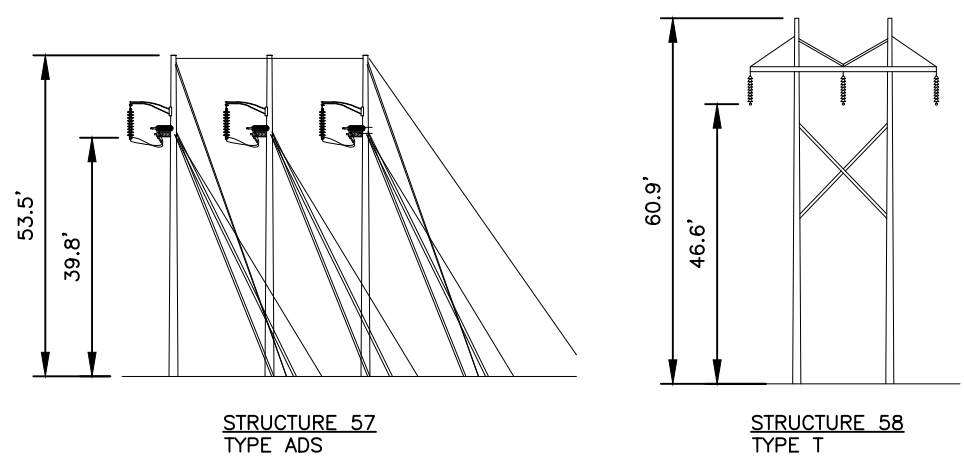
DWG REV	1	ISSUED TO NHDOE	12/15/23	CTS	CJT	CJT	SCALE AS SHOWN	FILE: 04073-81001.DWG	DRAWING NO. 04073-81001
		EPN/DESCRIPTION	CONT/PE#	DATE	DRN	CHKD	APPR	IMAGE:	



PROFILE VIEW
SCALE: HORZ 1" = 200'
VERT 1" = 20'



PLAN VIEW
SCALE: 1" = 200'



STR 57: IS AN EVERSOURCE TYPE ADS, SINGLE CIRCUIT STEEL POLE DEAD END ANGLE, HORIZONTAL CONFIG., GUYED.
STR 58: IS AN EVERSOURCE TYPE T, SINGLE CIRCUIT STEEL POLE DEAD END ANGLE, VERTICAL CONFIG.

STRUCTURE DETAIL
SCALE: NTS

- LEGEND:**
- #57 STRUCTURE (WITH GUYS)
 - PROPERTY BOUNDARY
 - S136 LINE 115KV LINE, C OF CONSTRUCTION
 - LIMITS OF EVERSOURCE RIGHT OF WAY
 - STATE LAND

STRUCTURE LOCATION		
STRUCTURE	LONGITUDE	LATITUDE
57	-71.52778343	44.3669632
58	-71.52697355	44.36672714

NESC VERTICAL CLEARANCE (FT) FROM TABLE 232.1, C2-2012	
NATURE OF SURFACE UNDERNEATH WIRES, CONDUCTORS OR CABLES	115kV
TOP OF TRACK	28.1

CABLE SCHEDULE						
WIRE	QTY OF CABLES	DESCRIPTION	DESIGN CONDITIONS			
			MAX DESIGN TENSION (lb)	TEMP (°F)	ICE (in)	WIND (psf)
CONDUCTOR	3	1272 ACSS 54/19 "PHEASEANT"	10000	0	0.5	4
OPGW	1	48F Ø0.646 AFL	4200	0	0.5	4
OPGW	1	48F Ø0.457 AFL	3200	0	0.5	4

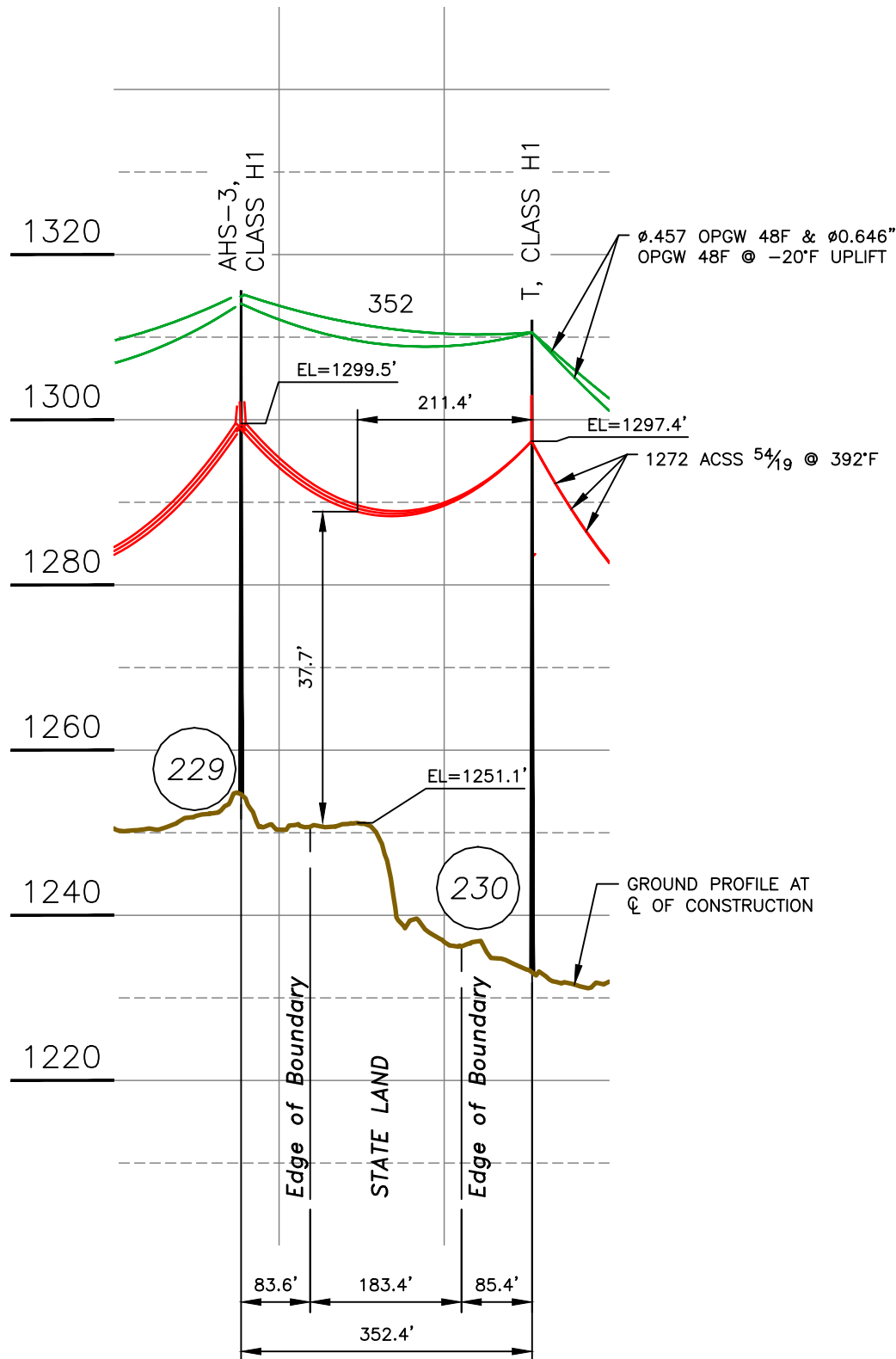
- NOTES:**
- PARCEL INFORMATION PROVIDED BY NH GRANIT.
 - ELEVATIONS REFERENCED TO THE NORTH AMERICAN VERTICAL DATUM OF 1988.



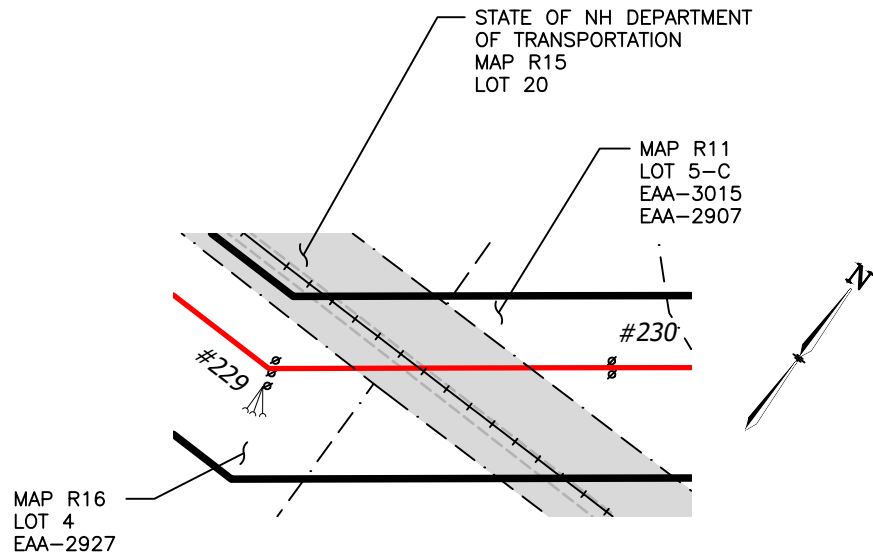
 S136, 115kV LINE STATE OWNED LAND CROSSING WHITEFIELD & JEFFERSON, NEW HAMPSHIRE EXHIBIT 2	T 1
	DRAWN CTS
	ENGINEER CJN
	CHECKED CJT
	APPROVED CJN
DATE 12/15/23	DRAWING NO. 04073-81001
SCALE AS SHOWN	FILE: 04073-81001.DWG IMAGE:

DWG REV	ISSUED TO DOE (T1485A)	12/15/23	CTS	CJT	CJN
EPN/DESCRIPTION	CONT/PE#	DATE	DRN	CHKD	APPR
1					

12/19/2023 8:56 AM - spensct - N:\DEPT WORK AREA\NH WORK AREA\SPENSCT\115KV MILESHEET WORK\04073-81001.dwg - STATE 229-230 ES VER: 12/2016



PROFILE VIEW
SCALE: HORZ 1" = 200'
VERT 1" = 20'



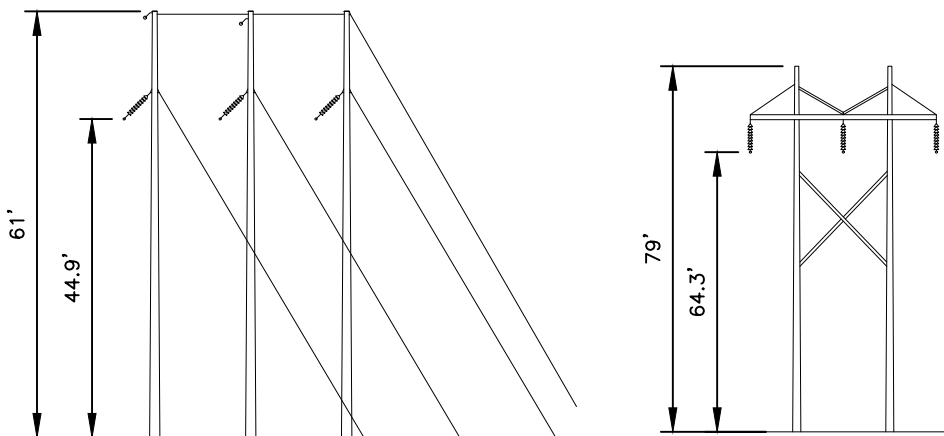
PLAN VIEW
SCALE: 1" = 200'

LEGEND:

- #229 STRUCTURE (WITH GUYS)
- PROPERTY BOUNDARY
- S136 LINE 115KV LINE, ϕ OF CONSTRUCTION
- LIMITS OF EVERSOURCE RIGHT OF WAY
- STATE LAND

STRUCTURE LOCATION		
STRUCTURE	LONGITUDE	LATITUDE
229	-71.27297263	44.37080627
230	-71.27189197	44.37138389

NESC VERTICAL CLEARANCE (FT)	
FROM TABLE 232.1, C2-2012	
NATURE OF SURFACE UNDERNEATH WIRES, CONDUCTORS OR CABLES	115kV
OTHER AREAS TRAVERSED BY VEHICLES, SUCH AS CULTIVATED, GRAZING, FOREST, AND ORCHARD LANDS, INDUSTRIAL SITES, COMMERCIAL SITES, ETC	20.1



STRUCTURE 229
TYPE AHS-3

STR 229: IS AN EVERSOURCE TYPE AHS-3, SINGLE CIRCUIT STEEL POLE RUNNING ANGLE, HORIZONTAL CONFIG., GUYED.

STRUCTURE 230
TYPE T

STR 58: IS AN EVERSOURCE TYPE T, SINGLE CIRCUIT STEEL POLE TANGENT, HORIZONTAL CONFIG.

STRUCTURE DETAIL

SCALE: NTS



CABLE SCHEDULE						
WIRE	QTY OF CABLES	DESCRIPTION	DESIGN CONDITIONS			
			MAX DESIGN TENSION (lb)	TEMP (°F)	ICE (in)	WIND (psf)
CONDUCTOR	3	1272 ACSS 54/19 "PHEASANT"	10000	0	0.5	4
OPGW	1	48F ϕ 0.646 AFL	4200	0	0.5	4
OPGW	1	48F ϕ 0.457 AFL	3200	0	0.5	4

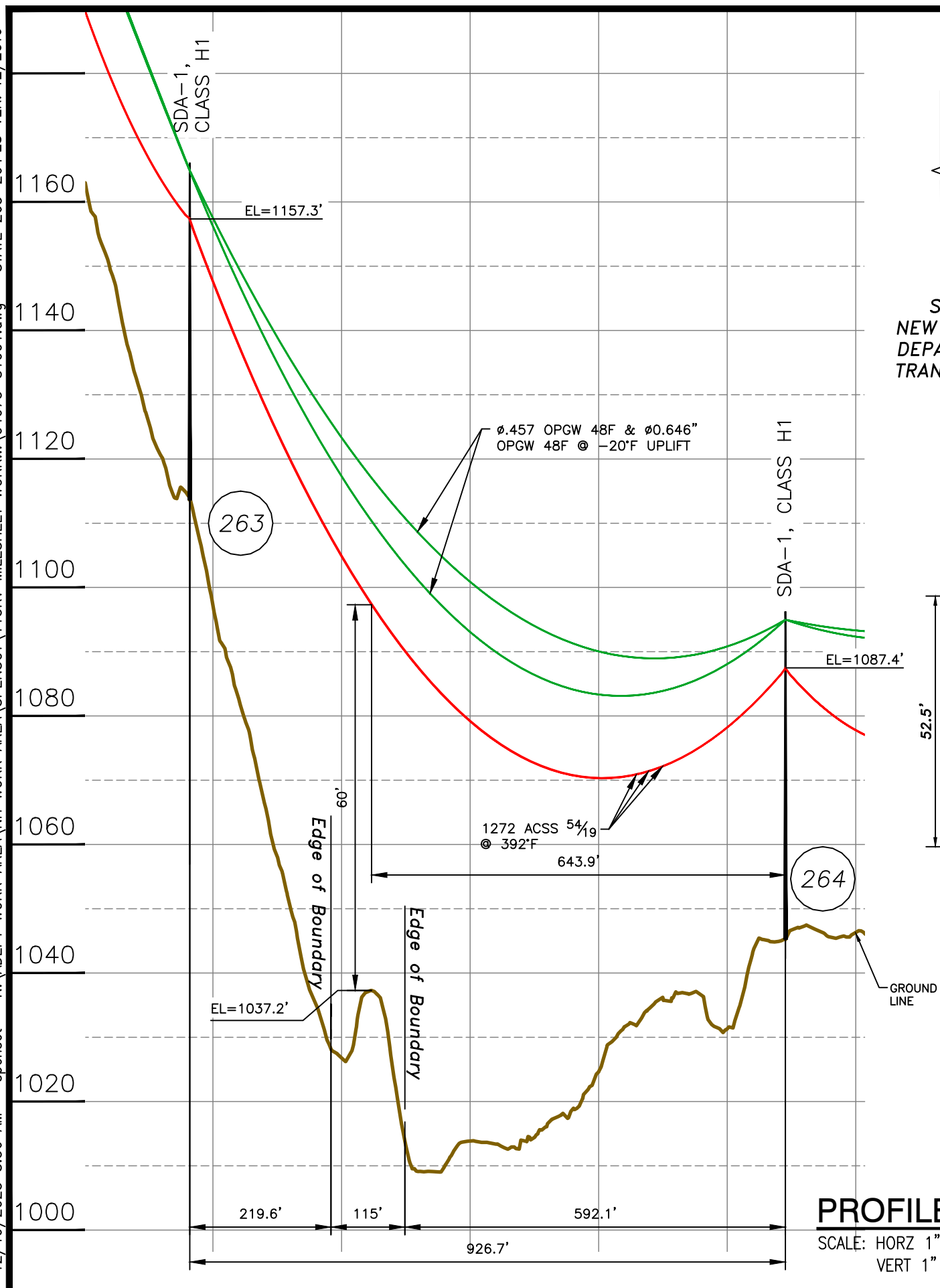
NOTES:

- PARCEL INFORMATION PROVIDED BY NH GRANIT.
- ELEVATIONS REFERENCED TO THE NORTH AMERICAN VERTICAL DATUM OF 1988.

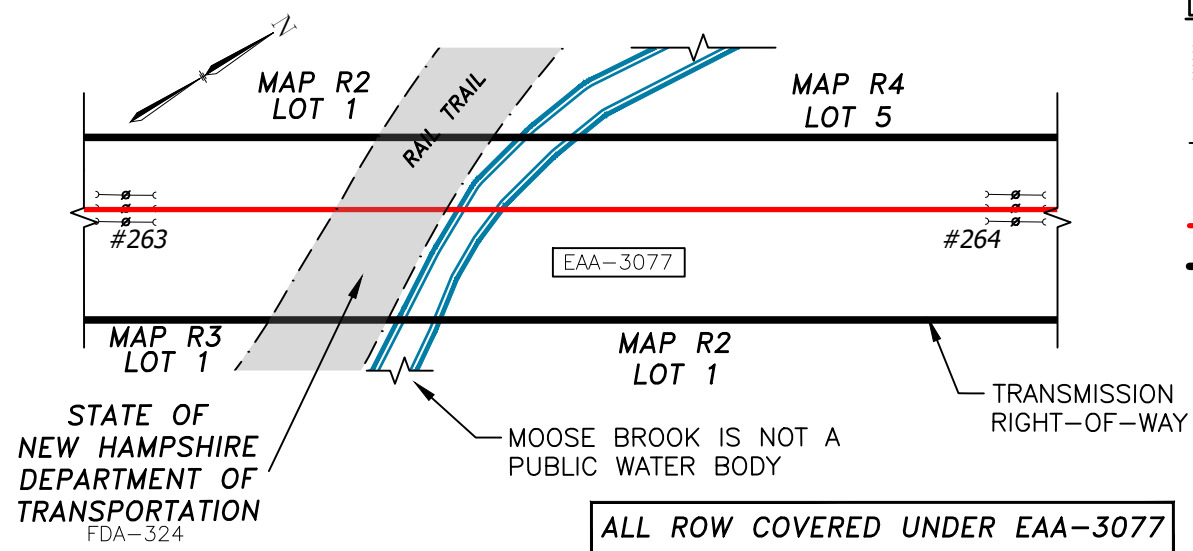
<p>S136, 115kV LINE STATE OWNED LAND CROSSING RANDOLPH, NEW HAMPSHIRE EXHIBIT 3</p>	T 1
	DRAWN CTS
	ENGINEER CJN
	CHECKED CJT
	APPROVED CJN
DATE 12/15/23	DRAWING NO. 04073-81001
SCALE AS SHOWN	FILE: 04073-81001.DWG IMAGE:

DWG REV	ISSUED TO DOE (T1485A)	CONT/PE#	DATE	DRN	CHKD	APPR
1			12/15/23	CTS	CJT	CJN

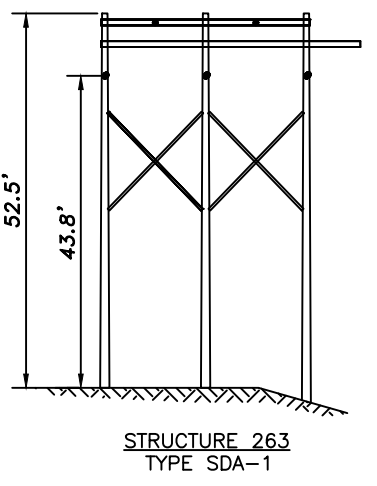
12/19/2023 8:56 AM - N:\Adept WORK AREA\NH WORK AREA\SPENSCT\115KV MILESHEET WORK...04073-81001.dwg - STATE 263-264 ES VER: 12/2016



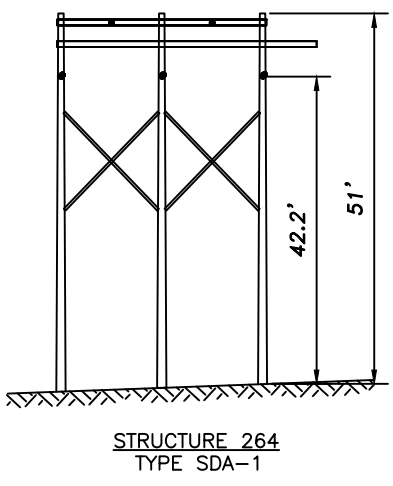
PROFILE VIEW
SCALE: HORIZ 1" = 200'
VERT 1" = 20'



PLAN VIEW
SCALE: 1" = 200'



STRUCTURE 263
TYPE SDA-1
STR 263: IS A SINGLE CIRCUIT STEEL DEADEND STRUCTURE, HORIZONTAL CONFIG., GUYED.



STRUCTURE 264
TYPE SDA-1
STR 264: IS A SINGLE CIRCUIT STEEL DEADEND STRUCTURE, HORIZONTAL CONFIG., GUYED.

LEGEND:

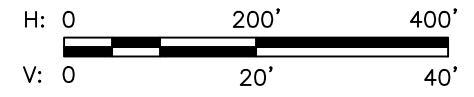
- STRUCTURE (WITH GUYS) #264
- PROPERTY BOUNDARY
- S136 LINE 115KV: LINE, C OF CONSTRUCTION
- LIMITS OF EVERSOURCE RIGHT OF WAY
- STATE LAND

STRUCTURE LOCATION		
STRUCTURE	LONGITUDE	LATITUDE
263	-71.22435332	44.38247824
264	-71.22246128	44.38462757

NESC VERTICAL CLEARANCE (FT) FROM TABLE 232.1	
NATURE OF SURFACE UNDERNEATH WIRES, CONDUCTORS OR CABLES	LINE VOLTAGE (kV)
TRACK RAILS OF RAILROADS	28.1
	115

CABLE SCHEDULE						
WIRE	QTY OF CABLES	DESCRIPTION	DESIGN CONDITIONS			
			MAX DESIGN TENSION (lb)	TEMP (°F)	ICE (in)	WIND (psf)
CONDUCTOR	3	1272 ACSS 54/19 "PHEASANT"	10000	0	0.5	4
OPGW	1	48F Ø0.646 AFL	4200	0	0.5	4
OPGW	1	48F Ø0.457 AFL	3600	0	0.5	4

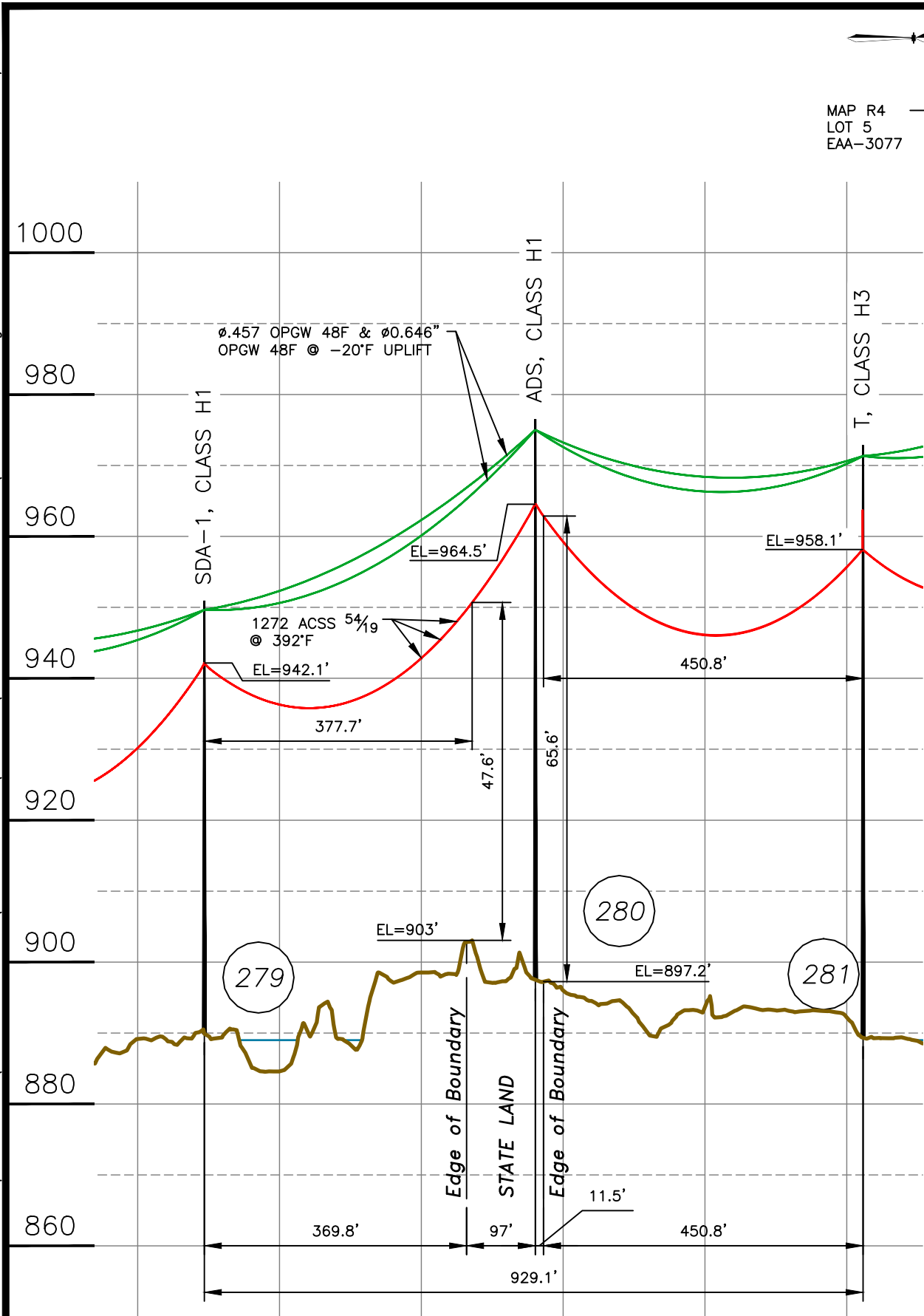
- NOTES:**
- PARCEL INFORMATION PROVIDED BY NH GRANIT.
 - ELEVATIONS REFERENCED TO THE NORTH AMERICAN VERTICAL DATUM OF 1988.



LINE S136 115KV TRANSMISSION
STATE LAND CROSSING
GORHAM, N.H.
EXHIBIT 4

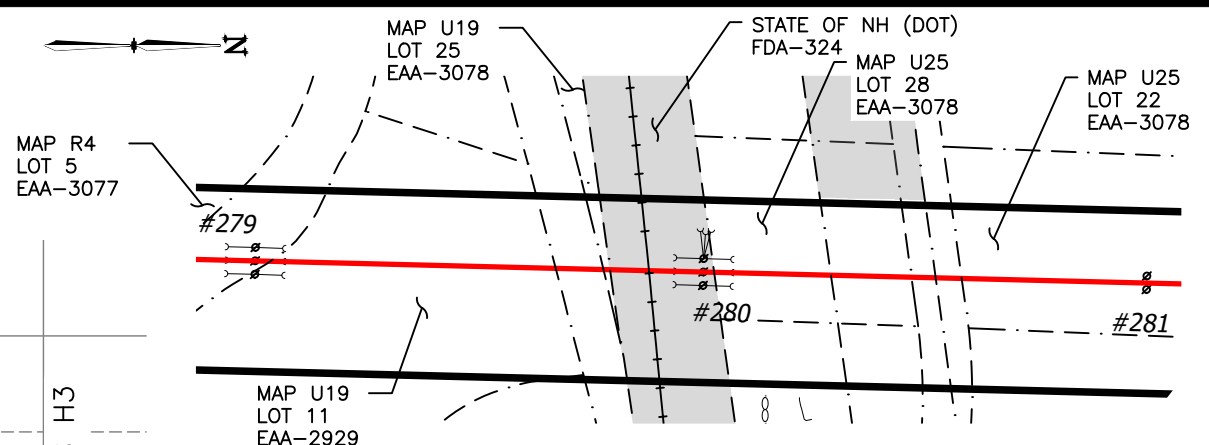
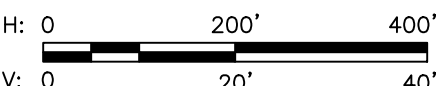
T	1
DRAWN	CTS
ENGINEER	CJT
CHECKED	-
APPROVED	CJT
DATE	12/15/2023

12/19/2023 8:56 AM - spensct - N:\DEPT WORK AREA\NH WORK AREA\SPENSCT\115KV MILESHEET WORK...04073-81001.dwg - STATE 279-281 ES VER: 12/2016



PROFILE VIEW

SCALE: HORZ 1" = 200'
VERT 1" = 20'

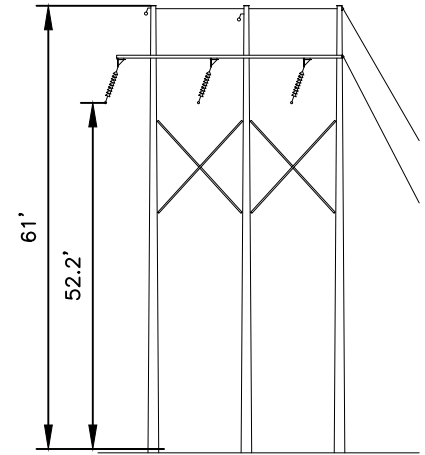


PLAN VIEW

SCALE: 1" = 200'

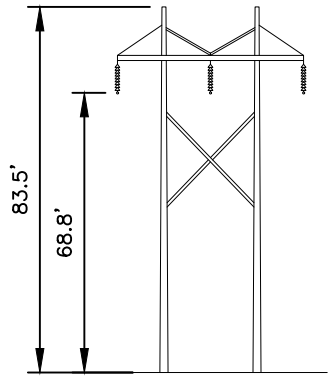
LEGEND:

- #280 STRUCTURE (WITH GUYS)
- PROPERTY BOUNDARY
- S136 LINE 115KV LINE, C OF CONSTRUCTION
- LIMITS OF EVERSOURCE RIGHT OF WAY
- STATE LAND



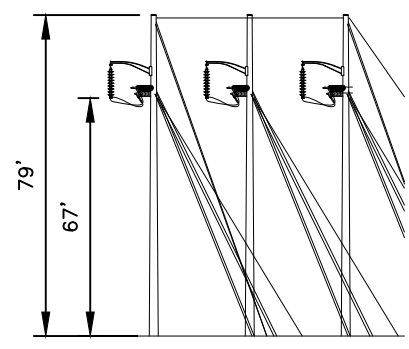
STRUCTURE 279
TYPE SDA-1

STR 279: IS AN EVERSOURCE TYPE SDA-1, SINGLE CIRCUIT STEEL POLE RUNNING ANGLE, HORIZONTAL CONFIG.



STRUCTURE 281
TYPE T

STR 281: IS AN EVERSOURCE TYPE T, SINGLE CIRCUIT STEEL POLE TANGENT, HORIZONTAL CONFIG.



STRUCTURE 280
TYPE ADS

STR 280: IS AN EVERSOURCE TYPE ADS, SINGLE CIRCUIT STEEL POLE DEAD END ANGLE, HORIZONTAL CONFIG.

STRUCTURE DETAIL

SCALE: NTS

CABLE SCHEDULE						
WIRE	QTY OF CABLES	DESCRIPTION	DESIGN CONDITIONS			
			MAX DESIGN TENSION (lb)	TEMP (°F)	ICE (in)	WIND (psf)
CONDUCTOR	3	1272 ACSS 54/19 "PHEASEANT"	10000	0	0.5	4
OPGW	1	48F Ø0.646 AFL	4200	0	0.5	4
OPGW	1	48F Ø0.457 AFL	3200	0	0.5	4

NESV VERTICAL CLEARANCE (FT)	
FROM TABLE 232.1, C2-2012	
NATURE OF SURFACE UNDERNEATH WIRES, CONDUCTORS OR CABLES	115kV
TOP OF RAIL	28.1

STRUCTURE LOCATION		
STRUCTURE	LONGITUDE	LATITUDE
279	-71.21413550	44.39885892
280	-71.21408150	44.40013880
281	-71.21402803	44.40140621

NOTES:

- PARCEL INFORMATION PROVIDED BY NH GRANIT.
- ELEVATIONS REFERENCED TO THE NORTH AMERICAN VERTICAL DATUM OF 1988.

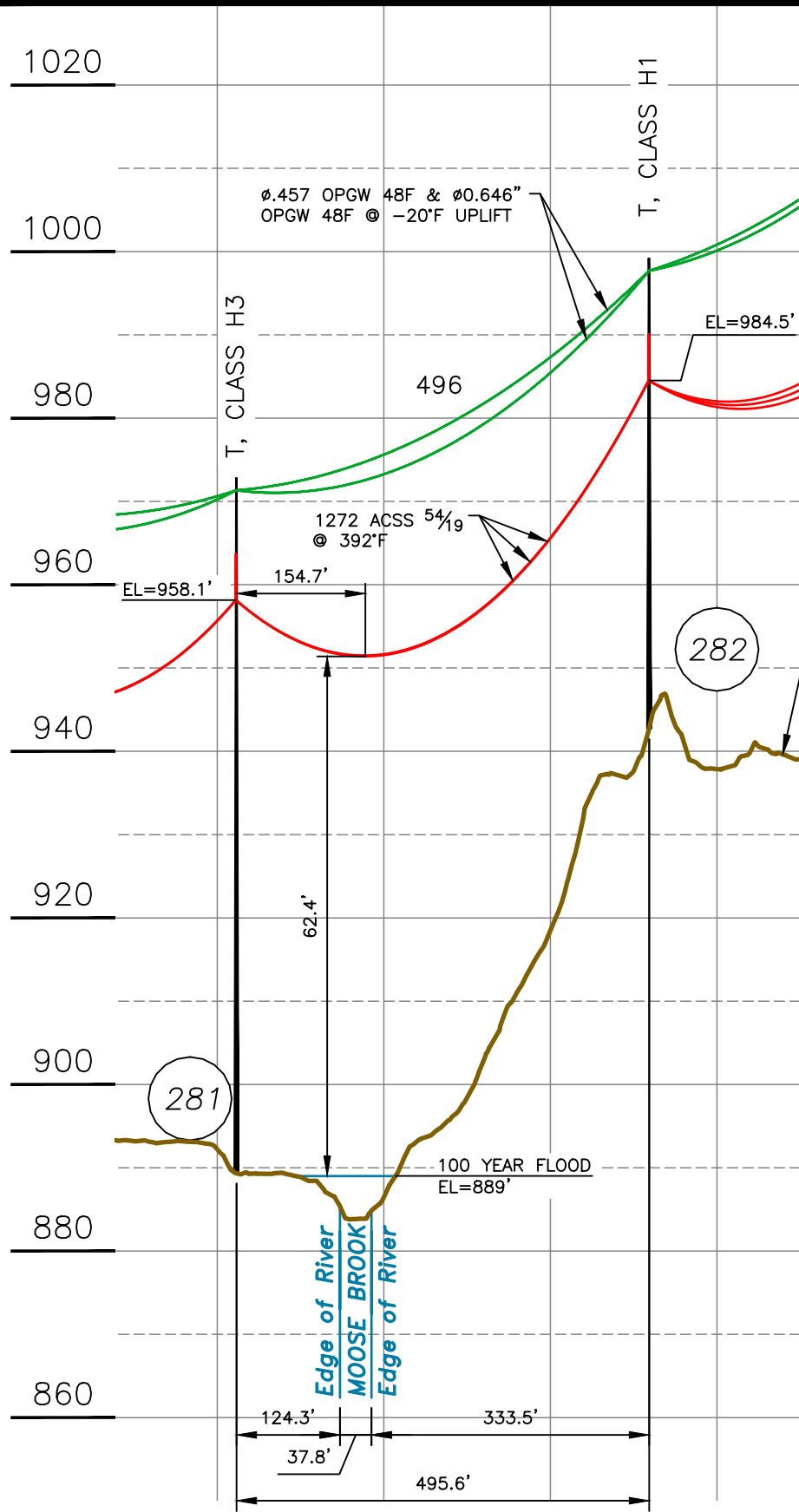
EVERSOURCE ENERGY

S136, 115kV LINE
STATE OWNED LAND CROSSING
GORHAM, NEW HAMPSHIRE
EXHIBIT 5

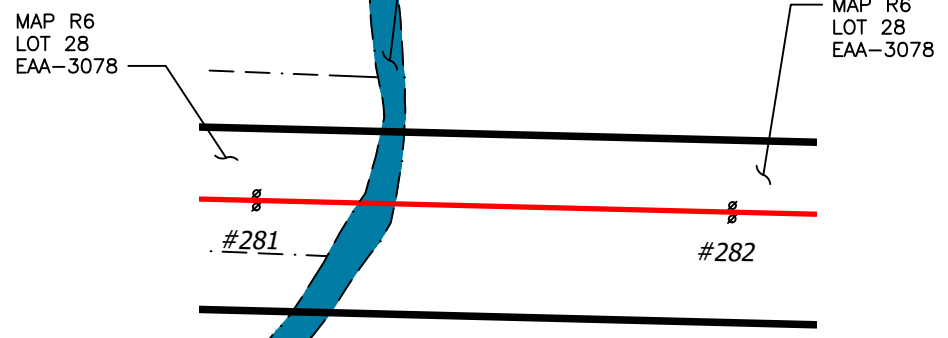
DRAWN CTS	T 1
ENGINEER CJN	
CHECKED CJT	
APPROVED CJN	
DATE 12/15/2023	

DWG REV	ISSUED TO DOE (T1485A)	CONT/PE#	DATE	DRN	CHKD	APPR
1			12/15/23	CTS	CJT	CJN

12/19/2023 8:56 AM - spensct - N:\DEPT WORK AREA\NH WORK AREA\SPENSCT\115KV MILESHEET WORK\04073-81001.dwg - WATER 281-282ES VER: 12/2016



PROFILE VIEW
SCALE: HORZ 1" = 200'
VERT 1" = 20'



PLAN VIEW
SCALE: 1" = 200'

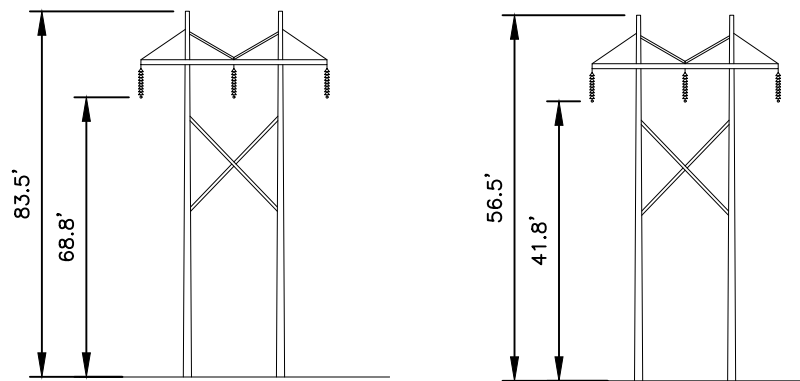
LEGEND:

- STRUCTURE (WITH GUYS)
- PROPERTY BOUNDARY
- S136 LINE 115KV** LINE, ϕ OF CONSTRUCTION
- LIMITS OF EVERSOURCE RIGHT OF WAY
- WATERBODY

STRUCTURE LOCATION		
STRUCTURE	LONGITUDE	LATITUDE
281	-71.21402803	44.40140621
282	-71.2139707	44.402765

NESC VERTICAL CLEARANCE (FT) FROM TABLE 232.1, C2-2012	
NATURE OF SURFACE UNDERNEATH WIRES, CONDUCTORS OR CABLES	115kV
WATER AREAS NOT SUITABLE FOR SAIL BOATING OR WHERE SAIL BOATING IS PROHIBITED	18.6

CABLE SCHEDULE						
WIRE	QTY OF CABLES	DESCRIPTION	DESIGN CONDITIONS			
			MAX DESIGN TENSION (lb)	TEMP (°F)	ICE (in)	WIND (psf)
CONDUCTOR	3	1272 ACSS 54/19 "PHEASANT"	10000	0	0.5	4
OPGW	1	48F ϕ 0.646 AFL	4200	0	0.5	4
OPGW	1	48F ϕ 0.457 AFL	3200	0	0.5	4



STRUCTURE 281
TYPE T
STR 281: IS AN EVERSOURCE TYPE T, SINGLE CIRCUIT STEEL POLE TANGENT, HORIZONTAL CONFIG.

STRUCTURE 282
TYPE T
STR 282: IS AN EVERSOURCE TYPE T, SINGLE CIRCUIT STEEL POLE TANGENT, HORIZONTAL CONFIG.

STRUCTURE DETAIL
SCALE: NTS

NOTES:

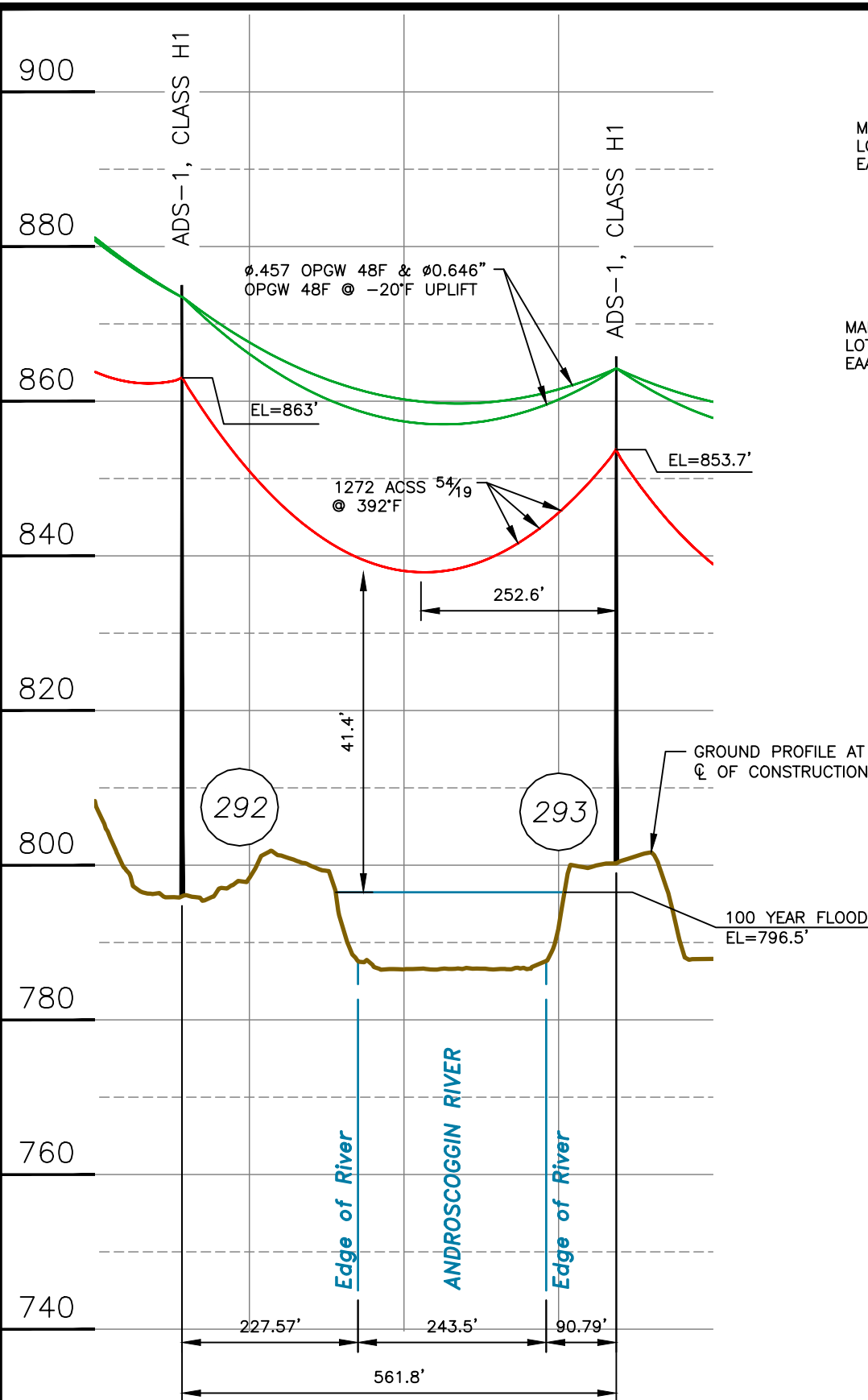
- PARCEL INFORMATION PROVIDED BY NH GRANIT.
- ELEVATIONS REFERENCED TO THE NORTH AMERICAN VERTICAL DATUM OF 1988.
- 100 YEAR FLOOD ELEVATION FROM THE FEMA NATIONAL FLOOD INSURANCE PROGRAM, FLOOD INSURANCE RATE MAP, MAP NUMBER 33007C0989D, EFFECTIVE DATE 2/20/2013.



EVERSOURCE ENERGY		T	1
		DRAWN	CTS
S136, 115kV LINE MOOSE BROOK, PUBLIC WATER CROSSING GORHAM, NEW HAMPSHIRE EXHIBIT 6		ENGINEER	CJN
		CHECKED	CJT
SCALE: AS SHOWN		APPROVED	CJN
		DATE	12/15/2023
FILE: 04073-81001.DWG		DRAWING NO. 04073-81001	

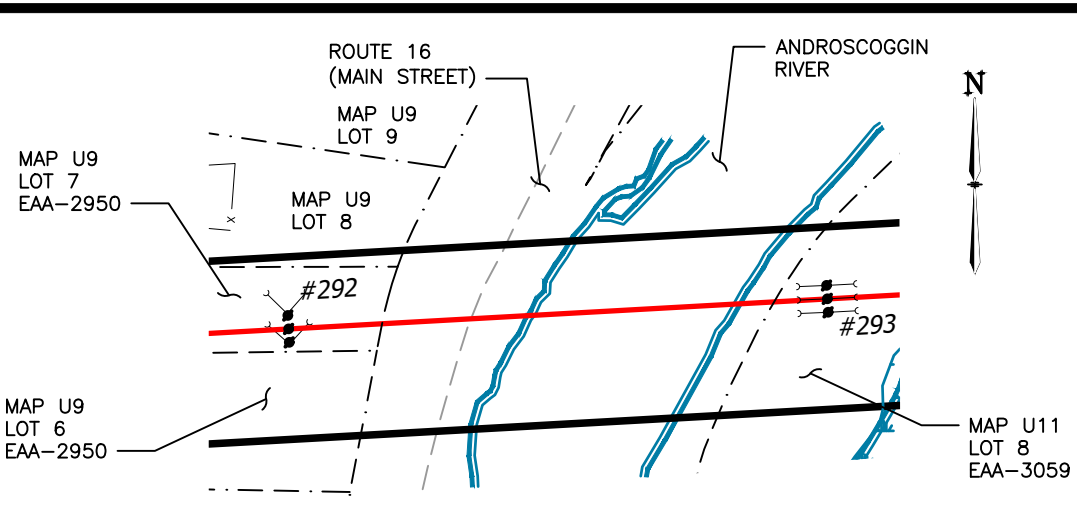
DWG REV	ISSUED TO	EPN/DESCRIPTION	CONT/PE#	DATE	DRN	CHKD	APPR
1	DOE (T1485A)			12/15/23	CTS	CJT	CJN

12/19/2023 8:56 AM - spensct - N:\Adept WORK AREA\NH WORK AREA\SPENSCT\115KV MILESHEET WORK\04073-81001.dwg - WATER 292-293ES VER: 12/2016



PROFILE VIEW

SCALE: HORZ 1" = 200'
VERT 1" = 20'



PLAN VIEW

SCALE: 1" = 200'

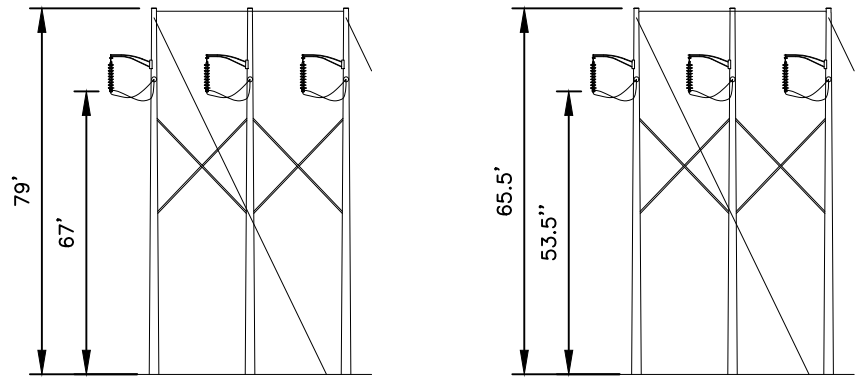
LEGEND:

- STRUCTURE (WITH GUYS)
- PROPERTY BOUNDARY
- S136 LINE 115KV LINE, CL OF CONSTRUCTION
- LIMITS OF EVERSOURCE RIGHT OF WAY
- WATERBODY

STRUCTURE LOCATION		
STRUCTURE	LONGITUDE	LATITUDE
292	-71.19969664	44.40457488
293	-71.19754965	44.40465198

NESC VERTICAL CLEARANCE (FT) FROM TABLE 232.1, C2-2012	
NATURE OF SURFACE UNDERNEATH WIRES, CONDUCTORS OR CABLES	115kV
WATER AREAS NOT SUITABLE FOR SAIL BOATING OR WHERE SAIL BOATING IS PROHIBITED	18.6

CABLE SCHEDULE						
WIRE	QTY OF CABLES	DESCRIPTION	DESIGN CONDITIONS			
			MAX DESIGN TENSION (lb)	TEMP (°F)	ICE (in)	WIND (psf)
CONDUCTOR	3	1272 ACSS 54/19 "PHEASANT"	10000	0	0.5	4
OPGW	1	48F Ø0.646 AFL	4200	0	0.5	4
OPGW	1	48F Ø0.457 AFL	3200	0	0.5	4



STRUCTURE 292
TYPE ADS

STR 292: IS AN EVERSOURCE TYPE ADS, SINGLE CIRCUIT STEEL DEADEND, HORIZONTAL CONFIG. GUYED.

STRUCTURE 293
TYPE ADS

STR 293: IS AN EVERSOURCE TYPE ADS, SINGLE CIRCUIT STEEL DEADEND, HORIZONTAL CONFIG. GUYED.

STRUCTURE DETAIL

SCALE: NTS

NOTES:

- PARCEL INFORMATION PROVIDED BY NH GRANIT.
- ELEVATIONS REFERENCED TO THE NORTH AMERICAN VERTICAL DATUM OF 1988.
- 100 YEAR FLOOD ELEVATION FROM THE FEMA NATIONAL FLOOD INSURANCE PROGRAM, FLOOD INSURANCE RATE MAP, MAP NUMBER 33007C0989D, EFFECTIVE DATE 2/20/2013.



1	ISSUED TO DOE (T1485A)	12/15/23	CTS	CJT	CJN	
DWG REV	EPN/DESCRIPTION	CONT/PE#	DATE	DRN	CHKD	APPR

EVERSOURCE ENERGY

S136, 115kV LINE
ANDROSCOGGIN RIVER, PUBLIC WATER CROSSING
GORHAM, NEW HAMPSHIRE
EXHIBIT 7

SCALE AS SHOWN	FILE: 04073-81001.DWG IMAGE:	DRAWING NO. 04073-81001
-------------------	---------------------------------	----------------------------