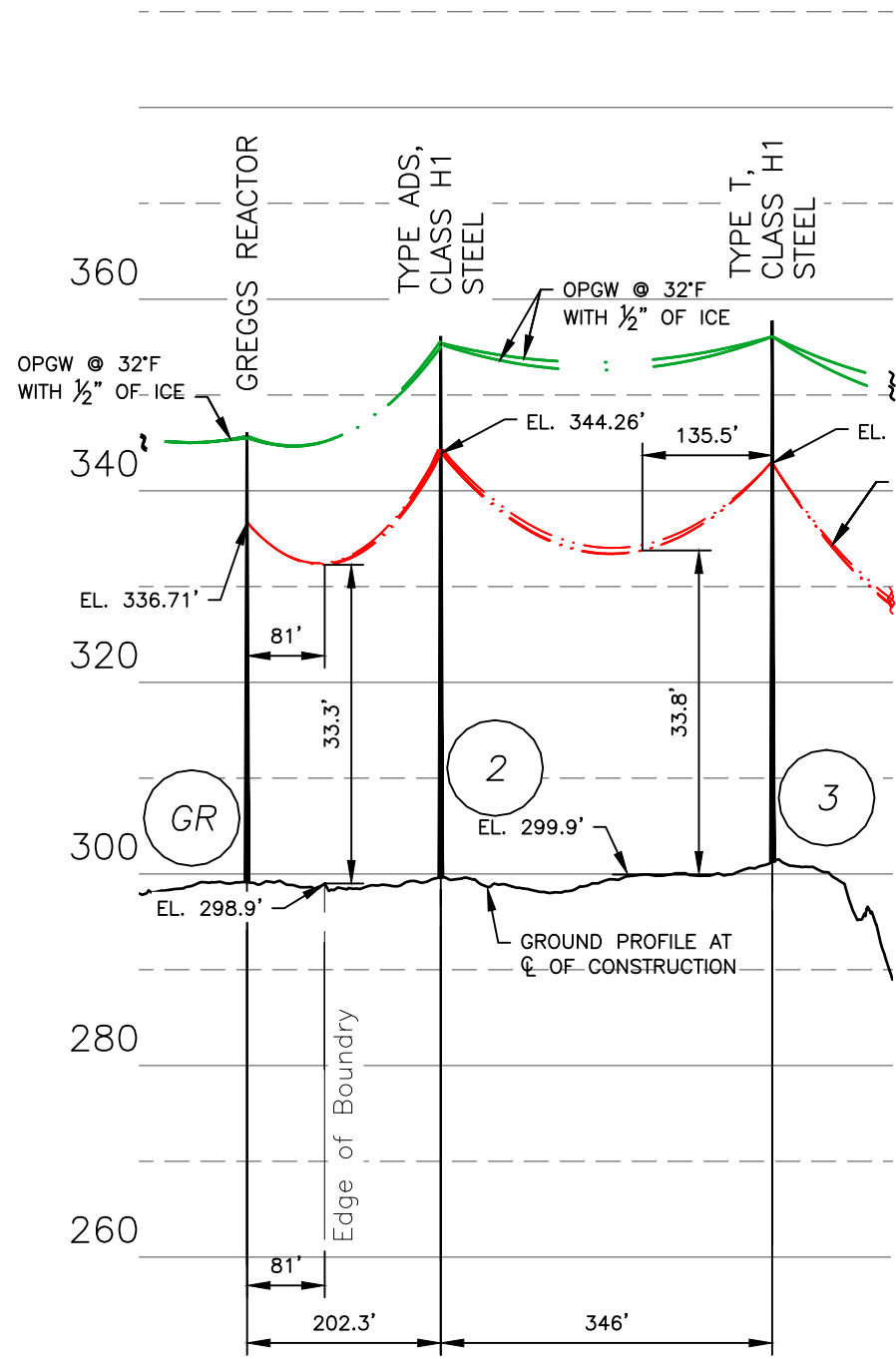


LEGEND:

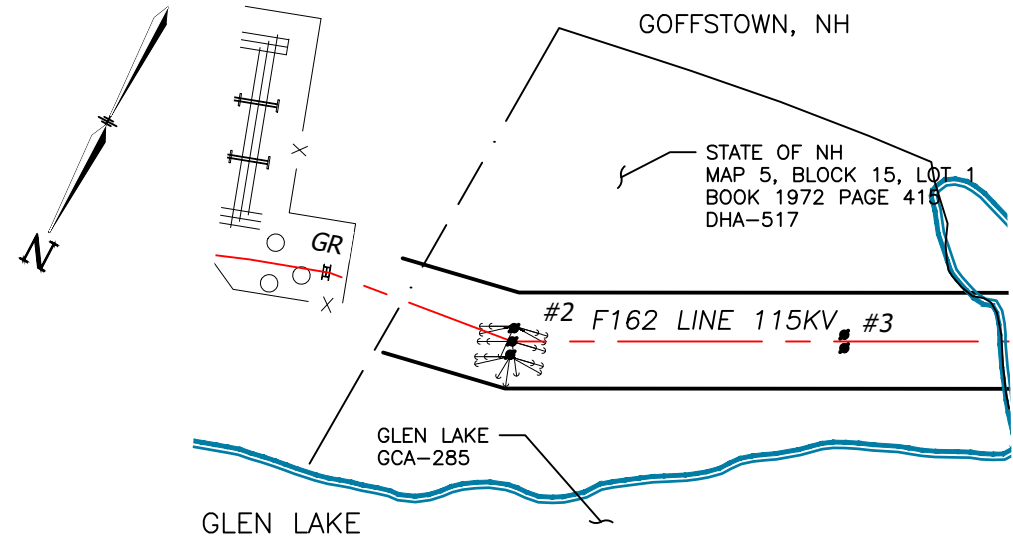
- F162 LINE:
- F162 STR:

DWG REV	EPN/DESCRIPTION	CONT/PE#	DATE	DRN	CHKD	APPR
1	ISSUED FOR DOE		7/13/23	NEB	JJD	CRP

<h1 style="margin: 0;">EVERSOURCE ENERGY</h1>		T	1
		DRAWN NEB	ENGINEER CRP
<p>F162, 115kV LINE STATE OWNED LAND & PUBLIC WATER CROSSING GOFFSTOWN, NEW HAMPSHIRE EXHIBIT 1</p>		CHECKED JJD	APPROVED CRP
		DATE 5/25/23	
		DRAWING NO. 04028-81002	
SCALE 1" = 5000'	FILE: 04028-81002.DWG IMAGE:		



PROFILE VIEW
SCALE: HORZ 1" = 200'
VERT 1" = 20'



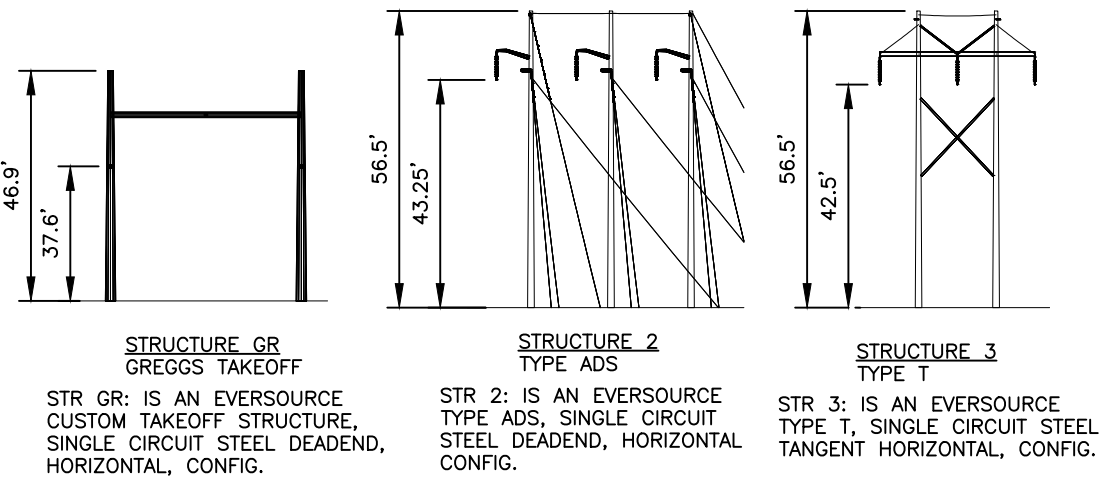
PLAN VIEW
SCALE: 1" = 200'

LEGEND:

	#2	STRUCTURE (GUYED)
	F162 LINE 115KV	LINE, C/L OF CONSTRUCTION
		LIMITS OF EVERSOURCE RIGHT OF WAY
		PROPERTY LINE
		WATERBODY

STRUCTURE LOCATION		
STRUCTURE	LONGITUDE	LATITUDE
GR	-71.57158965	43.01551565
2	-71.57234200	43.01544662
3	-71.57348691	43.01500457

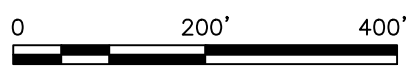
NESC VERTICAL CLEARANCE (FT)	
FROM TABLE 232.1, C2-2012	
NATURE OF SURFACE UNDERNEATH WIRES, CONDUCTORS OR CABLES	115kV
OTHER AREAS TRAVERSED BY VEHICLES, SUCH AS CULTIVATED, GRAZING, FOREST, AND ORCHARD LANDS, INDUSTRIAL SITES, COMMERCIAL SITES, ETC	20.1



STRUCTURE DETAIL
SCALE: NTS

CABLE SCHEDULE						
WIRE	QTY OF CABLES	DESCRIPTION	DESIGN CONDITIONS			
			MAX DESIGN TENSION (lb)	TEMP (°F)	ICE (in)	WIND (psf)
CONDUCTOR	3	ACSR, 1590 kcmil 45/7, LAPWING	11400	0	0.5	4
OPGW	1	48F #0.646" AFL DNO-11852	1500	0	0.5	4
OPGW	1	SFPOC 84 FIBER	1500	0	0.5	4

- NOTES:**
- PARCEL INFORMATION PROVIDED BY NH GRANIT.
 - ELEVATIONS REFERENCED TO THE NORTH AMERICAN VERTICAL DATUM OF 1988.



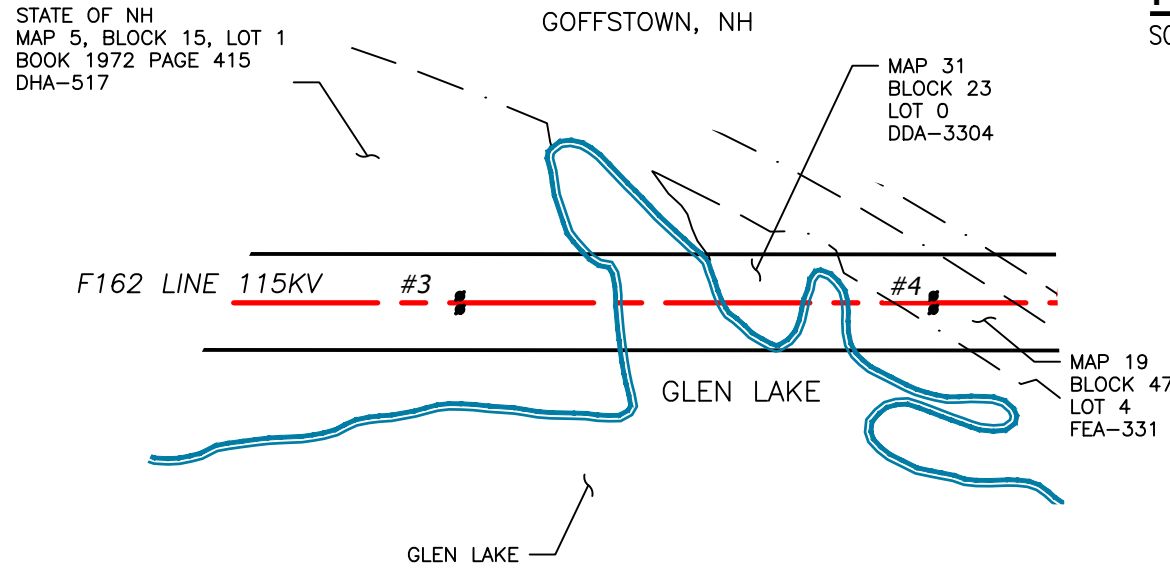
EVERSOURCE ENERGY		T	1
		DRAWN	NEB
F162, 115kV LINE STATE LAND CROSSING GOFFSTOWN, NEW HAMPSHIRE EXHIBIT 2		ENGINEER	CRP
		CHECKED	JJD
SCALE AS SHOWN		APPROVED	CRP
		DATE	5/25/23
DRAWING NO. 04028-81002		FILE: 04028-81002.DWG	

DWG REV	ISSUED FOR	EPN/DESCRIPTION	CONT/PE#	DATE	DRN	CHKD	APPR
1	ISSUED FOR DOE			7/13/23	NEB	JJD	CRP

10/30/2023 1:15 PM - spensct - N:\Adept WORK AREA\NH WORK AREA\SPENSCT\115KV MILESHEET WORK...04028-82002.dwg - EXHIBIT 3 (WATERS CROSSING) 2016

PLAN VIEW

SCALE: 1" = 200'



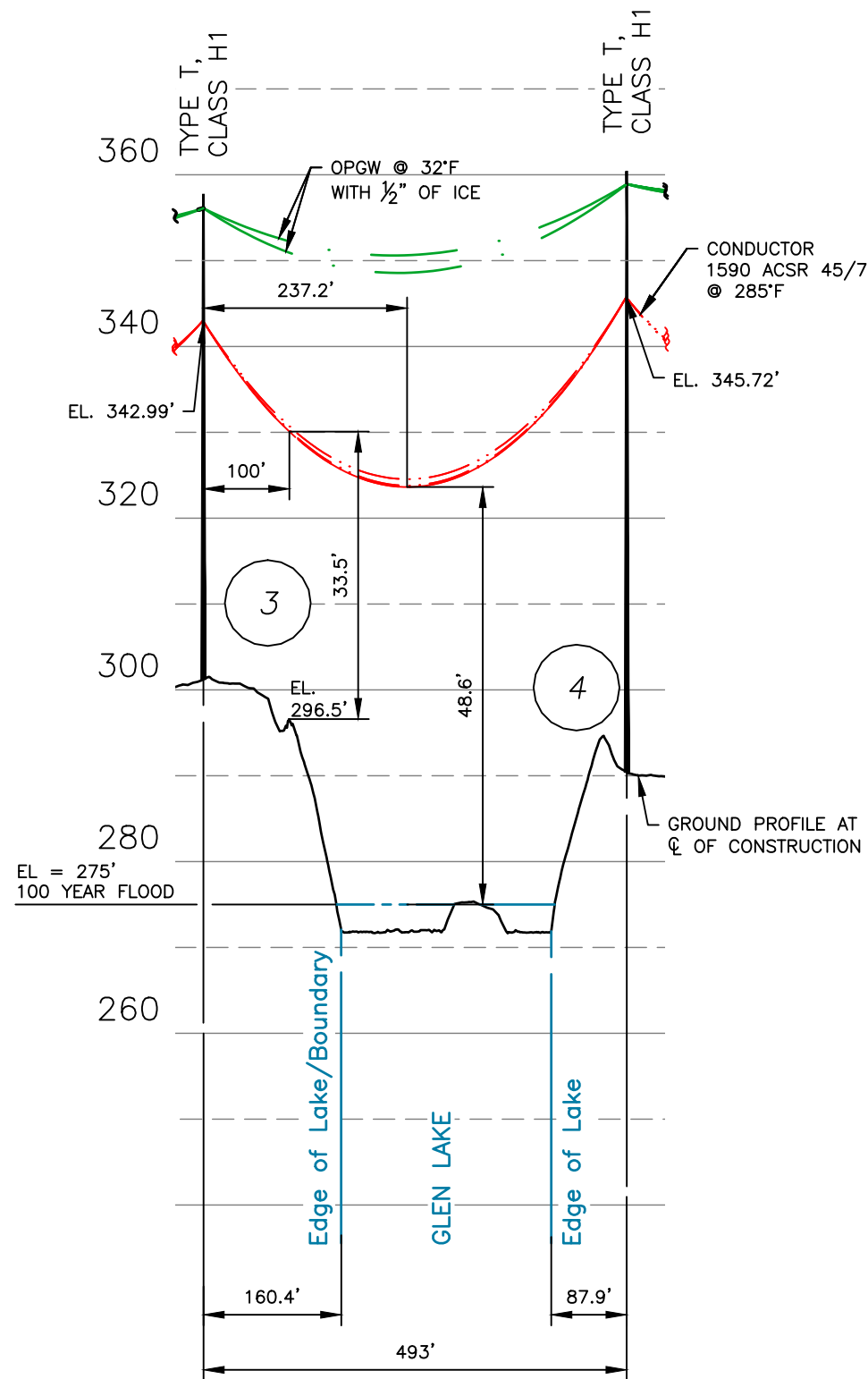
LEGEND:

- #3 STRUCTURE
- F162 LINE 115KV LINE, ϕ OF CONSTRUCTION
- LIMITS OF EVERSOURCE RIGHT OF WAY
- PROPERTY LINE
- WATERBODY

STRUCTURE LOCATION		
STRUCTURE	LONGITUDE	LATITUDE
3	-71.57348691	43.01500457
4	-71.57511820	43.01437470

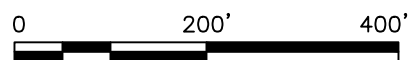
NESC VERTICAL CLEARANCE (FT) FROM TABLE 232.1, C2-2012	
NATURE OF SURFACE UNDERNEATH WIRES, CONDUCTORS OR CABLES	115kV
WATER AREAS SUITABLE FOR SAIL BOATING INCLUDING LAKES, PONDS, RESERVOIRS, TIDAL WATERS, RIVERS, STREAMS, AND CANALS WITH AN UNUPSTRUCTED SURFACE AREA OF OVER 20 TO 200 ACRES	30.1
OTHER AREAS TRAVERSED BY VEHICLES, SUCH AS CULTIVATED, GRAZING, FOREST, AND ORCHARD LANDS, INDUSTRIAL SITES, COMMERCIAL SITES, ETC	20.1

CABLE SCHEDULE						
WIRE	QTY OF CABLES	DESCRIPTION	DESIGN CONDITIONS			
			MAX DESIGN TENSION (lb)	TEMP (°F)	ICE (in)	WIND (psf)
CONDUCTOR	3	ACSR, 1590 kcmil 45/7, LAPWING	11400	0	0.5	4
OPGW	1	48F ϕ 0.646" AFL DNO-11852	1500	0	0.5	4
OPGW	1	SFPOC 84 FIBER	1500	0	0.5	4



PROFILE VIEW

SCALE: HORZ 1" = 200'
VERT 1" = 20'

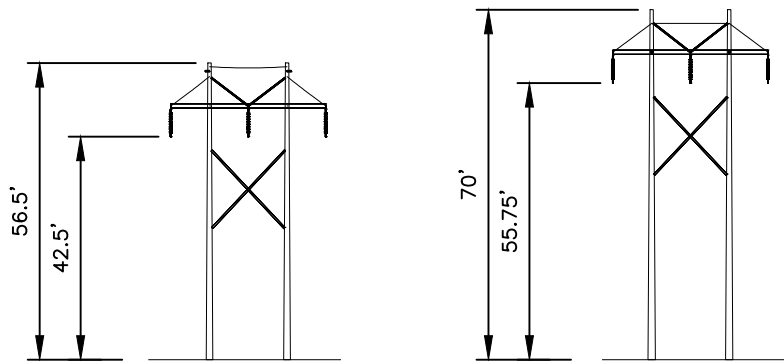


STATE OF NH
MAP 5, BLOCK 15, LOT 1
BOOK 1972 PAGE 415
DHA-517

GOFFSTOWN, NH

MAP 31
BLOCK 23
LOT 0
DDA-3304

MAP 19
BLOCK 47
LOT 4
FEA-331



STRUCTURE DETAIL

SCALE: NTS

NOTES:

- PARCEL INFORMATION PROVIDED BY NH GRANIT.
- ELEVATIONS REFERENCED TO THE NORTH AMERICAN VERTICAL DATUM OF 1988.
- THE 100 YEAR FLOOD ELEVATION FROM FEMA FLOOD MAP SERVICE CENTER, NATIONAL FLOOD HAZARD LAYER FIRMETTE, 33011C0214D, EFFECTIVE 9/25/2009.

DWG REV	ISSUED FOR	DATE	DRN	CHKD	APPR
1	ISSUED FOR DOE	7/13/23	NEB	JJD	CRP

EVERSOURCE ENERGY

**F162, 115kV LINE
GLEN LAKE AND STATE LAND CROSSING
GOFFSTOWN, NEW HAMPSHIRE
EXHIBIT 3**

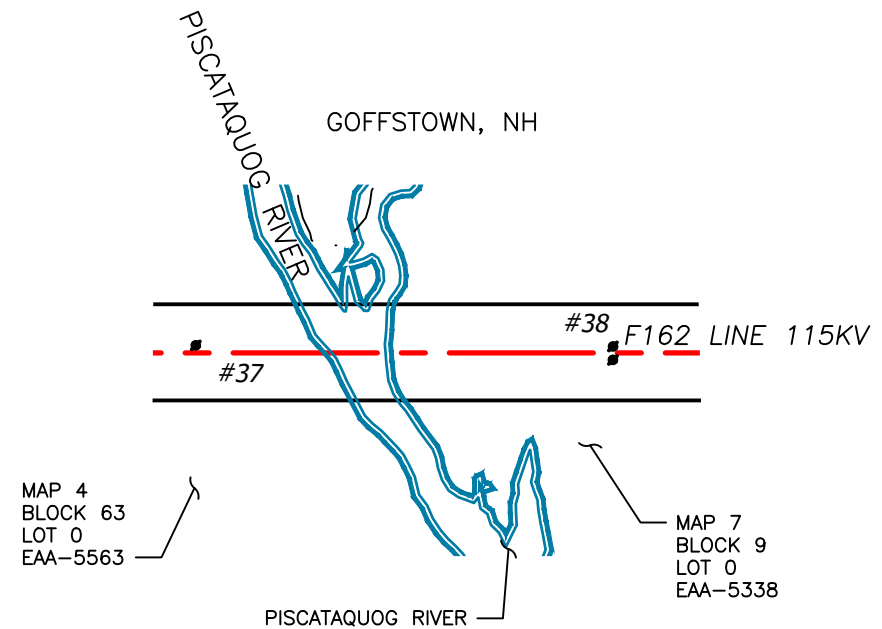
DRAWN NEB	T 1
ENGINEER CRP	CHECKED JJD
APPROVED CRP	DATE 5/15/23

SCALE AS SHOWN FILE: 04028-82002.DWG DRAWING NO. 04028-82002

10/30/2023 1:15 PM - spensct - N:\Adept WORK AREA\NH WORK AREA\SPENSCT\115KV MILESHEET WORK...04028-82002.dwg - EXHIBIT 4 (WATERS CROSSING) 2016

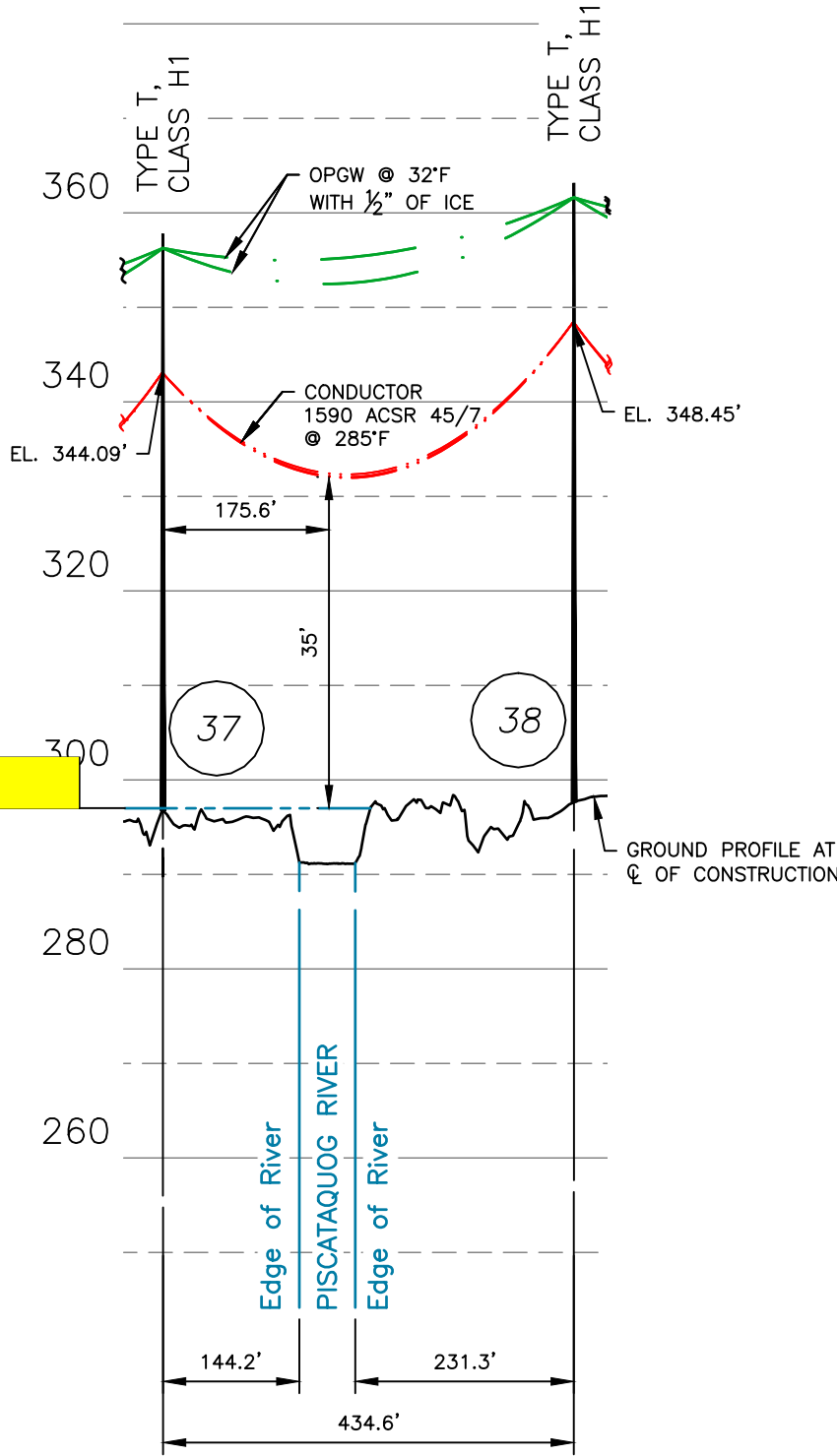
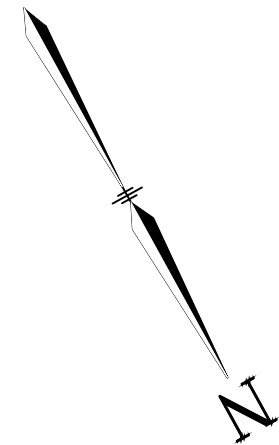
PLAN VIEW

SCALE: 1" = 200'



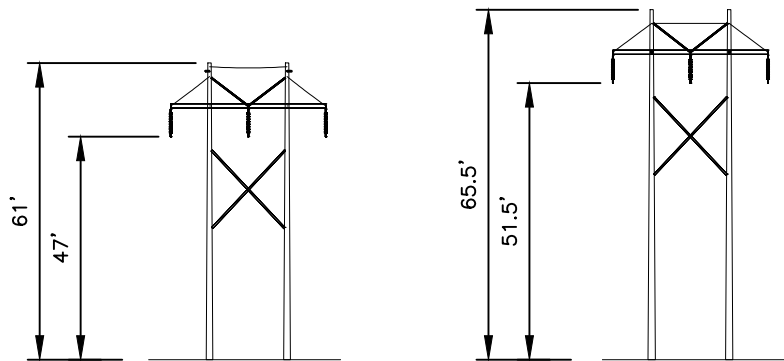
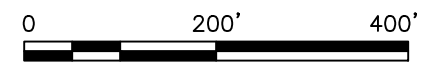
LEGEND:

- #37 STRUCTURE
- F162 LINE 115KV LINE, ☐ OF CONSTRUCTION
- LIMITS OF EVERSOURCE RIGHT OF WAY
- PROPERTY LINE
- WATERBODY



PROFILE VIEW

SCALE: HORZ 1" = 200'
VERT 1" = 20'



STRUCTURE DETAIL

SCALE: NTS

STRUCTURE 37
TYPE T
STR 37: IS AN EVERSOURCE TYPE T, SINGLE CIRCUIT STEEL TANGENT HORIZONTAL, CONFIG.

STRUCTURE 38
TYPE T
STR 38: IS AN EVERSOURCE TYPE T, SINGLE CIRCUIT STEEL TANGENT HORIZONTAL, CONFIG.

STRUCTURE LOCATION		
STRUCTURE	LONGITUDE	LATITUDE
38	-71.62470317	43.02192231

NESC VERTICAL CLEARANCE (FT) FROM TABLE 232.1, C2-2012	
NATURE OF SURFACE UNDERNEATH WIRES, CONDUCTORS OR CABLES	115kV
WATER AREAS NOT SUITABLE FOR SAIL BOATING OR WHERE SAIL BOATING IS PROHIBITED	18.6

WIRE	DESCRIPTION	CLEARANCE (FT)			
		MAX DESIGN TENSION (lb)	ICE (in)	WIND (mph)	WIND (ft)
CONDUCTOR	ACSR, 1590 kcmil 45/7, LAPWING	1500	0	4	4
OPGW	SFPOC 84 FIBER	1500	0	4	4

- PARCEL INFORMATION PROVIDED BY NH GRANIT.
- ELEVATIONS REFERENCED TO THE NORTH AMERICAN VERTICAL DATUM OF 1988.
- THE 100 YEAR FLOOD ELEVATION FROM FEMA FLOOD MAP SERVICE CENTER, NATIONAL FLOOD HAZARD LAYER FIRMETTE, 33011C0194D, EFFECTIVE 9/25/2009.

DWG REV	EPN/DESCRIPTION	CONT/PE#	DATE	DRN	CHKD	APPR
1			7/13/23		JJD	

EVERSOURCE ENERGY

**F162, 115kV LINE
PISCATAQUOG RIVER WATER CROSSING
GOFFSTOWN, NEW HAMPSHIRE
EXHIBIT 4**

SCALE AS SHOWN	FILE: 04028-82002.DWG IMAGE:	DRAWING NO. 04028-82002
-------------------	---------------------------------	-----------------------------------

T	1
DRAWN NEB	ENGINEER CRP
CHECKED JJD	APPROVED CRP
DATE 5/15/23	

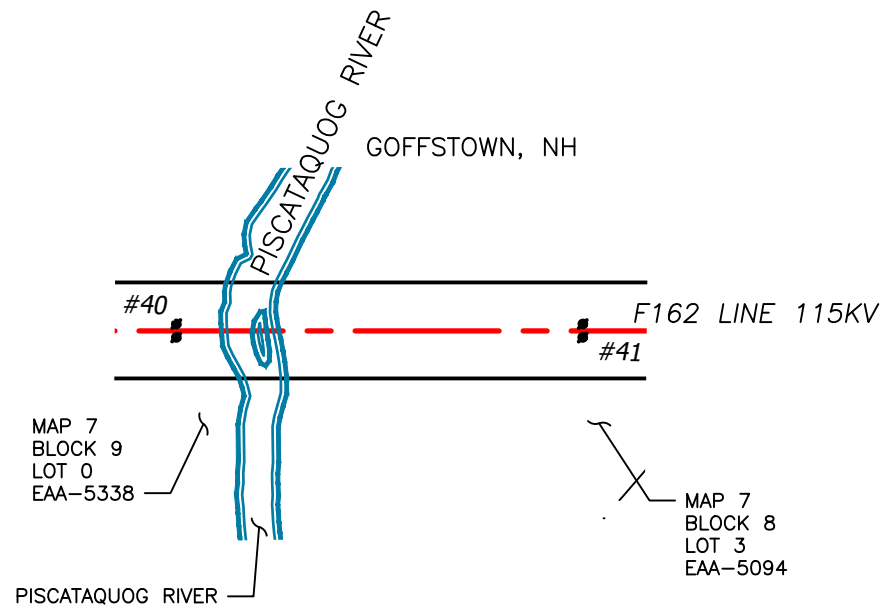
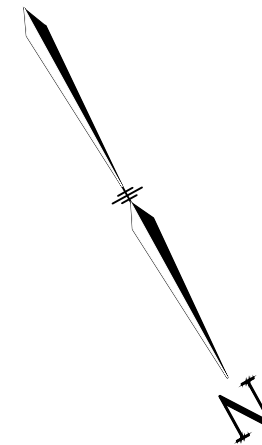
10/30/2023 1:15 PM - spensct - N:\Adept WORK AREA\NH WORK AREA\SPENSCT\115KV MILESHEET WORK\...04028-82002.dwg - EXHIBIT 5 (WATERS CROSSING) 2016

PLAN VIEW

SCALE: 1" = 200'

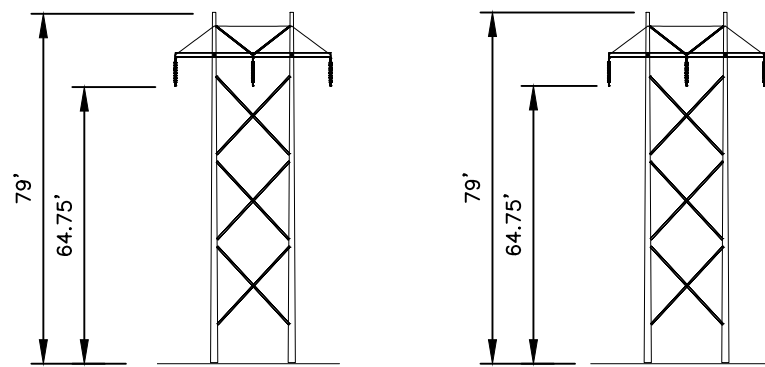
LEGEND:

- #40 STRUCTURE
- F162 LINE 115KV LINE, ☐ OF CONSTRUCTION
- LIMITS OF EVERSOURCE RIGHT OF WAY
- PROPERTY LINE
- WATERBODY



STRUCTURE LOCATION		
STRUCTURE	LONGITUDE	LATITUDE
40	-71.62937920	43.02323741
41	-71.63076627	43.02379819

NESC VERTICAL CLEARANCE (FT) FROM TABLE 232.1, C2-2012	
NATURE OF SURFACE UNDERNEATH WIRES, CONDUCTORS OR CABLES	115kV
WATER AREAS NOT SUITABLE FOR SAIL BOATING OR WHERE SAIL BOATING IS PROHIBITED	18.6



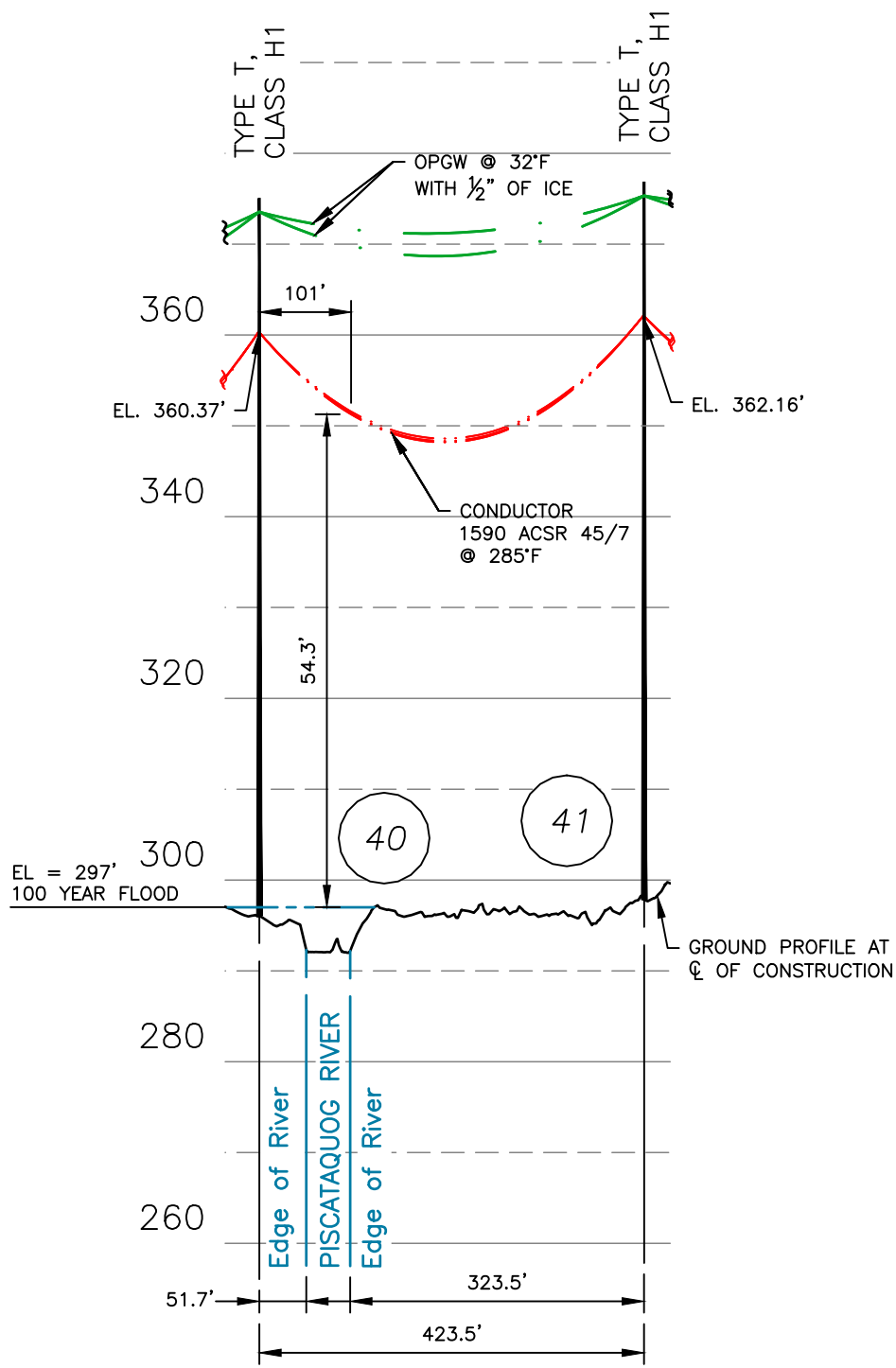
STRUCTURE 40
TYPE T
STR 40: IS AN EVERSOURCE TYPE T, SINGLE CIRCUIT STEEL TANGENT HORIZONTAL, CONFIG.

STRUCTURE 41
TYPE T
STR 41: IS AN EVERSOURCE TYPE T, SINGLE CIRCUIT STEEL TANGENT HORIZONTAL, CONFIG.

STRUCTURE DETAIL

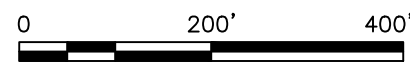
SCALE: NTS

CABLE SCHEDULE						
WIRE	QTY OF CABLES	DESCRIPTION	DESIGN CONDITIONS			
			MAX DESIGN TENSION (lb)	TEMP (°F)	ICE (in)	WIND (psf)
CONDUCTOR	3	ACSR, 1590 kcmil 45/7, LAPWING	11400	0	0.5	4
OPGW	1	48F Ø0.646" AFL DNO-11852	1500	0	0.5	4
OPGW	1	SFPOC 84 FIBER	1500	0	0.5	4



PROFILE VIEW

SCALE: HORZ 1" = 200'
VERT 1" = 20'



NOTES:

- PARCEL INFORMATION PROVIDED BY NH GRANIT.
- ELEVATIONS REFERENCED TO THE NORTH AMERICAN VERTICAL DATUM OF 1988.
- THE 100 YEAR FLOOD ELEVATION FROM FEMA FLOOD MAP SERVICE CENTER, NATIONAL FLOOD HAZARD LAYER FIRMETTE, 33011C0194D, EFFECTIVE 9/25/2009.

1	ISSUED FOR DOE	7/13/23	NEB	JJD	CRP
DWG REV	EPN/DESCRIPTION	CONT/PE#	DATE	DRN	CHKD

EVERSOURCE ENERGY

**F162, 115kV LINE
PISCATAQUOG RIVER WATER CROSSING
GOFFSTOWN, NEW HAMPSHIRE
EXHIBIT 5**

SCALE AS SHOWN	FILE: 04028-82002.DWG IMAGE:	DRAWING NO. 04028-82002
-------------------	---------------------------------	-----------------------------------

T	1
DRAWN NEB	
ENGINEER CRP	
CHECKED JJD	
APPROVED CRP	
DATE 5/15/23	