





**LEGEND:**

E194 LINE: 

E194 STR: 

**EVERSOURCE ENERGY**

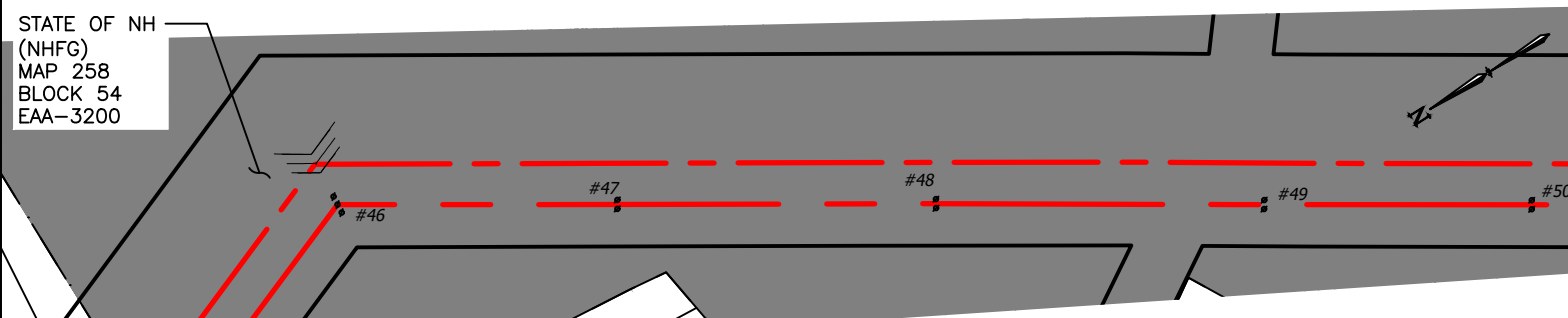
E194 115kV LINE  
STATE LAND CROSSING, LOCATION PLAN  
PORTSMOUTH, NEW HAMPSHIRE  
EXHIBIT 1

T	1
DRAWN CTS	
ENGINEER PRA	
CHECKED CJN	
APPROVED PRA	
DATE 03/27/2023	

DWG REV	EPN/DESCRIPTION	CONT/PE#	DATE	DRN	CHKD	APPR
1	ISSUED TO DOE		3/27/23	CTS	CJN	PRA

SCALE 1" = 1500'	FILE: 04025-81001.DWG IMAGE:	DRAWING NO. 04025-81001
---------------------	---------------------------------	----------------------------

9/7/2023 8:56 AM - spensct - N:\Adept WORK AREA\NH WORK AREA\SPENSCT\115KV MILESHEET WORK\04025-81001.dwg - EXHIBIT 2 ES VER: 12/2016



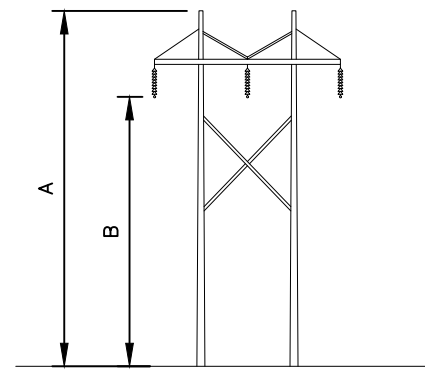
**PLAN VIEW**  
SCALE: 1" = 300'

STRUCTURE LOCATION		
STRUCTURE	LONGITUDE	LATITUDE
44	-70.79258929	43.05725818
45	-70.79226149	43.05663839
46	-70.79174946	43.05564318
47	-70.79263223	43.05463351
48	-70.79363448	43.05348225
49	-70.79467488	43.05230054
50	-70.79552024	43.05133555

STRUCTURE DETAILS				
STRUCTURE	TYPE	MATERIAL	A	B
44	T	STEEL	70	55.3
45	T	STEEL	65.5	50.8
46	T	STEEL	61	46.2
47	T	STEEL	61	46.3
48	T	STEEL	61	46.1
49	T	STEEL	70	55.3
50	T	STEEL	65.5	50.8

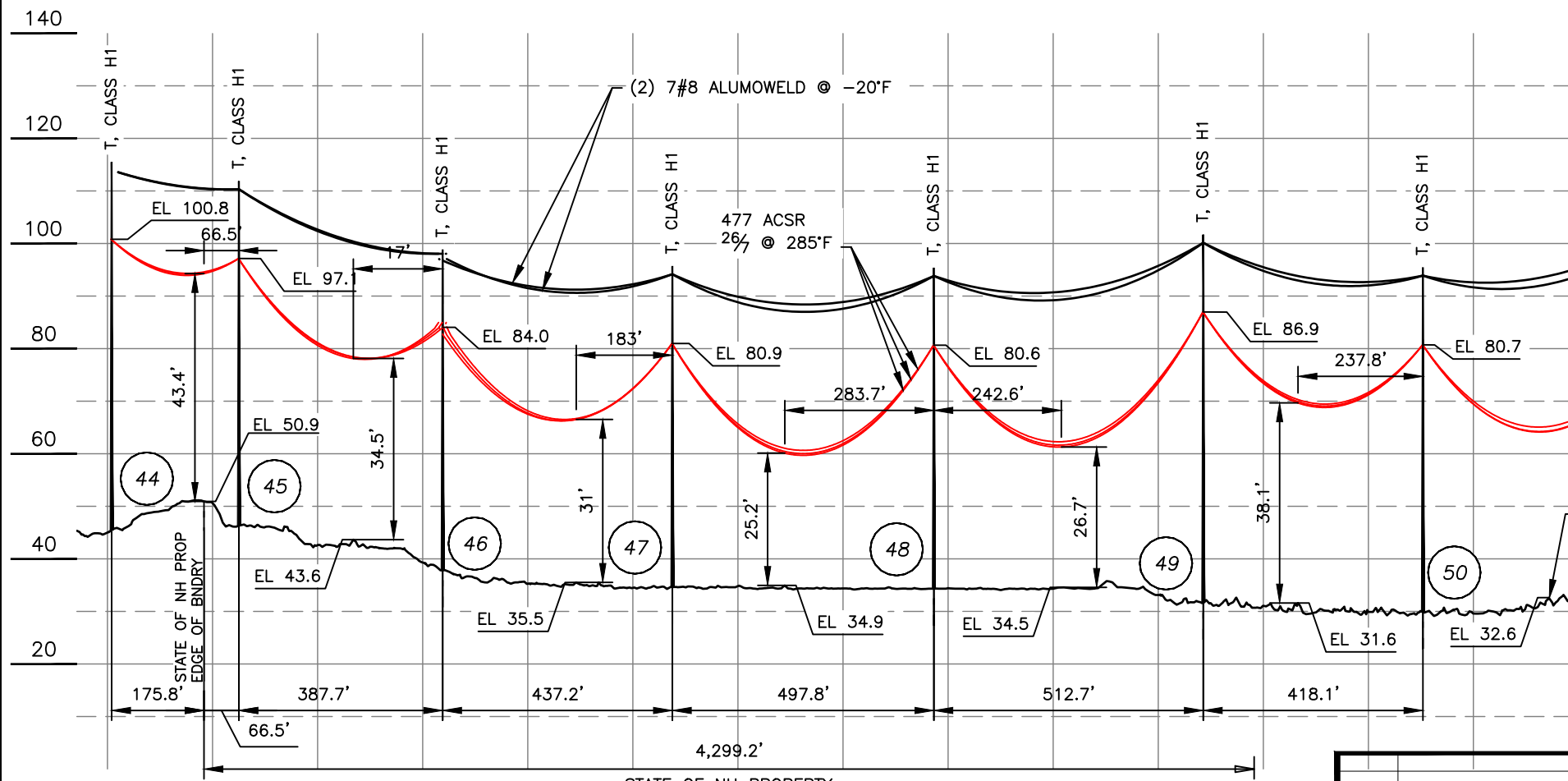
**LEGEND:**

- STRUCTURE (WITH GUYS) #46
- PROPERTY BOUNDARY
- LINE,  $\text{\textcircled{C}}$  OF CONSTRUCTION E194 LINE 115KV
- LIMITS OF EVERSOURCE RIGHT OF WAY
- WATERBODY



STRUCTURES 44-50  
TYPE T  
STR'S: 44, 45, 46, 47, 48, 49, AND 50 ARE AN EVERSOURCE TYPE T, SINGLE CIRCUIT STEEL POLE TANGENT, HORIZONTAL CONFIG.

**STRUCTURE DETAIL**  
SCALE: NTS



**PROFILE VIEW**  
SCALE: HORIZ 1" = 300'  
VERT 1" = 30'

NESC VERTICAL CLEARANCE (FT)		FROM TABLE 232.1, C2-2012
NATURE OF SURFACE UNDERNEATH WIRES, CONDUCTORS OR CABLES	115kV	
OTHER AREAS TRAVERSED BY VEHICLES, SUCH AS CULTIVATED, GRAZING, FOREST, AND ORCHARD LANDS, INDUSTRIAL SITES, COMMERCIAL SITES, ETC	20.1	

CABLE SCHEDULE						
WIRE	QTY OF CABLES	DESCRIPTION	DESIGN CONDITIONS			
			MAX DESIGN TENSION (lb)	TEMP (°F)	ICE (in)	WIND (psf)
CONDUCTOR	3	477 26/7 ACSR "Hawk"	4000	0	0.5	4
STATIC	2	7#8 ALUMOWELD	3500	0	0.5	4

- NOTES:**
- PARCEL INFORMATION PROVIDED BY NH GRANIT.
  - ELEVATIONS REFERENCED TO THE NORTH AMERICAN VERTICAL DATUM OF 1988.

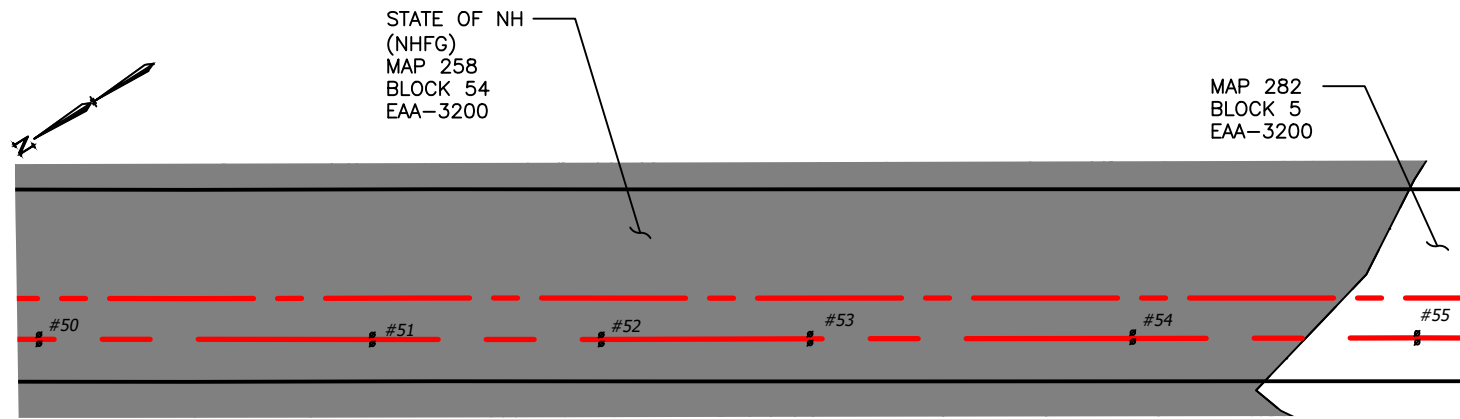
DWG REV	EPN/DESCRIPTION	CONT/PE#	DATE	DRN	CHKD	APPR
2	UPDATED DIMENSIONS AND TENSIONS		8/24/23	CTS	APS	APS
1	ISSUED TO DOE		3/27/23	CTS	CJN	PRA

**E194, 115kV LINE  
STATE LAND CROSSING  
PORTSMOUTH, NEW HAMPSHIRE  
EXHIBIT 2**

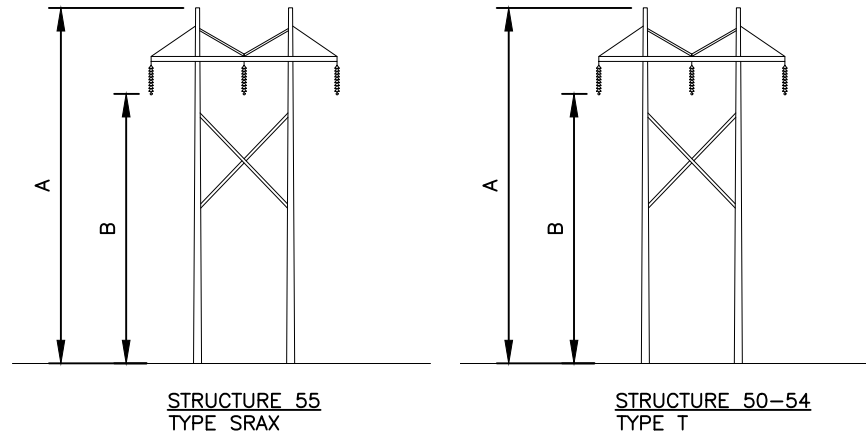
SCALE AS SHOWN	FILE: 04025-81001.DWG IMAGE:	DRAWING NO. 04025-81001
-------------------	---------------------------------	----------------------------

T   2
DRAWN CTS
ENGINEER PRA
CHECKED CJN
APPROVED PRA
DATE 03/27/2023

9/7/2023 8:56 AM - spensct - N:\Adept WORK AREA\NH WORK AREA\SPENSCT\115KV MILESHEET WORK...04025-81001.dwg - EXHIBIT 3 ES VER: 12/2016



**PLAN VIEW**  
SCALE: 1" = 300'



STR 55: ARE AN EVERSOURCE TYPE SRAX, SINGLE CIRCUIT STEEL POLE TANGENT, HORIZONTAL CONFIG.  
STR'S 50,51,52,53,54: ARE EVERSOURCE TYPE T, SINGLE CIRCUIT STEEL POLES TANGENT, HORIZONTAL CONFIG.

**LEGEND:**

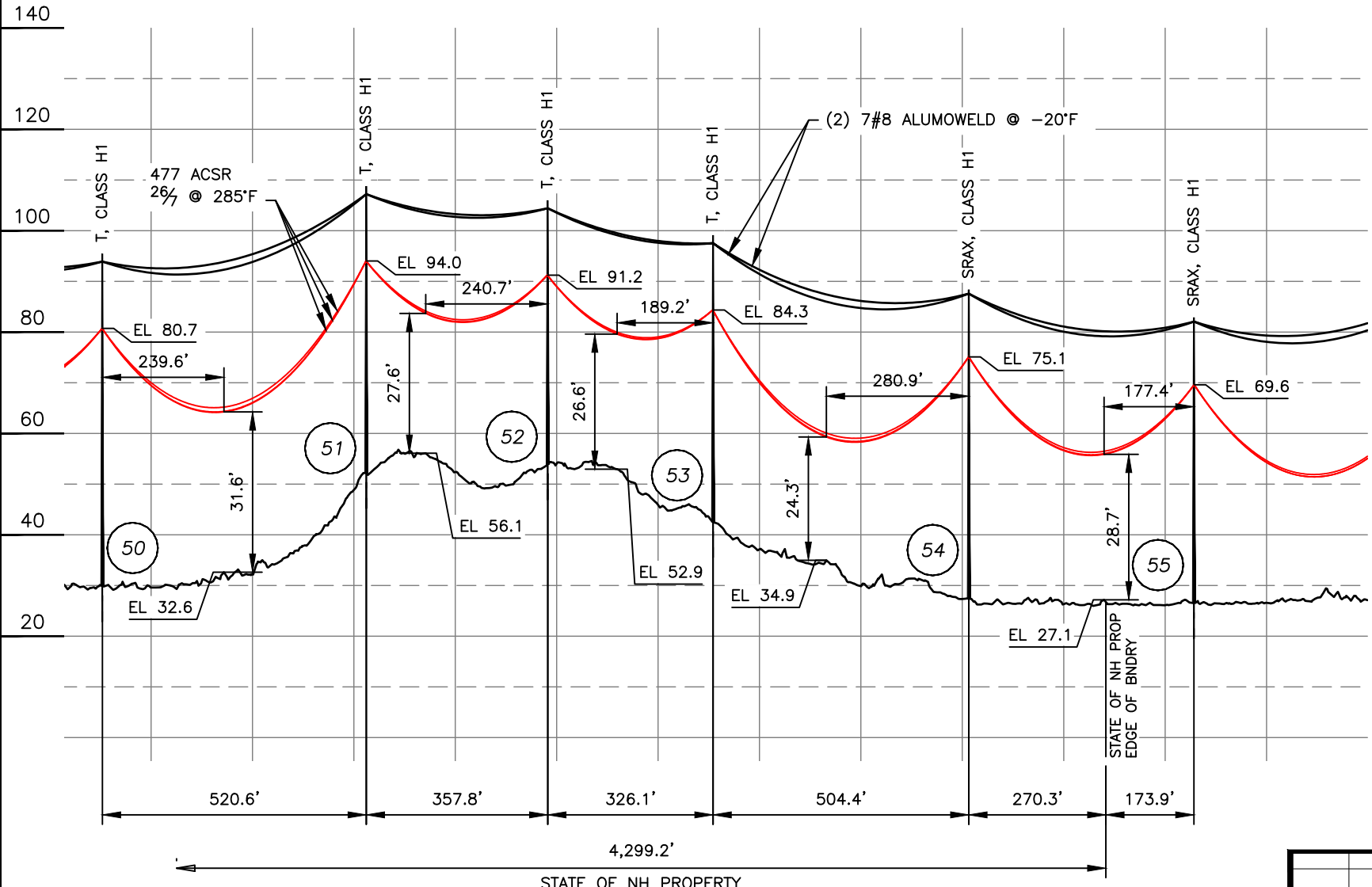
- #135 STRUCTURE
- PROPERTY BOUNDARY
- E194 LINE 115KV LINE, C OF CONSTRUCTION
- LIMITS OF EVERSOURCE RIGHT OF WAY
- WATERBODY

STRUCTURE LOCATION		
STRUCTURE	LONGITUDE	LATITUDE
50	-70.79552024	43.05133555
51	-70.79657366	43.05013422
52	-70.79729797	43.04930861
53	-70.797954	43.04855425
54	-70.79897496	43.04739056
55	-70.79986884	43.0463633

STRUCTURE DETAILS				
STRUCTURE	TYPE	MATERIAL	A	B
50	T	STEEL	65.5	50.8
51	T	STEEL	56.5	41.8
52	T	STEEL	52	37.3
53	T	STEEL	56.5	41.8
54	SRAX	STEEL	60.9	47.7
55	SRAX	STEEL	56.3	43.1

NESC VERTICAL CLEARANCE (FT)		FROM
TABLE 232.1, C2-2012		
NATURE OF SURFACE UNDERNEATH WIRES, CONDUCTORS OR CABLES		115kV
OTHER AREAS TRAVERSED BY VEHICLES, SUCH AS CULTIVATED, GRAZING, FOREST, AND ORCHARD LANDS, INDUSTRIAL SITES, COMMERCIAL SITES, ETC		20.1

**STRUCTURE DETAIL**  
SCALE: NTS



**PROFILE VIEW**  
SCALE: HORZ 1" = 300'  
VERT 1" = 30'

CABLE SCHEDULE						
WIRE	QTY OF CABLES	DESCRIPTION	DESIGN CONDITIONS			
			MAX DESIGN TENSION (lb)	TEMP (°F)	ICE (in)	WIND (psf)
CONDUCTOR	3	477 26/7 ACSR "Hawk"	4000	0	0.5	4
STATIC	2	7#8 ALUMOWELD	3500	0	0.5	4

- NOTES:**
- PARCEL INFORMATION PROVIDED BY NH GRANIT.
  - ELEVATIONS REFERENCED TO THE NORTH AMERICAN VERTICAL DATUM OF 1988.

DWG REV	EPN/DESCRIPTION	CONT/PE#	DATE	DRN	CHKD	APPR
2	UPDATED DIMENSIONS AND TENSIONS		8/24/23	CTS	APS	APS
1	ISSUED TO DOE		3/27/23	CTS	CJN	PRA

**E194, 115kV LINE  
STATE LAND CROSSING  
PORTSMOUTH, NEW HAMPSHIRE  
EXHIBIT 3**

T	2
DRAWN	CTS
ENGINEER	PRA
CHECKED	CJN
APPROVED	PRA
DATE	03/27/2023