



**LEGEND:**

B143 LINE: 

B143 STR: 

**EVERSOURCE ENERGY**

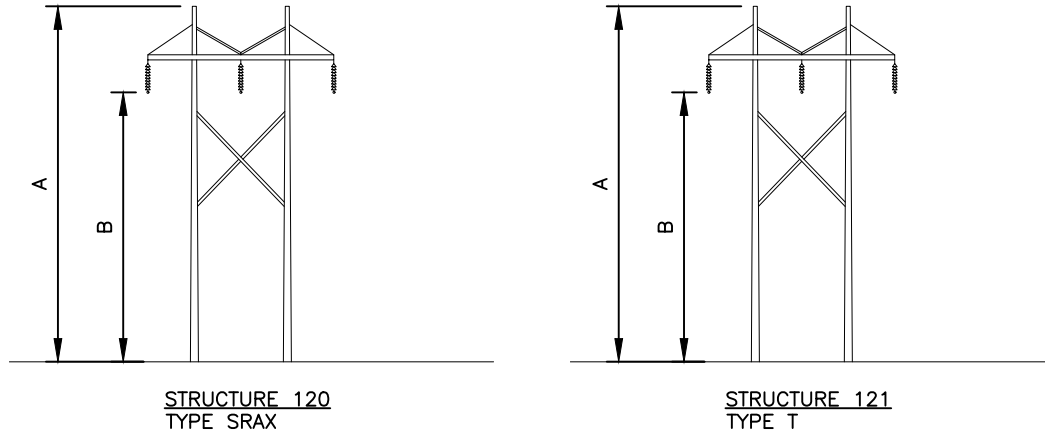
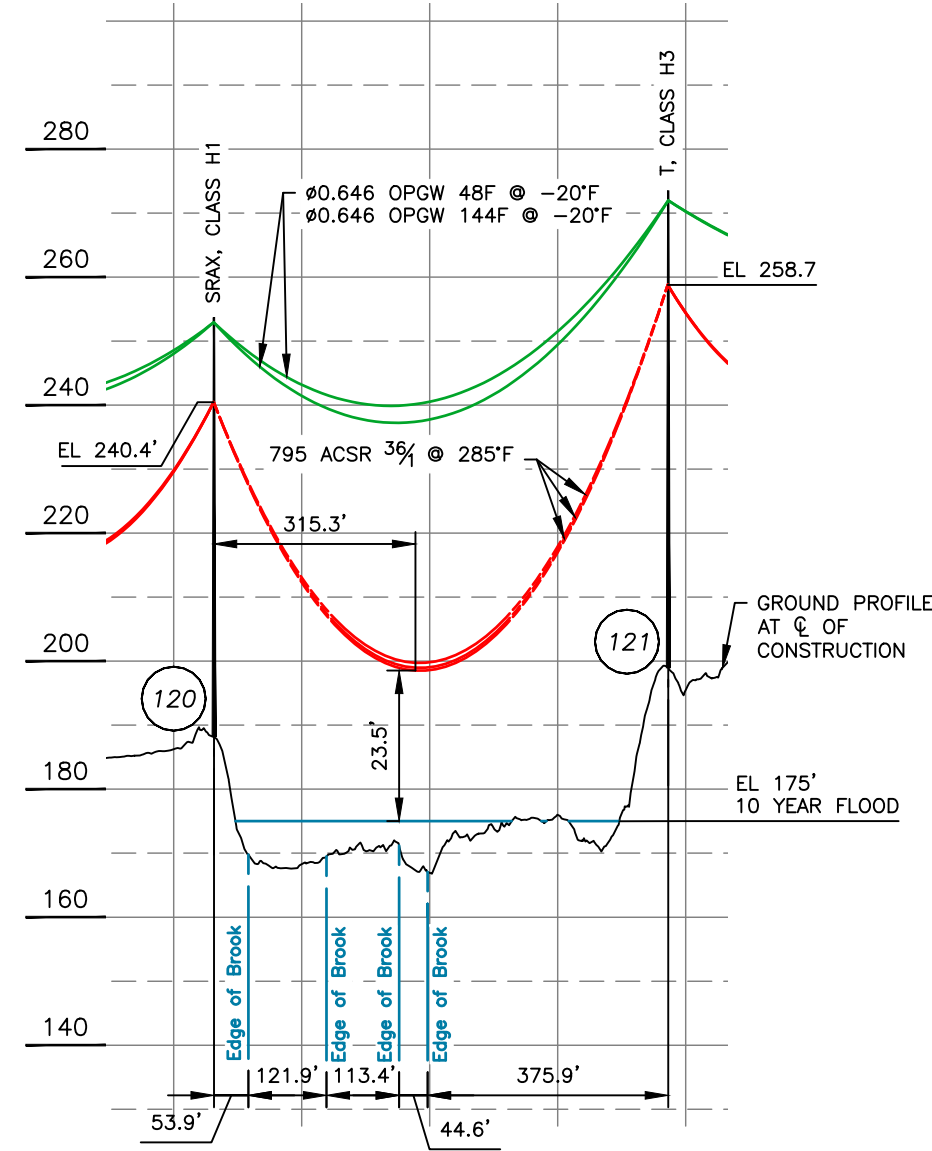
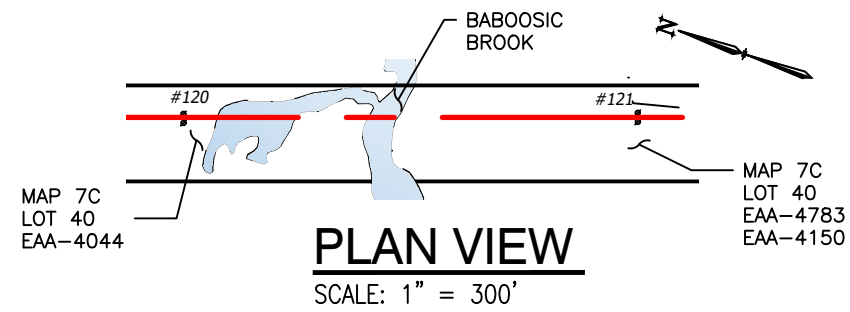
B143 115kV LINE  
PUBLIC WATER CROSSING, LOCATION PLAN  
MERRIMACK, NEW HAMPSHIRE  
EXHIBIT 1

T	1
DRAWN CTS	
ENGINEER CJN	
CHECKED CJT	
APPROVED CJN	
DATE 02/10/2023	

DWG REV	EPN/DESCRIPTION	CONT/PE#	DATE	DRN	CHKD	APPR
1	ISSUED TO DOE		2/10/23	CTS	CJT	CJN

SCALE 1" = 1500'	FILE: 04009-81001.DWG IMAGE:	DRAWING NO. 04009-81001
---------------------	---------------------------------	----------------------------

3/7/2023 9:12 AM - spensct - N:\Adept WORK AREA\NH WORK AREA\SPENSCT\115KV MILESHEET WORK...04009-81001.dwg - EXHIBIT 2 (WATER CROSSING) 2/2016



STR 120: IS AN EVERSOURCE TYPE SRAX, SINGLE CIRCUIT STEEL POLE TANGENT, HORIZONTAL CONFIG.

STR 121: IS AN EVERSOURCE TYPE T, SINGLE CIRCUIT STEEL POLE TANGENT, HORIZONTAL CONFIG.

STRUCTURE DETAILS				
STRUCTURE	TYPE	MATERIAL	A	B
120	SRAX	STEEL	65.5	52.3
121	T	STEEL	74.5	59.8

**STRUCTURE DETAIL**  
SCALE: NTS

CABLE SCHEDULE						
WIRE	QTY OF CABLES	DESCRIPTION	DESIGN CONDITIONS			
			MAX DESIGN TENSION (lb)	TEMP (°F)	ICE (in)	WIND (psf)
CONDUCTOR	3	ACSR, 795 kcmil 36/1, COOT	5000	0	0.5	4
OPGW	1	48F Ø0.646 OPGW	4000	0	0.5	4
OPGW	1	144F Ø0.646 OPGW	4000	0	0.5	4

**LEGEND:**

- #120 STRUCTURE
- PROPERTY BOUNDARY
- B143 LINE 115KV LINE, C OF CONSTRUCTION
- LIMITS OF EVERSOURCE RIGHT OF WAY
- WATERBODY

STRUCTURE LOCATION		
STRUCTURE	LONGITUDE	LATITUDE
120	-71.51034374	42.90160811
121	-71.50945296	42.89977302

NESC VERTICAL CLEARANCE (FT)		FROM
TABLE 232.1, C2-2012		
NATURE OF SURFACE UNDERNEATH WIRES, CONDUCTORS OR CABLES		115KV
WATER AREAS NOT SUITABLE FOR SAIL BOATING OR WHERE SAIL BOATING IS PROHIBITED		18.6

- NOTES:**
- PARCEL INFORMATION PROVIDED BY NH GRANIT.
  - ELEVATIONS REFERENCED TO THE NORTH AMERICAN VERTICAL DATUM OF 1988.
  - 10 YEAR FLOOD ELEVATION FROM THE FEMA FLOOD MAP SERVICE CENTER, NATIONAL FLOOD HAZARD LAYER FIRMETTE, 09/25/2009.

**EVERSOURCE ENERGY**

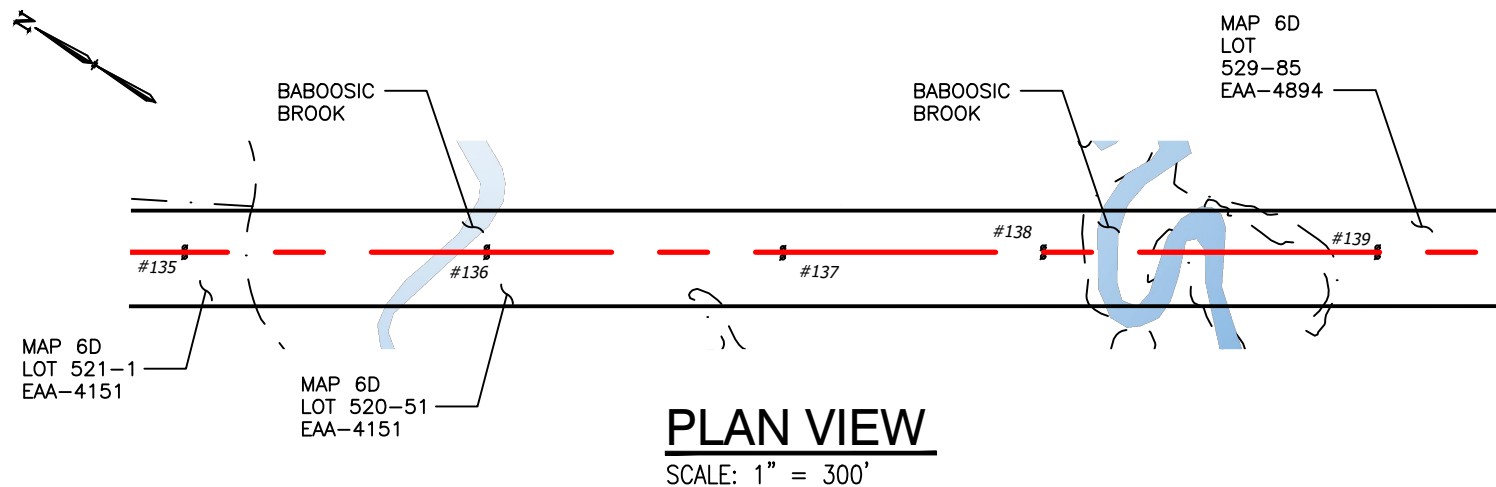
B143, 115kV LINE  
BABOOSIC BROOK WATER CROSSING  
MERRIMACK, NEW HAMPSHIRE  
EXHIBIT 2

T	1
DRAWN	CTS
ENGINEER	CJN
CHECKED	CJT
APPROVED	CJN
DATE	02/10/2023

SCALE AS SHOWN FILE: 04009-81001.DWG DRAWING NO. 04009-81001

DWG REV	ISSUED TO	EPN/DESCRIPTION	CONT/PE#	DATE	DRN	CHKD	APPR
1	DOE			2/10/23	CTS	CJT	CJN

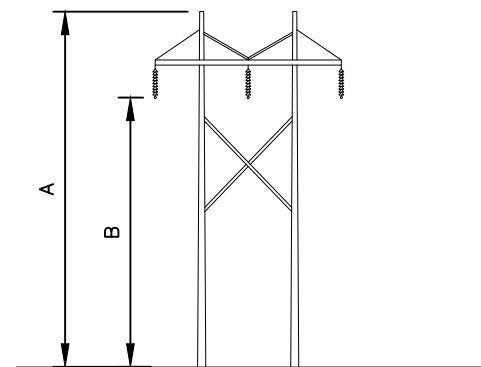
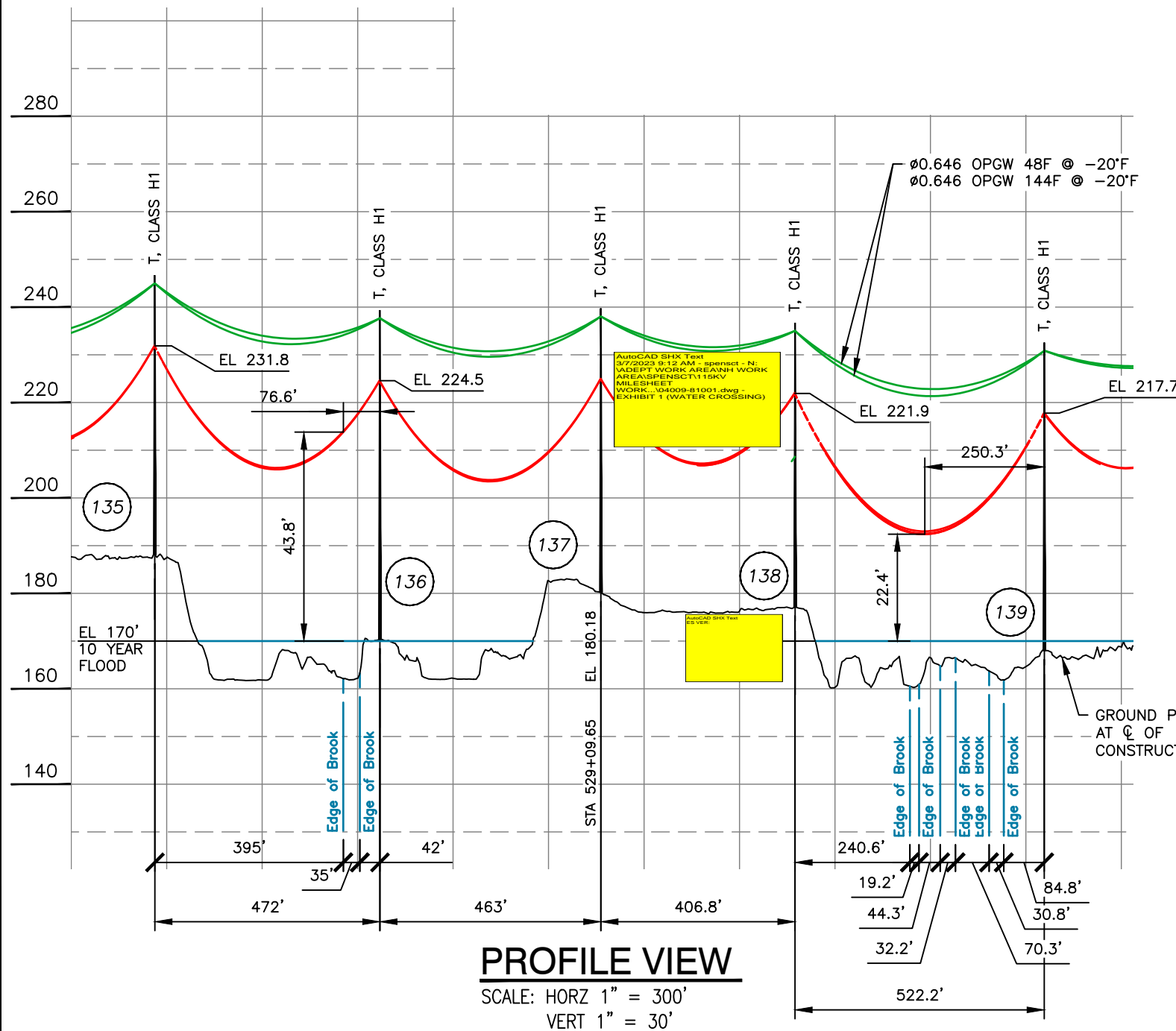
3/7/2023 9:12 AM - spensct - N:\Adept Work Area\NH Work Area\SPENSCT\115KV MILESHEET WORK...04009-81001.dwg - EXHIBIT 3 (WATER CROSSING) 2/2016



**LEGEND:**

- #135 STRUCTURE
- PROPERTY BOUNDARY
- B143 LINE 115KV LINE,  $\phi$  OF CONSTRUCTION
- LIMITS OF EVERSOURCE RIGHT OF WAY
- WATERBODY

CABLE SCHEDULE						
WIRE	QTY OF CABLES	DESCRIPTION	DESIGN CONDITIONS			
			MAX DESIGN TENSION (lb)	TEMP (°F)	ICE (in)	WIND (psf)
CONDUCTOR	3	ACSR, 795 kcmil 36/1, COOT	5000	0	0.5	4
OPGW	1	48F $\phi$ 0.646 OPGW	4000	0	0.5	4
OPGW	1	144F $\phi$ 0.646 OPGW	4000	0	0.5	4



STRUCTURES 135, 136, 138, 139  
TYPE T

STR 121: IS AN EVERSOURCE TYPE T, SINGLE CIRCUIT STEEL POLE TANGENT, HORIZONTAL CONFIG.

STRUCTURE DETAILS				
STRUCTURE	TYPE	MATERIAL	A	B
135	T	STEEL	58.5	43.8
136	T	STEEL	69	54.3
138	T	STEEL	59.5	44.8
139	T	STEEL	64.5	49.8

STRUCTURE LOCATION		
STRUCTURE	LONGITUDE	LATITUDE
135	-71.49930355	42.88698051
136	-71.49840247	42.88586934
138	-71.49673755	42.88382149
139	-71.49573835	42.88258918

NEVC VERTICAL CLEARANCE (FT)		FROM
TABLE 232.1, C2-2012		
NATURE OF SURFACE UNDERNEATH WIRES, CONDUCTORS OR CABLES		115kV
WATER AREAS NOT SUITABLE FOR SAIL BOATING OR WHERE SAIL BOATING IS PROHIBITED		18.6

**NOTES:**

- PARCEL INFORMATION PROVIDED BY NH GRANIT.
- ELEVATIONS REFERENCED TO THE NORTH AMERICAN VERTICAL DATUM OF 1988.
- 10 YEAR FLOOD ELEVATION FROM THE FEMA FLOOD MAP SERVICE CENTER, NATIONAL FLOOD HAZARD LAYER FIRMETTE, 09/25/2009.

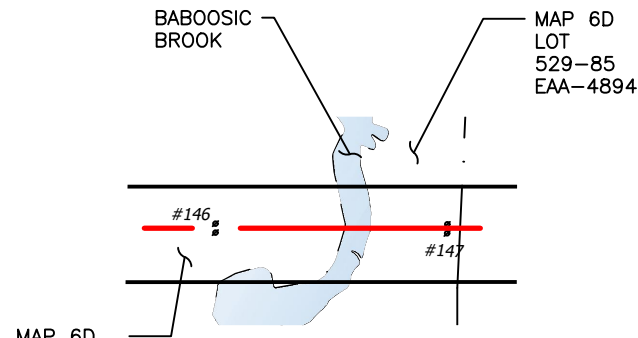
**STRUCTURE DETAIL**  
SCALE: NTS

DWG REV	ISSUED TO DOE	FILE: 04009-81001.DWG	2/10/23	CTS	CJT	CJN

<b>EVERSOURCE ENERGY</b>	T   1
	DRAWN CTS
B143, 115kV LINE BABOOSIC BROOK WATER CROSSING MERRIMACK, NEW HAMPSHIRE EXHIBIT 3	ENGINEER CJN
	CHECKED CJT
SCALE AS SHOWN	APPROVED CJN
	DATE 02/10/2023
DRAWING NO. 04009-81001	



3/7/2023 9:12 AM - spensct - N:\Adept WORK AREA\NH WORK AREA\SPENSCT\115KV MILESHEET WORK...04009-81001.dwg - EXHIBIT 4 (WATER CROSSING) 2/2016



MAP 6D  
LOT  
529-85  
EAA-4894

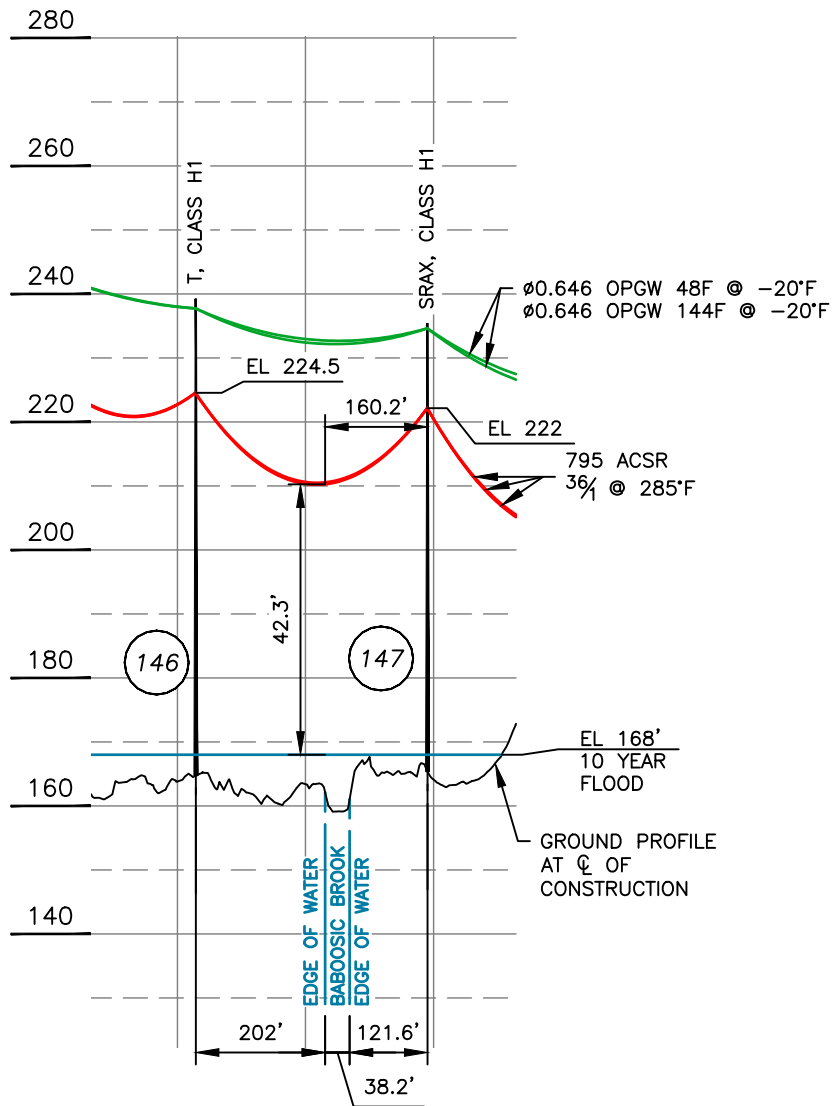
**PLAN VIEW**

SCALE: 1" = 300'

**LEGEND:**

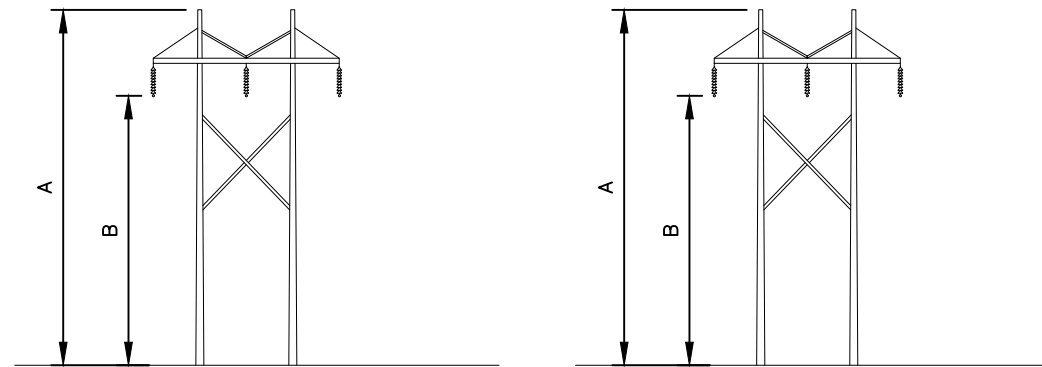
- #146 STRUCTURE
- PROPERTY BOUNDARY
- B143 LINE 115KV LINE, C<sub>E</sub> OF CONSTRUCTION
- LIMITS OF EVERSOURCE RIGHT OF WAY
- WATERBODY

CABLE SCHEDULE						
WIRE	QTY OF CABLES	DESCRIPTION	DESIGN CONDITIONS			
			MAX DESIGN TENSION (lb)	TEMP (°F)	ICE (in)	WIND (psf)
CONDUCTOR	3	ACSR, 795 kcmil 36/1, COOT	5000	0	0.5	4
OPGW	1	48F Ø0.646 OPGW	4000	0	0.5	4
OPGW	1	144F Ø0.646 OPGW	4000	0	0.5	4



**PROFILE VIEW**

SCALE: HORZ 1" = 300'  
VERT 1" = 30'



STRUCTURE 147  
TYPE SRAX

STR 147: IS AN EVERSOURCE TYPE SRAX, SINGLE CIRCUIT STEEL POLE TANGENT, HORIZONTAL CONFIG.

STRUCTURE 146  
TYPE T

STR 146: IS AN EVERSOURCE TYPE T, SINGLE CIRCUIT STEEL POLE TANGENT, HORIZONTAL CONFIG.

STRUCTURE DETAILS				
STRUCTURE	TYPE	MATERIAL	A	B
147	SRAX	STEEL	70.1	56.9
146	T	STEEL	74.5	49.5

**STRUCTURE DETAIL**

SCALE: NTS

STRUCTURE LOCATION		
STRUCTURE	LONGITUDE	LATITUDE
146	-71.49193685	42.87790027
147	-71.49124951	42.87704686

NESC VERTICAL CLEARANCE (FT)		FROM
TABLE 232.1, C2-2012		
NATURE OF SURFACE UNDERNEATH WIRES, CONDUCTORS OR CABLES		115kV
WATER AREAS NOT SUITABLE FOR SAIL BOATING OR WHERE SAIL BOATING IS PROHIBITED		18.6

**NOTES:**

1. PARCEL INFORMATION PROVIDED BY NH GRANIT.
2. ELEVATIONS REFERENCED TO THE NORTH AMERICAN VERTICAL DATUM OF 1988.
3. 10 YEAR FLOOD ELEVATION FROM THE FEMA FLOOD MAP SERVICE CENTER, NATIONAL FLOOD HAZARD LAYER FIRMETTE, 09/25/2009.

DWG REV	EPN/DESCRIPTION	CONT/PE#	DATE	DRN	CHKD	APPR
1	ISSUED TO DOE		2/10/23	CTS	CJT	CJN

EVERSOURCE ENERGY

B143, 115kV LINE  
BABOOSIC BROOK WATER CROSSING  
MERRIMACK, NEW HAMPSHIRE  
EXHIBIT 4

SCALE AS SHOWN	FILE: 04009-81001.DWG IMAGE:	DRAWING NO. 04009-81001
-------------------	---------------------------------	----------------------------