

LEGEND:

- F139 LINE: - - -
- F139 STR: 84

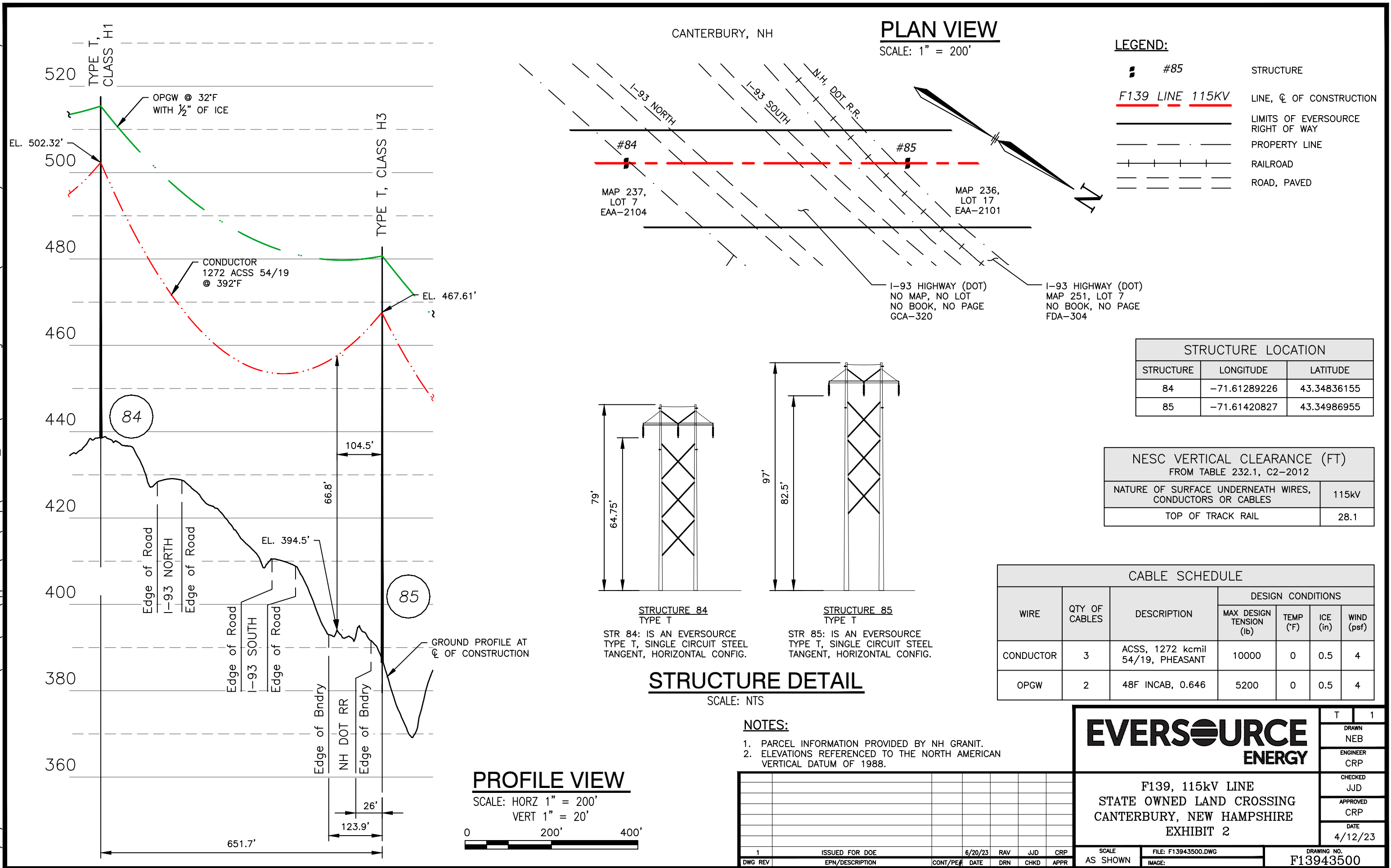


**F139, 115kV LINE
STATE OWNED LAND & PUBLIC WATER CROSSING
CANTERBURY, NORTHFIELD, FRANKLIN, NEW HAMPSHIRE
EXHIBIT 1**

T	1
DRAWN NEB	
ENGINEER CRP	
CHECKED JJD	
APPROVED CRP	
DATE 4/12/23	

1	ISSUED FOR DOE	6/20/23	RAV	JJD	CRP
DWG REV	EPN/DESCRIPTION	CONT/PE#	DATE	DRN	CHKD

SCALE 1" = 5500'	FILE: F13943500.DWG IMAGE:	DRAWING NO. F13943500
---------------------	-------------------------------	---------------------------------



PLAN VIEW

SCALE: 1" = 200'

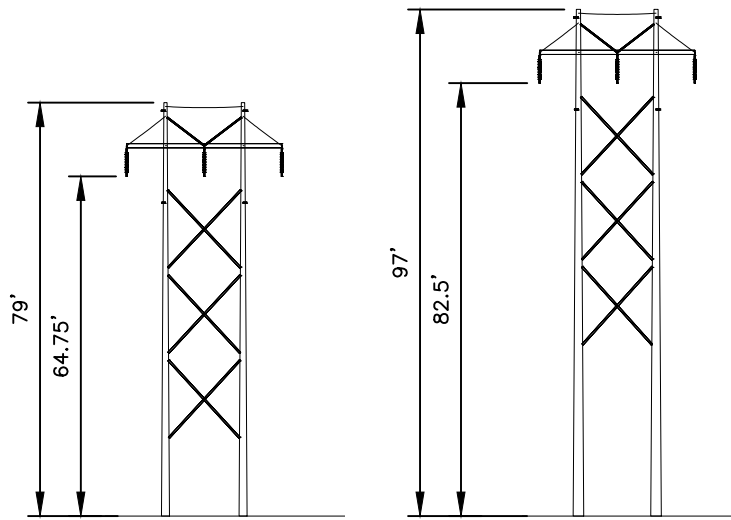
LEGEND:

- #85 STRUCTURE
- F139 LINE 115KV LINE, ϕ OF CONSTRUCTION
- LIMITS OF EVERSOURCE RIGHT OF WAY
- PROPERTY LINE
- RAILROAD
- ROAD, PAVED

STRUCTURE LOCATION		
STRUCTURE	LONGITUDE	LATITUDE
84	-71.61289226	43.34836155
85	-71.61420827	43.34986955

NESC VERTICAL CLEARANCE (FT) FROM TABLE 232.1, C2-2012	
NATURE OF SURFACE UNDERNEATH WIRES, CONDUCTORS OR CABLES	115kV
TOP OF TRACK RAIL	28.1

CABLE SCHEDULE						
WIRE	QTY OF CABLES	DESCRIPTION	DESIGN CONDITIONS			
			MAX DESIGN TENSION (lb)	TEMP (°F)	ICE (in)	WIND (psf)
CONDUCTOR	3	ACSS, 1272 kcmil 54/19, PHEASANT	10000	0	0.5	4
OPGW	2	48F INCAB, 0.646	5200	0	0.5	4



STRUCTURE 84
TYPE T
STR 84: IS AN EVERSOURCE TYPE T, SINGLE CIRCUIT STEEL TANGENT, HORIZONTAL CONFIG.

STRUCTURE 85
TYPE T
STR 85: IS AN EVERSOURCE TYPE T, SINGLE CIRCUIT STEEL TANGENT, HORIZONTAL CONFIG.

STRUCTURE DETAIL

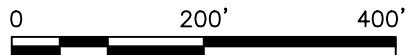
SCALE: NTS

NOTES:

1. PARCEL INFORMATION PROVIDED BY NH GRANIT.
2. ELEVATIONS REFERENCED TO THE NORTH AMERICAN VERTICAL DATUM OF 1988.

PROFILE VIEW

SCALE: HORZ 1" = 200'
VERT 1" = 20'



EVERSOURCE ENERGY

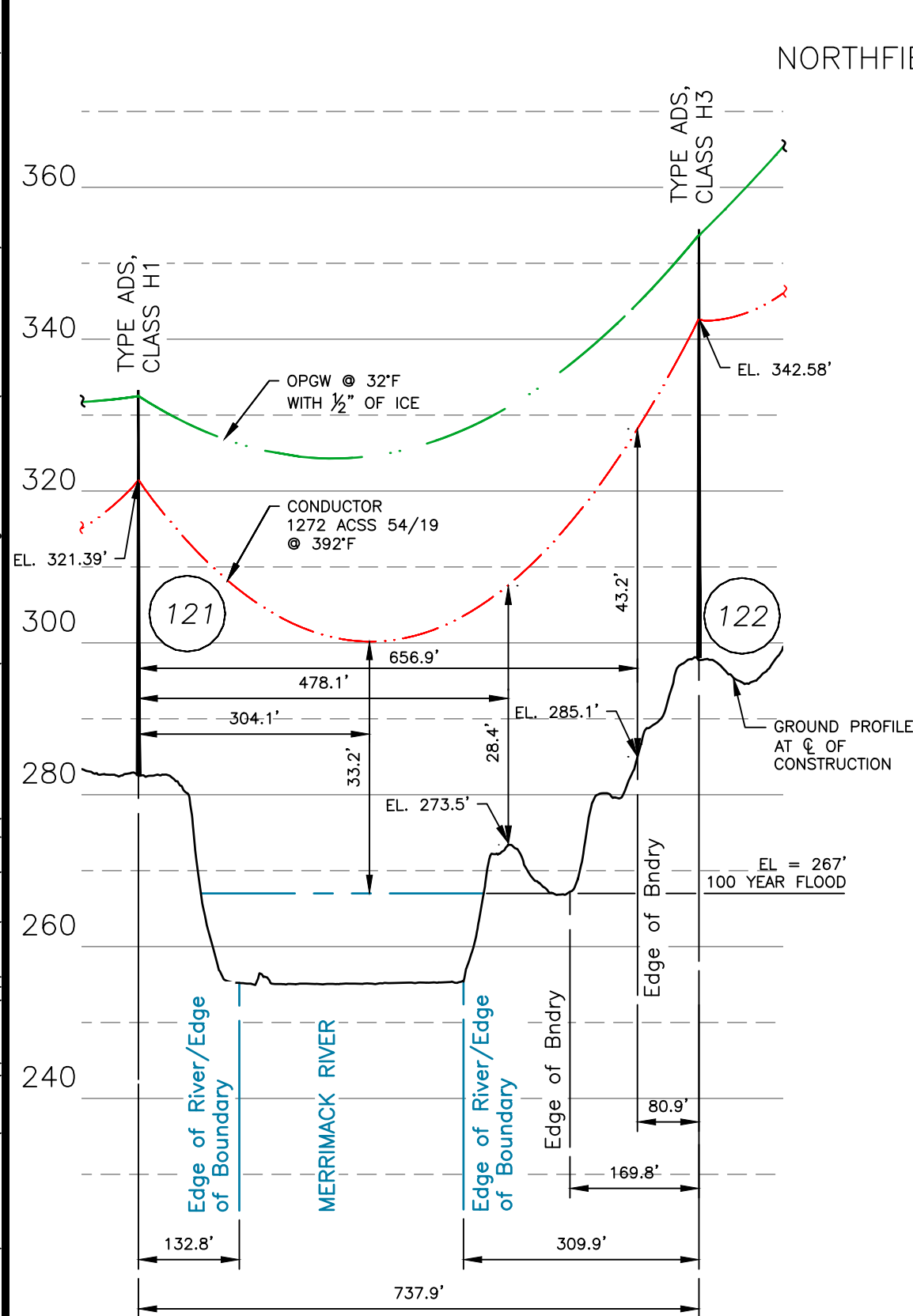
F139, 115kV LINE
STATE OWNED LAND CROSSING
CANTERBURY, NEW HAMPSHIRE
EXHIBIT 2

T	1
DRAWN	NEB
ENGINEER	CRP
CHECKED	JJD
APPROVED	CRP
DATE	4/12/23

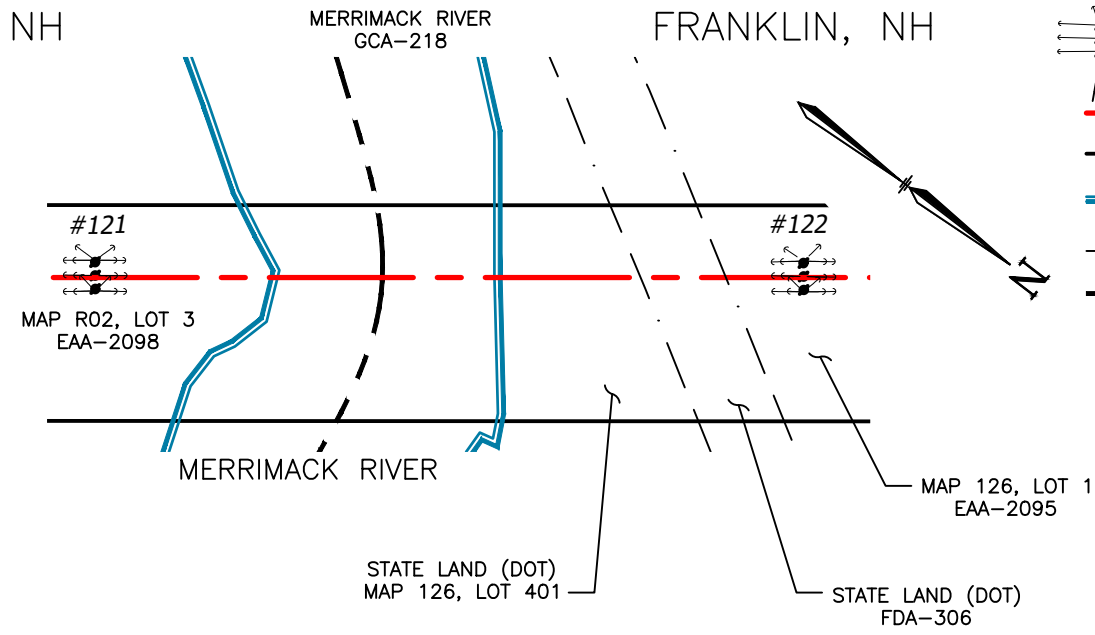
SCALE	AS SHOWN	FILE: F13943500.DWG	DRAWING NO.	F13943500
IMAGE:				

1	ISSUED FOR DOE	6/20/23	RAV	JJD	CRP
DWG REV	EPN/DESCRIPTION	CONT/PE#	DATE	DRN	CHKD

7/12/2023 7:51 AM - spensct - C:\Users\spensct\appdata\local\temp\AcPublish_12284\F13943903.dwg - EXHIBIT 3 (WATER CROSSING) ES VER: 12/2016



NORTHFIELD, NH

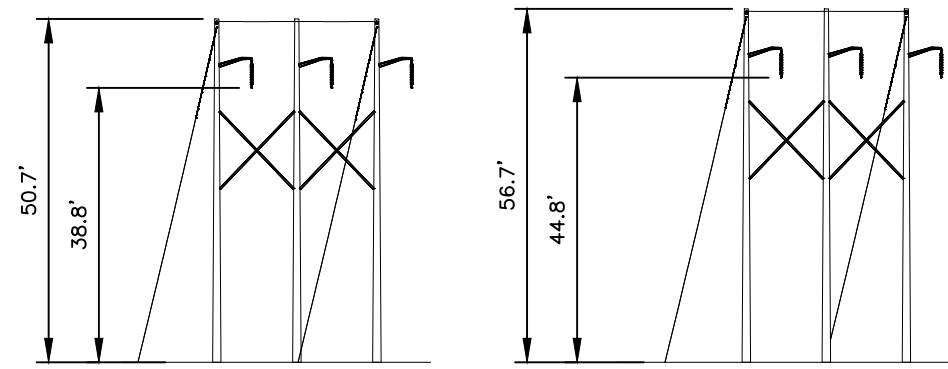


LEGEND:

- #122 STRUCTURE
- F139 LINE 115KV LINE, C OF CONSTRUCTION
- LIMITS OF EVERSOURCE RIGHT OF WAY
- WATERBODY
- PROPERTY BOUNDARY
- TOWN BOUNDARY

STRUCTURE LOCATION		
STRUCTURE	LONGITUDE	LATITUDE
121	-71.64663944	43.38579741
122	-71.64832562	43.38740548

NESC VERTICAL CLEARANCE (FT) FROM TABLE 232.1, C2-2012	
NATURE OF SURFACE UNDERNEATH WIRES, CONDUCTORS OR CABLES	115kV
WATER AREAS SUITABLE FOR SAIL BOATING INCLUDING LAKES, PONDS, RESERVOIRS, TIDAL WATERS, RIVERS, STREAMS, AND CANALS WITH AN UNUPSTRUCTED SURFACE AREA OF: OVER 20 TO 200 ACRES	30.1
TOP OF TRACK RAIL	28.1
OTHER AREAS TRAVERSED BY VEHICLES SUCH AS CULTIVATED, GRAZING, FOREST AND ORCHARD LANDS, INDUSTRIAL SITES, COMMERCIAL SITES, ETC.:	20.1



CABLE SCHEDULE						
WIRE	QTY OF CABLES	DESCRIPTION	DESIGN CONDITIONS			
			MAX DESIGN TENSION (lb)	TEMP (°F)	ICE (in)	WIND (psf)
CONDUCTOR	3	ACSS, 1272 kcmil 54/19, PHEASANT	10000	0	0.5	4
OPGW	2	48F INCAB, 0.646	5200	0	0.5	4

- NOTES:**
- PARCEL INFORMATION PROVIDED BY NH GRANIT.
 - ELEVATIONS REFERENCED TO THE NORTH AMERICAN VERTICAL DATUM OF 1988.
 - 100 YEAR FLOOD ELEVATION FROM THE FEMA FLOOD MAP SERVICE CENTER, NATIONAL FLOOD HAZARD LAYER FIRMETTE, 04/19/2010.

EVERSOURCE ENERGY

F139, 115kV LINE
MERRIMACK RIVER & STATE LAND CROSSING
NORTHFIELD & FRANKLIN NEW HAMPSHIRE
EXHIBIT 3

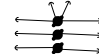



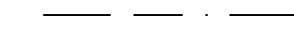
T	1
DRAWN	NEB
ENGINEER	CRP
CHECKED	JJD
APPROVED	CRP
DATE	4/13/23

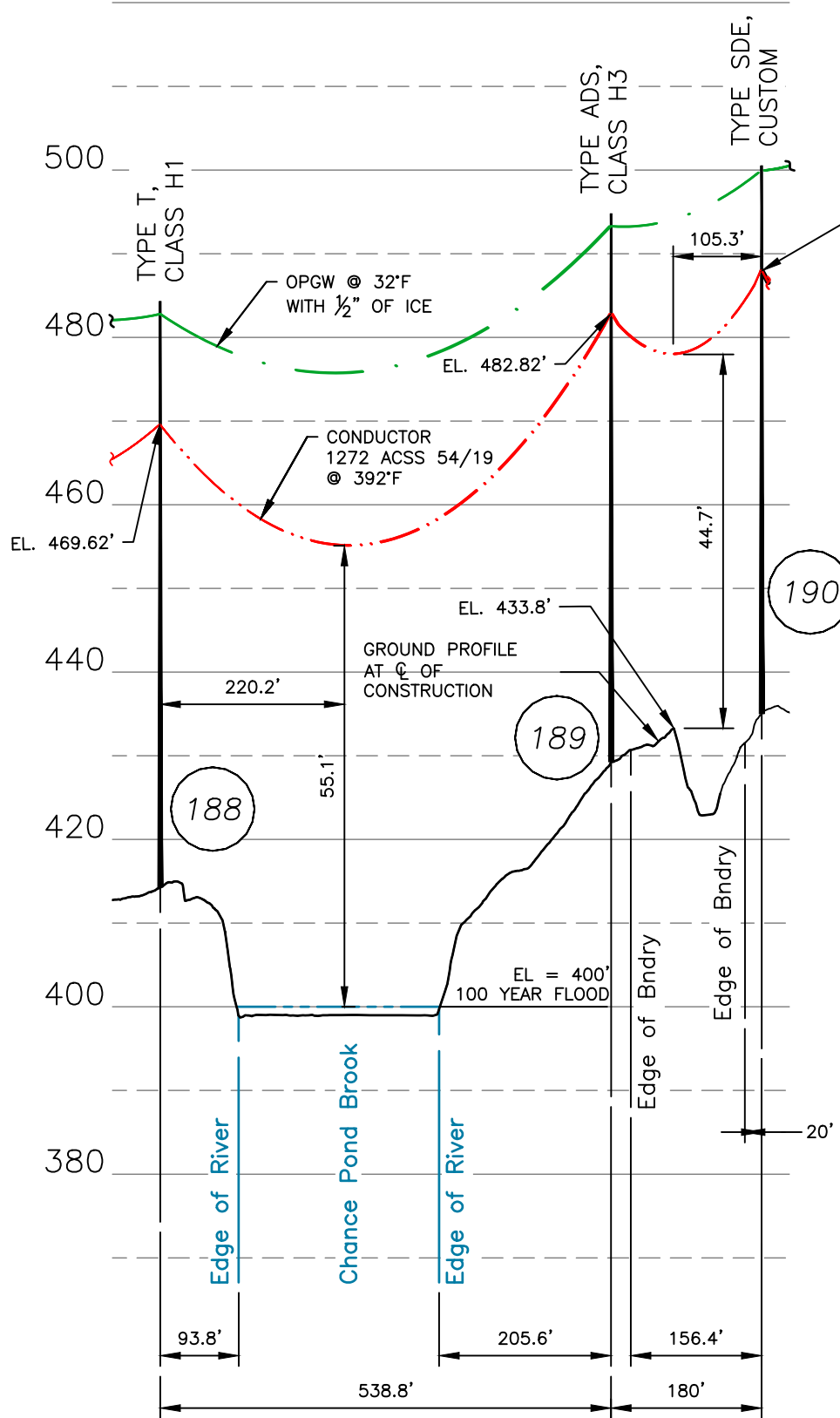
SCALE: AS SHOWN
FILE: F13943903.DWG
DRAWING NO.: F13943903

DWG REV	ISSUED FOR	DATE	DRN	CHKD	APPR
1	ISSUED FOR DOE	6/20/23	RAV	JJD	CRP

FRANKLIN, NH

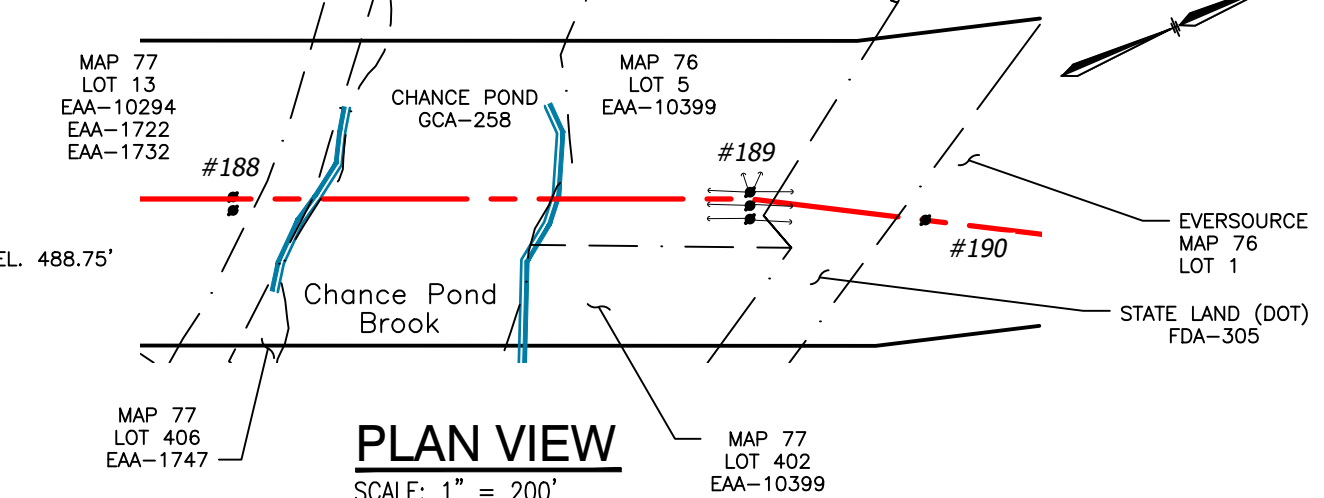
LEGEND:

-  #188 STRUCTURE
-  F139 LINE 115KV
-  LIMITS OF EVERSOURCE RIGHT OF WAY
-  WATERBODY
-  PROPERTY BOUNDARY



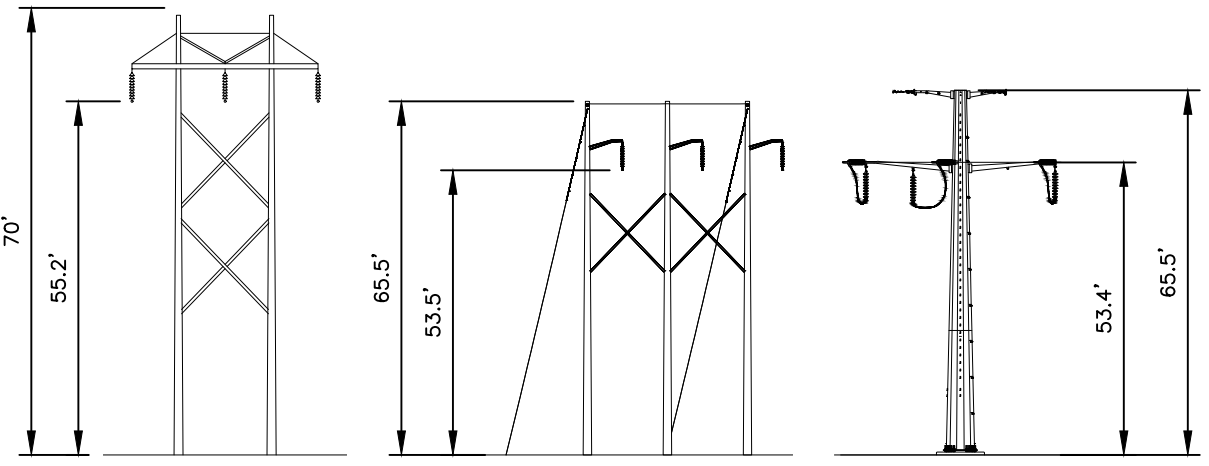
PROFILE VIEW

SCALE: HORZ 1" = 200'
 VERT 1" = 20'



PLAN VIEW

SCALE: 1" = 200'



STRUCTURE DETAIL

SCALE: NTS

STRUCTURE LOCATION		
STRUCTURE	LONGITUDE	LATITUDE
188	-71.67498406	43.45352638
189	-71.67439327	43.45493945
190	-71.67413681	43.45539372

NESC VERTICAL CLEARANCE (FT)		FROM
TABLE 232.1, C2-2012		
NATURE OF SURFACE UNDERNEATH WIRES, CONDUCTORS OR CABLES		115KV
WATER AREAS NOT SUITABLE FOR SAIL BOATING INCLUDING LAKES, PONDS, RESERVOIRS, TIDAL WATERS, RIVERS, STREAMS, AND CANALS WITH AN UNUPSTRUCTED SURFACE AREA OF: LESS THAN 20 ACRES		22.1
TOP OF TRACK RAIL		28.1

CABLE SCHEDULE						
WIRE	QTY OF CABLES	DESCRIPTION	DESIGN CONDITIONS			
			MAX DESIGN TENSION (lb)	TEMP (°F)	ICE (in)	WIND (psf)
CONDUCTOR	3	ACSS, 1272 kcmil 54/19, PHEASANT	10000	0	0.5	4
OPGW	2	48F INCAB, 0.646	5200	0	0.5	4

NOTES:

1. PARCEL INFORMATION PROVIDED BY NH GRANIT.
2. ELEVATIONS REFERENCED TO THE NORTH AMERICAN VERTICAL DATUM OF 1988.
3. 100 YEAR FLOOD ELEVATION FROM THE FEMA FLOOD MAP SERVICE CENTER, NATIONAL FLOOD HAZARD LAYER FIRMETTE, 04/19/2010.

EVERSOURCE ENERGY

F139, 115kV LINE
 CHANCE POND CROSSING
 FRANKLIN, NEW HAMPSHIRE
 EXHIBIT 4

DRAWN NEB	T 1
ENGINEER CRP	
CHECKED JJD	
APPROVED CRP	
DATE 4/13/23	

DWG REV	ISSUED FOR	EPN/DESCRIPTION	CONT/PE#	DATE	DRN	CHKD	SAC	APPR
1	ISSUED FOR DOE			6/28/23	CTS	SAC	SAC	