

LEGEND:

W157 LINE: - - -

1	SUBMITTED TO STATE OF NH DOE	05/23	GBS	CJN			
DWG REV	EPN/DESCRIPTION	CONT/PE#	DATE	DRN	CHKD	APPR	

EVERSOURCE ENERGY

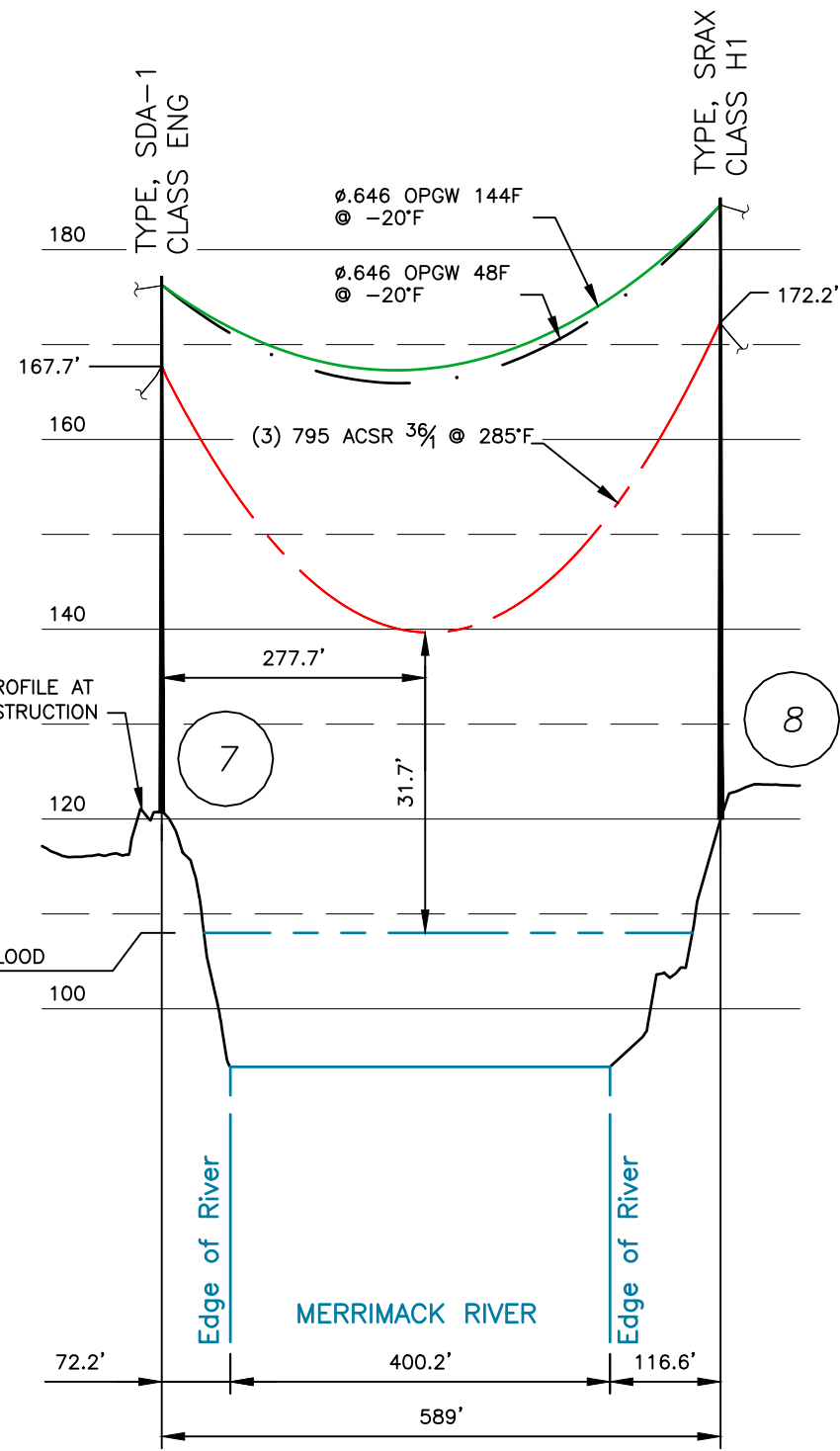
**W157 115kV LINE
WATER AND STATE LAND CROSSING, LOCATION PLAN
LITCHFIELD, MERRIMACK, AMHERST, MILFORD, NH
EXHIBIT 1**

T	1
DRAWN	GBS
ENGINEER	CJN
CHECKED	CJN
APPROVED	CJN
DATE	04/10/23

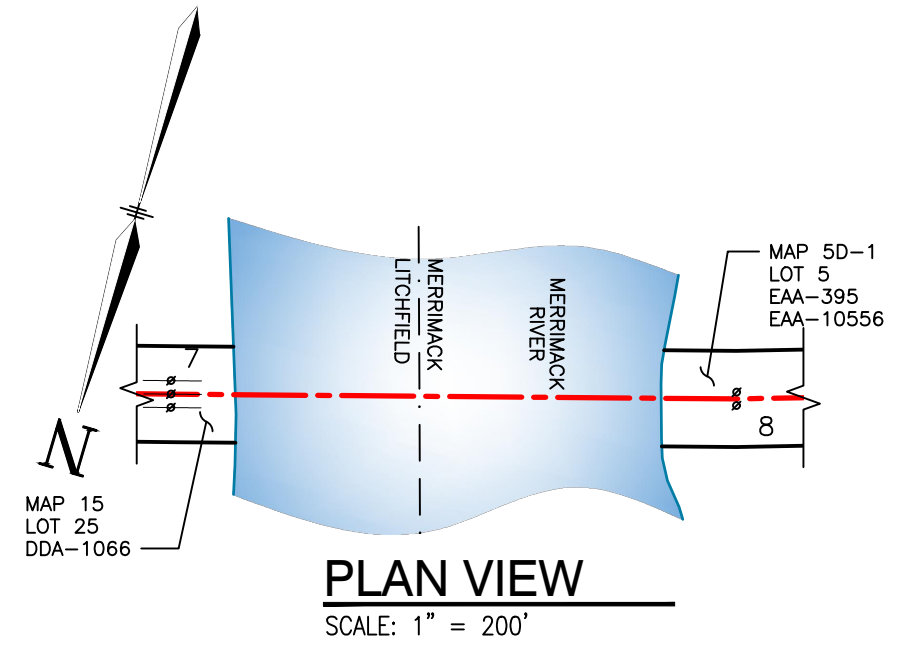
SCALE
1" = 1 MI

FILE: 04096-81001.DWG
IMAGE:

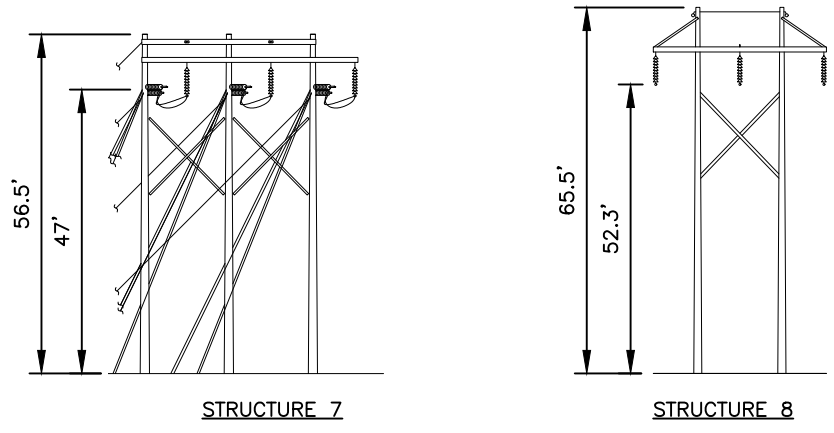
DRAWING NO.
04096-81001



PROFILE VIEW
SCALE: HORZ 1" = 200'
VERT 1" = 20'



PLAN VIEW
SCALE: 1" = 200'



STR 7: IS AN EVERSOURCE TYPE SDA, SINGLE CIRCUIT STEEL POLE DEAD END ANGLE, HORIZONTAL CONFIG., GUYED.
STR 115: IS AN EVERSOURCE TYPE SRAX, SINGLE CIRCUIT STEEL POLE TANGENT, HORIZONTAL CONFIG.

STRUCTURE DETAIL
SCALE: NTS

LEGEND:

- STRUCTURE (WITH GUYS)
- PROPERTY BOUNDARY
- W157 LINE 115KV LINE, C OF CONSTRUCTION
- LIMITS OF EVERSOURCE RIGHT OF WAY
- WATERBODY

STRUCTURE LOCATION		
STRUCTURE	LONGITUDE	LATITUDE
7	-71.48433908	42.85876706
8	-71.48645304	42.85832776

NESC VERTICAL CLEARANCE (FT) FROM TABLE 232.1, C2-2012	
NATURE OF SURFACE UNDERNEATH WIRES, CONDUCTORS OR CABLES	115kV
WATER AREAS SUITABLE FOR SAIL BOATING INCLUDING LAKES, PONDS, RESERVOIRS, TIDAL WATERS, RIVERS, STREAMS, AND CANALS WITH AN UNUPSTRUCTED SURFACE AREA OF OVER 20 TO 200 ACRES	30.1

CABLE SCHEDULE						
WIRE	QTY OF CABLES	DESCRIPTION	DESIGN CONDITIONS			
			MAX DESIGN TENSION (lb)	TEMP (°F)	ICE (in)	WIND (psf)
CONDUCTOR	3	ACSR, 795 kcmil 36/1, COOT	5500	0	0.5	4
OPGW	1	0.646", 144F AFL DNO-11854	4200	0	0.5	4
OPGW	1	0.646", 48F AFL DNO-11852	4200	0	0.5	4

NOTES:

- PARCEL INFORMATION PROVIDED BY NH GRANIT.
- ELEVATIONS REFERENCED TO THE NORTH AMERICAN VERTICAL DATUM OF 1988.
- 100 YEAR FLOOD ELEVATION FROM THE FEMA FLOOD MAP SERVICE CENTER, NATIONAL FLOOD HAZARD LAYER FIRMETTE, 09/25/2009.

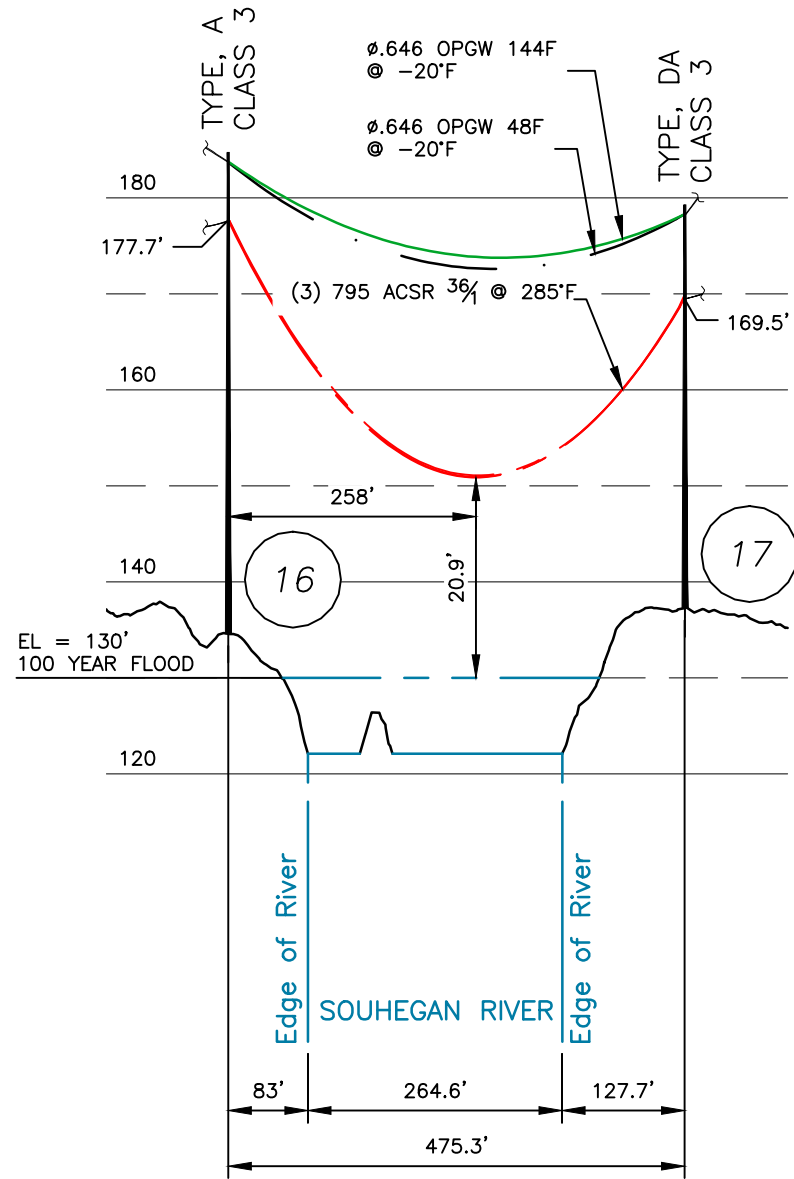
EVERSOURCE ENERGY

T	1
DRAWN	GBS
ENGINEER	CJN
CHECKED	CJN
APPROVED	CJN
DATE	04/10/2023

W157, 115kV LINE
MERRIMACK RIVER, PUBLIC WATER CROSSING
LITCHFIELD, MERRIMACK, NEW HAMPSHIRE
EXHIBIT 2

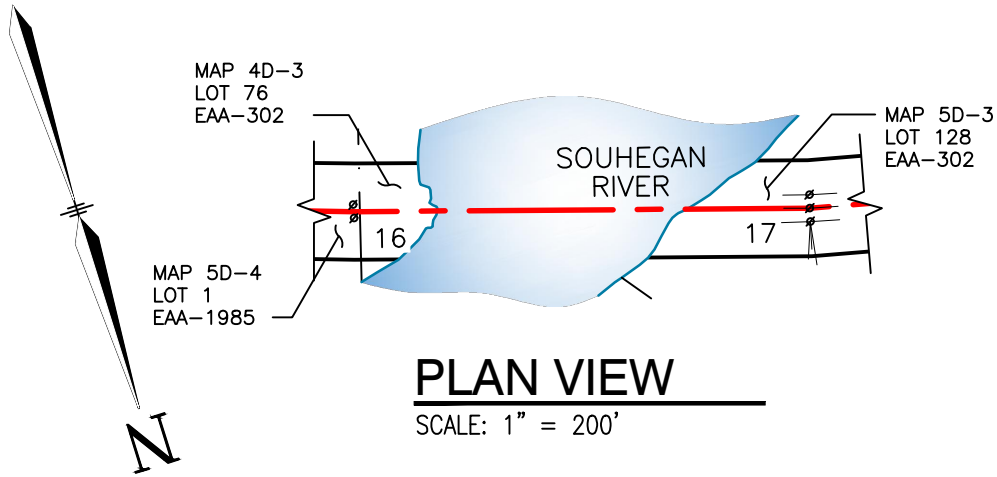


DWG REV	EPN/DESCRIPTION	CONT/PE#	DATE	DRN	CHKD	APPR
1	SUBMITTED TO STATE OF NH DOE		05/23	GBS	CJN	CJN



PROFILE VIEW

SCALE: HORZ 1" = 200'
VERT 1" = 20'



PLAN VIEW

SCALE: 1" = 200'

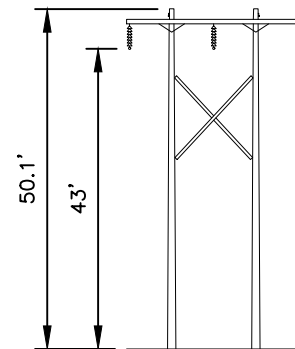
LEGEND:

- STRUCTURE (WITH GUYS)
- PROPERTY BOUNDARY
- W157 LINE 115KV LINE, C OF CONSTRUCTION
- LIMITS OF EVERSOURCE RIGHT OF WAY
- WATERBODY

STRUCTURE LOCATION		
STRUCTURE	LONGITUDE	LATITUDE
16	-71.49559776	43.98548037
17	-71.49729219	42.85783886

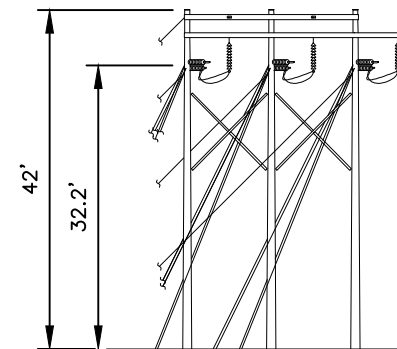
NEC VERTICAL CLEARANCE (FT) FROM TABLE 232.1, C2-2012	
NATURE OF SURFACE UNDERNEATH WIRES, CONDUCTORS OR CABLES	115kV
WATER AREAS NOT SUITABLE FOR SAIL BOATING OR WHERE SAIL BOATING IS PROHIBITED	18.6

CABLE SCHEDULE						
WIRE	QTY OF CABLES	DESCRIPTION	DESIGN CONDITIONS			
			MAX DESIGN TENSION (lb)	TEMP (°F)	ICE (in)	WIND (psf)
CONDUCTOR	3	ACSR, 795 kcmil 36/1, COOT	5500	0	0.5	4
OPGW	1	Ø0.646", 144F AFL DNO-11854	4200	0	0.5	4
OPGW	1	Ø0.646", 48F AFL DNO-11852	4200	0	0.5	4



STRUCTURE 16

STR 16: IS AN EVERSOURCE TYPE A, SINGLE CIRCUIT WOOD POLE TANGENT, HORIZONTAL CONFIG.



STRUCTURE 17

STR 17: IS DA EVERSOURCE TYPE DA, SINGLE CIRCUIT STEEL POLE DEAD END ANGLE, VERTICAL CONFIG., GUYED.

STRUCTURE DETAIL

SCALE: NTS

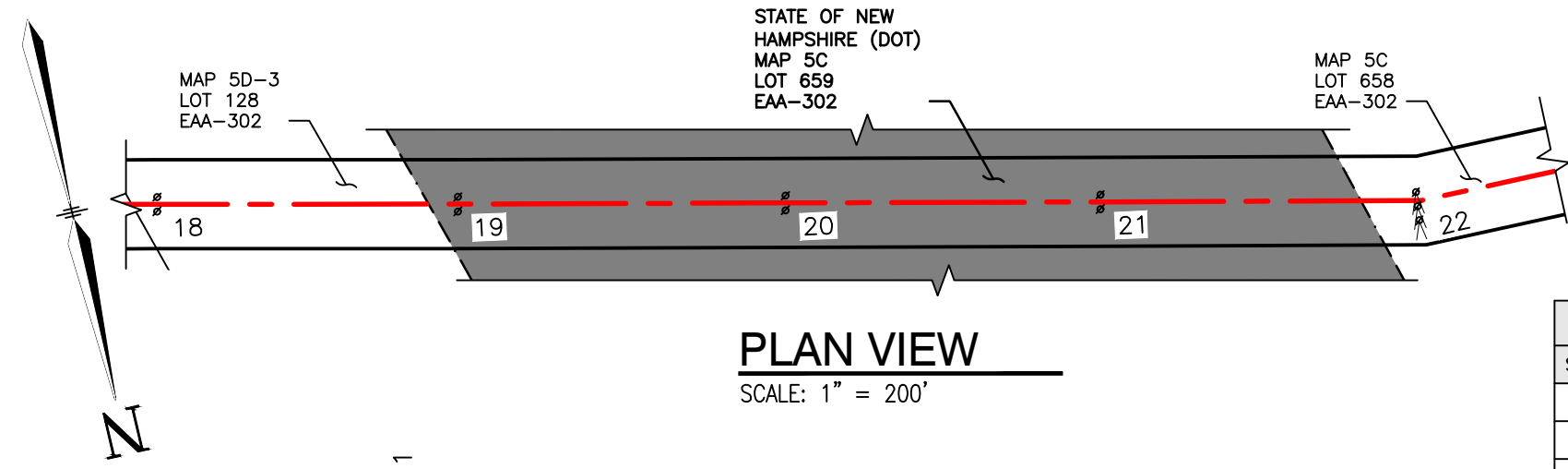
NOTES:

- PARCEL INFORMATION PROVIDED BY NH GRANIT.
- ELEVATIONS REFERENCED TO THE NORTH AMERICAN VERTICAL DATUM OF 1988.
- 100 YEAR FLOOD ELEVATION FROM THE FEMA FLOOD MAP SERVICE CENTER, NATIONAL FLOOD HAZARD LAYER FIRMETTE, 09/25/2009.



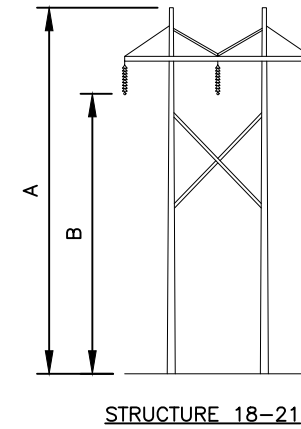
<p>W157, 115kV LINE SOUHEGAN RIVER, PUBLIC WATER CROSSING MERRIMACK, NEW HAMPSHIRE EXHIBIT 3</p>	T 1
	DRAWN GBS
	ENGINEER CJN
	CHECKED CJN
	APPROVED CJN
DATE 04/10/2023	DRAWING NO. 04096-81002

DWG REV	EPN/DESCRIPTION	CONT/PE#	DATE	DRN	GBS	CJN	CJN
1	SUBMITTED TO STATE OF NH DOE		05/23	GBS	CJN	CJN	



DIMENSION CHART

STRUCTURE	A	B
18	61	46.3
19	74.5	59.8
20	56.5	41.8
21	56.5	41.8



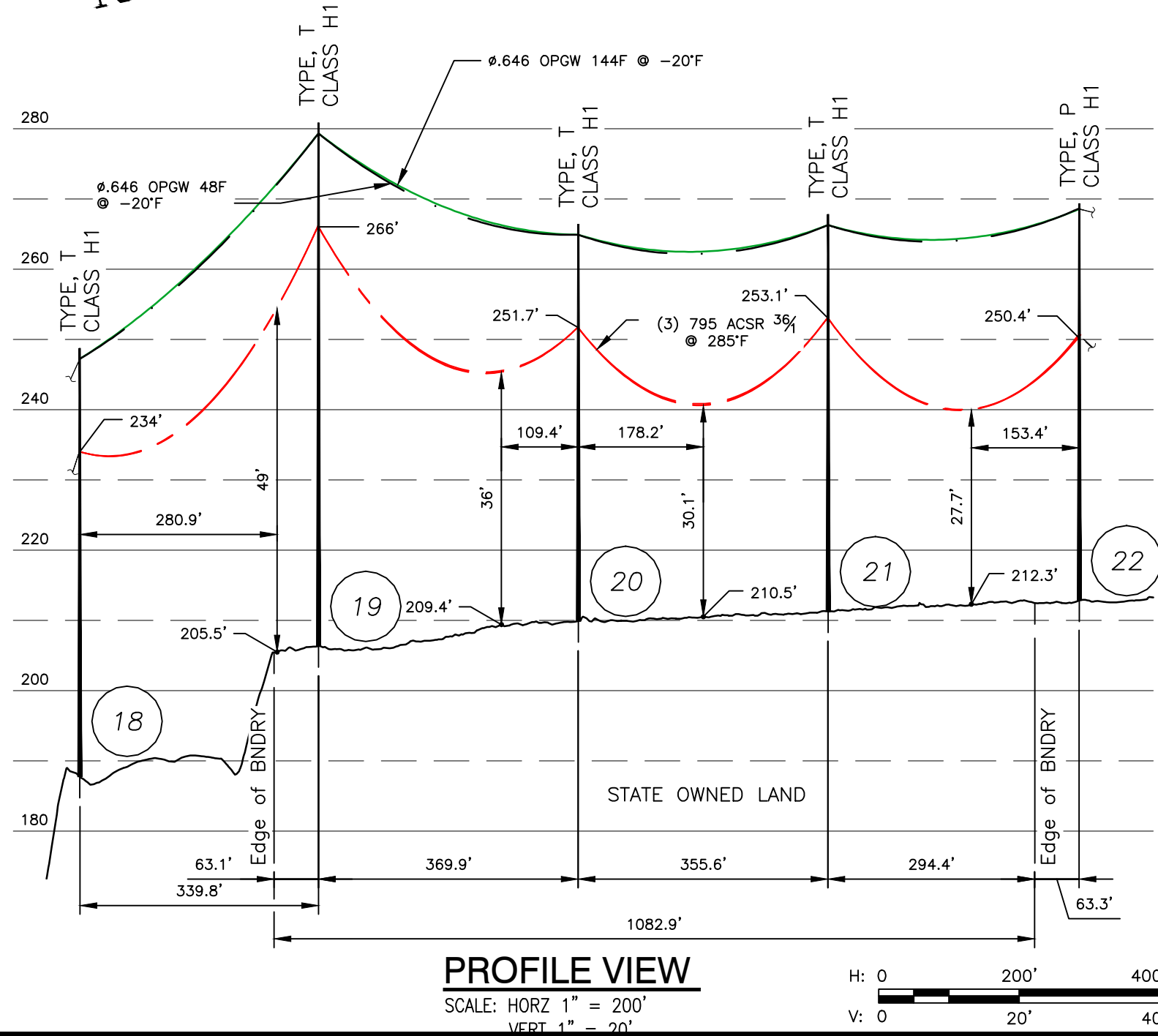
- LEGEND:**
- 22 STRUCTURE (WITH GUYS)
 - PROPERTY BOUNDARY
 - W157 LINE 115KV LINE, C of CONSTRUCTION
 - LIMITS OF EVERSOURCE RIGHT OF WAY

STRUCTURE LOCATION

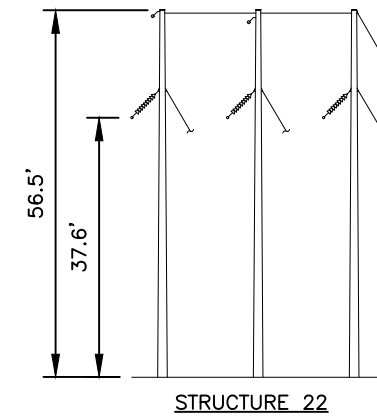
STRUCTURE	LONGITUDE	LATITUDE
18	-71.49871286	42.85807753
19	-71.49994673	42.85828973
20	-71.50129087	42.85851771
21	-71.50258315	42.85873696
22	-71.50388237	42.85895939

NESC VERTICAL CLEARANCE (FT)
FROM TABLE 232.1, C2-2012

NATURE OF SURFACE UNDERNEATH WIRES, CONDUCTORS OR CABLES	115kV
OTHER AREAS TRAVERSED BY VEHICLES, SUCH AS CULTIVATED, GRAZING, FOREST, AND ORCHARD LANDS, INDUSTRIAL SITES, COMMERCIAL SITES, ETC	20.1



STR 18-21: IS AN EVERSOURCE TYPE T, SINGLE CIRCUIT STEEL POLE TANGENT, HORIZONTAL CONFIG.



STR 22: IS AN EVERSOURCE TYPE P, SINGLE CIRCUIT STEEL POLE RUNNING ANGLE, HORIZONTAL CONFIG., GUYED.

STRUCTURE DETAILS
SCALE: NTS

CABLE SCHEDULE

WIRE	QTY OF CABLES	DESCRIPTION	DESIGN CONDITIONS			
			MAX DESIGN TENSION (lb)	TEMP (°F)	ICE (in)	WIND (psf)
CONDUCTOR	3	ACSR, 795 kcmil 36/1, COOT	5500	0	0.5	4
OPGW	1	0.646", 144F AFL DNO-11854	4200	0	0.5	4
OPGW	1	0.646", 48F AFL DNO-11852	4200	0	0.5	4

- NOTES:**
- PARCEL INFORMATION PROVIDED BY NH GRANIT.
 - ELEVATIONS REFERENCED TO THE NORTH AMERICAN VERTICAL DATUM OF 1988.

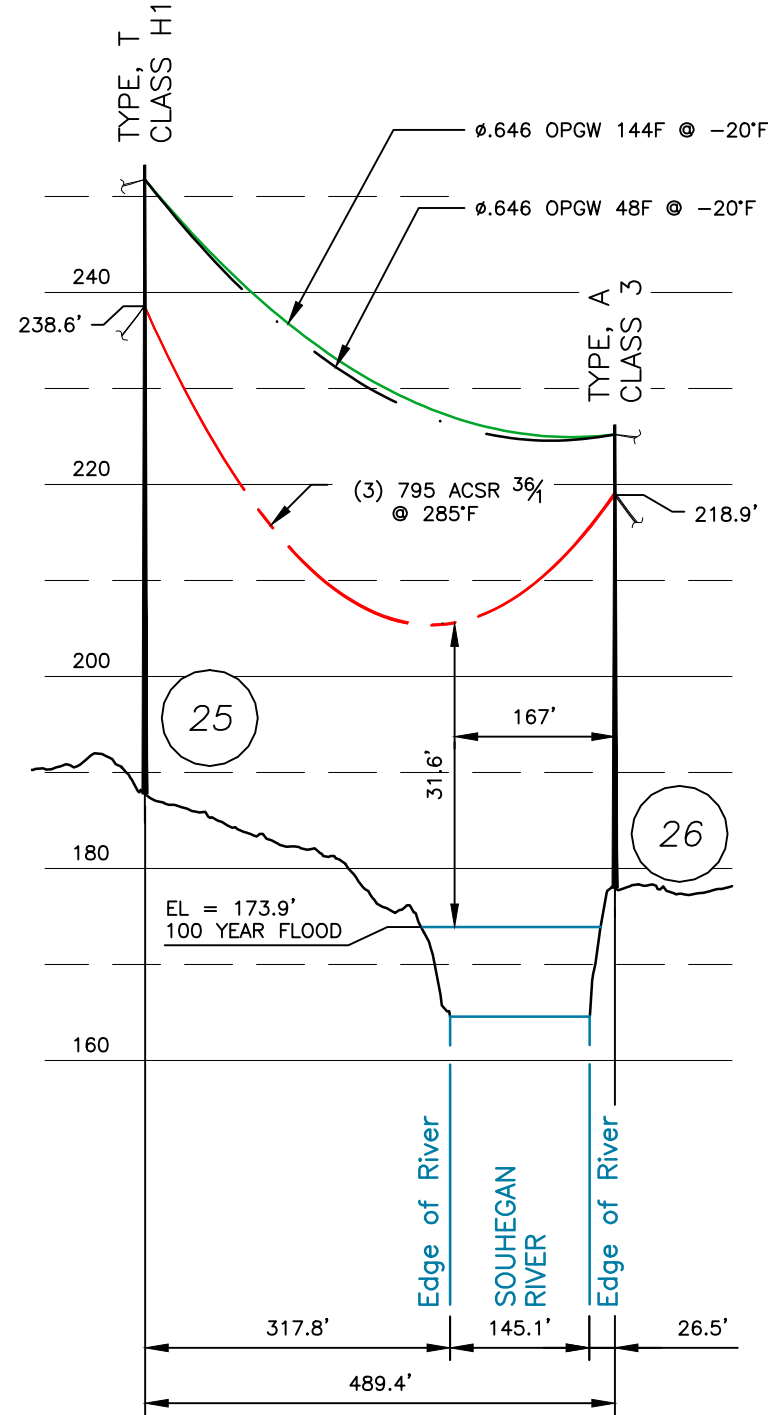
DWG REV	EPN/DESCRIPTION	CONT/PE#	DATE	DRN	CHKD	APPR
1	SUBMITTED TO STATE OF NH DOE		05/23	GBS	CJN	CJN

EVERSOURCE ENERGY

W157, 115kV LINE
PUBLIC LAND, CROSSING
MERRIMACK, NEW HAMPSHIRE
EXHIBIT 4

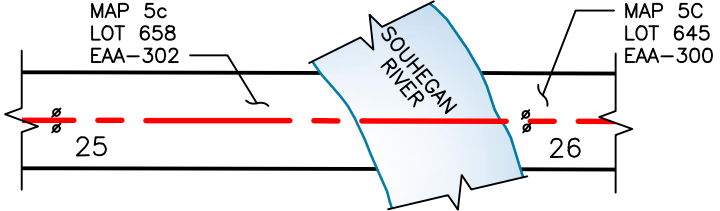
T	1
DRAWN	GBS
ENGINEER	CJN
CHECKED	CJN
APPROVED	CJN
DATE	04/10/2023

SCALE: AS SHOWN
FILE: 04096-81003.DWG
DRAWING NO.: 04096-81003



PROFILE VIEW

SCALE: HORZ 1" = 200'
VERT 1" = 20'



PLAN VIEW

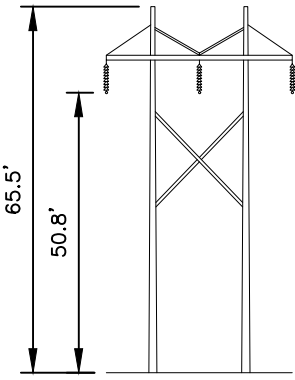
SCALE: 1" = 200'

LEGEND:

- STRUCTURE
- PROPERTY BOUNDARY
- LINE, ϕ OF CONSTRUCTION
- LIMITS OF EVERSOURCE RIGHT OF WAY
- WATERBODY

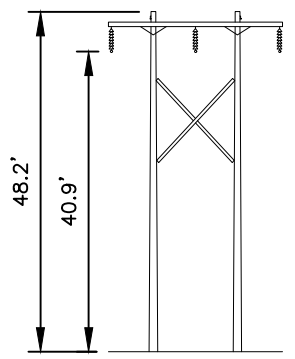
STRUCTURE LOCATION		
STRUCTURE	LONGITUDE	LATITUDE
25	-71.50803469	42.85899901
26	-71.50986003	42.85901357

NESC VERTICAL CLEARANCE (FT) FROM TABLE 232.1, C2-2012	
NATURE OF SURFACE UNDERNEATH WIRES, CONDUCTORS OR CABLES	115kV
WATER AREAS NOT SUITABLE FOR SAIL BOATING OR WHERE SAIL BOATING IS PROHIBITED	18.6



STRUCTURE 25

STR 25: IS AN EVERSOURCE TYPE T, SINGLE CIRCUIT STEEL POLE TANGENT, HORIZONTAL CONFIG.



STRUCTURE 26

STR 26: IS AN EVERSOURCE TYPE A, SINGLE CIRCUIT WOOD POLE TANGENT, HORIZONTAL CONFIG.

STRUCTURE DETAIL

SCALE: NTS

CABLE SCHEDULE						
WIRE	QTY OF CABLES	DESCRIPTION	DESIGN CONDITIONS			
			MAX DESIGN TENSION (lb)	TEMP (°F)	ICE (in)	WIND (psf)
CONDUCTOR	3	ACSR, 795 kcmil 36/1, COOT	5500	0	0.5	4
OPGW	1	0.646", 144F AFL DNO-11854	4200	0	0.5	4
OPGW	1	0.646", 48F AFL DNO-11852	4200	0	0.5	4

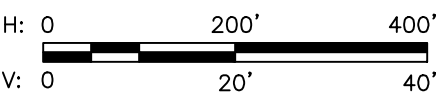
NOTES:

- PARCEL INFORMATION PROVIDED BY NH GRANIT.
- ELEVATIONS REFERENCED TO THE NORTH AMERICAN VERTICAL DATUM OF 1988.
- 100 YEAR FLOOD ELEVATION FROM THE FEMA FLOOD MAP SERVICE CENTER, NATIONAL FLOOD HAZARD LAYER FIRMETTE, 09/25/2009.



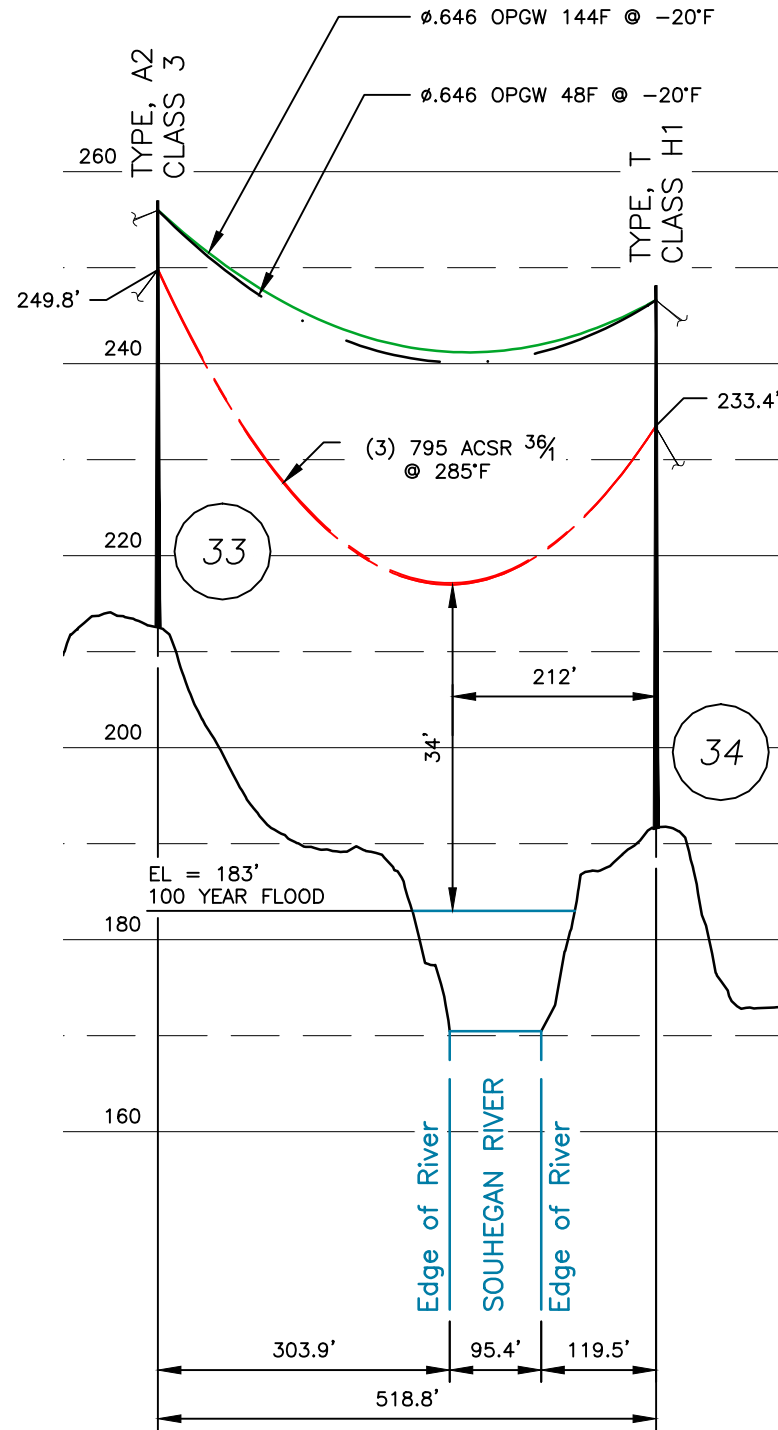
W157, 115kV LINE
SOUHEGAN RIVER, PUBLIC WATER CROSSING
MERRIMACK, NEW HAMPSHIRE
EXHIBIT 5

T	1
DRAWN	GBS
ENGINEER	CJN
CHECKED	CJN
APPROVED	CJN
DATE	04/10/2023



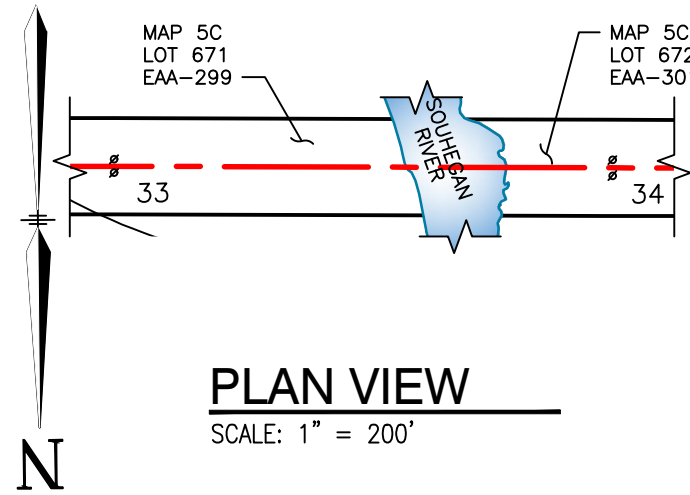
DWG REV	EPN/DESCRIPTION	CONT/PE#	DATE	DRN	CHKD	APPR
1	SUBMITTED TO STATE OF NH DOE		05/23	GBS	CJN	CJN

SCALE	AS SHOWN	FILE: 04096-81004.DWG	DRAWING NO.	04096-81004
-------	----------	-----------------------	-------------	-------------



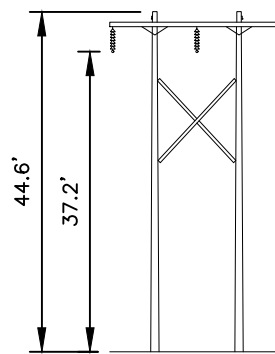
PROFILE VIEW

SCALE: HORZ 1" = 200'
VERT 1" = 20'



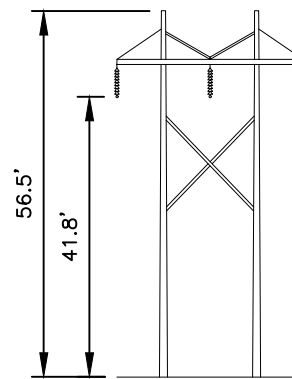
PLAN VIEW

SCALE: 1" = 200'



STRUCTURE 33

STR 33: IS AN EVERSOURCE TYPE A2, SINGLE CIRCUIT WOOD POLE TANGENT, HORIZONTAL CONFIG.

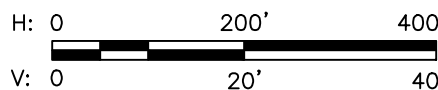


STRUCTURE 34

STR 34: IS AN EVERSOURCE TYPE T, SINGLE CIRCUIT STEEL POLE TANGENT, HORIZONTAL CONFIG.

STRUCTURE DETAIL

SCALE: NTS



LEGEND:

- STRUCTURE
- PROPERTY BOUNDARY
- W157 LINE 115KV
- LIMITS OF EVERSOURCE RIGHT OF WAY
- WATERBODY

STRUCTURE LOCATION		
STRUCTURE	LONGITUDE	LATITUDE
33	-71.52138062	42.85910723
34	-71.52331539	42.85912653

NESC VERTICAL CLEARANCE (FT) FROM TABLE 232.1, C2-2012	
NATURE OF SURFACE UNDERNEATH WIRES, CONDUCTORS OR CABLES	115kV
WATER AREAS NOT SUITABLE FOR SAIL BOATING OR WHERE SAIL BOATING IS PROHIBITED	18.6

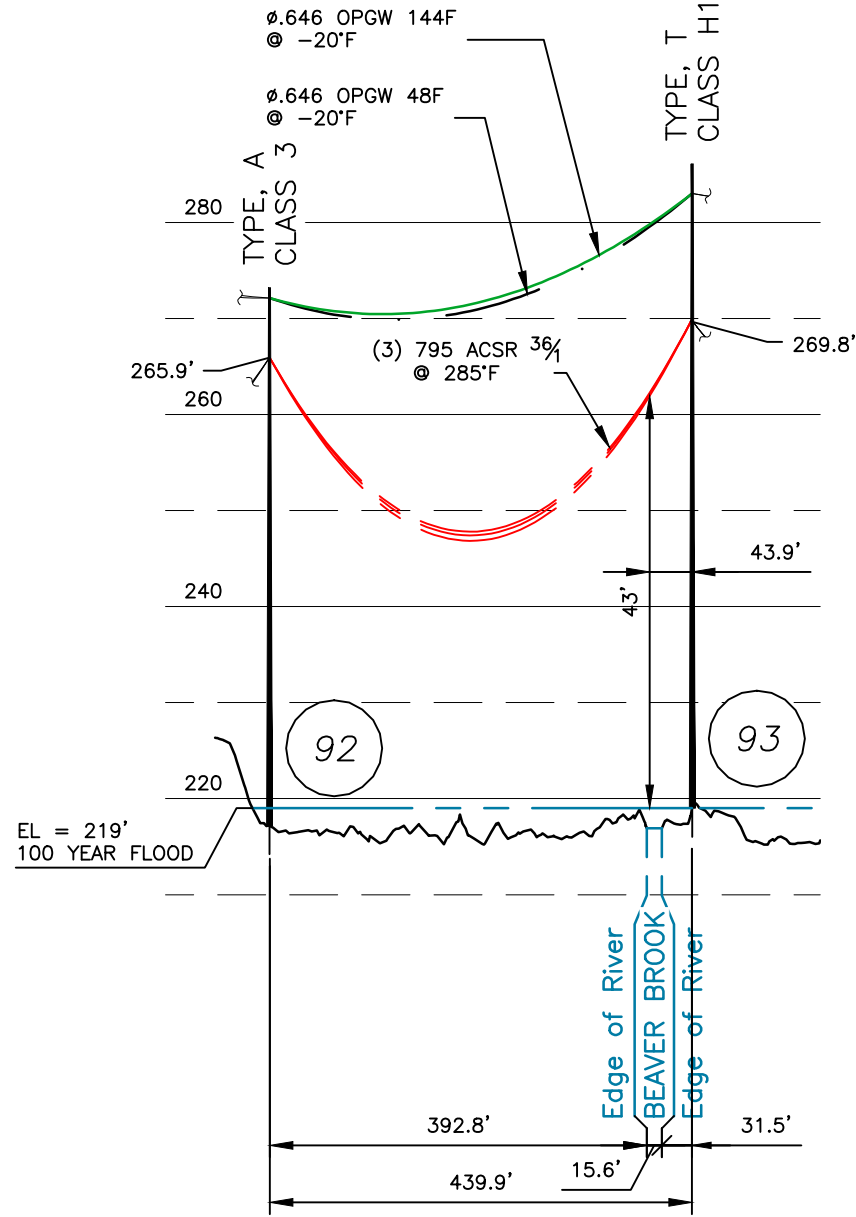
CABLE SCHEDULE						
WIRE	QTY OF CABLES	DESCRIPTION	DESIGN CONDITIONS			
			MAX DESIGN TENSION (lb)	TEMP (°F)	ICE (in)	WIND (psf)
CONDUCTOR	3	ACSR, 795 kcmil 36/1, COOT	5500	0	0.5	4
OPGW	1	Ø0.646", 144F AFL DNO-11854	4200	0	0.5	4
OPGW	1	Ø0.646", 48F AFL DNO-11852	4200	0	0.5	4

NOTES:

- PARCEL INFORMATION PROVIDED BY NH GRANIT.
- ELEVATIONS REFERENCED TO THE NORTH AMERICAN VERTICAL DATUM OF 1988.
- 100 YEAR FLOOD ELEVATION FROM THE FEMA FLOOD MAP SERVICE CENTER, NATIONAL FLOOD HAZARD LAYER FIRMETTE, 09/25/2009.

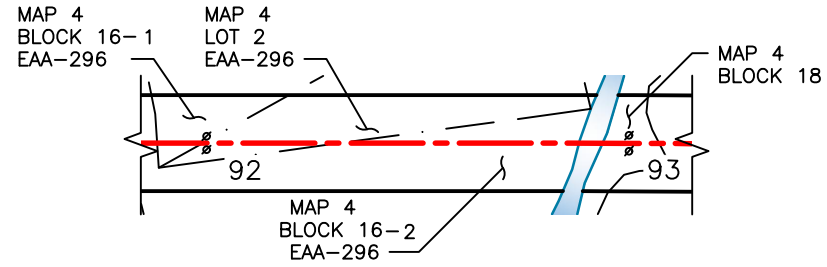
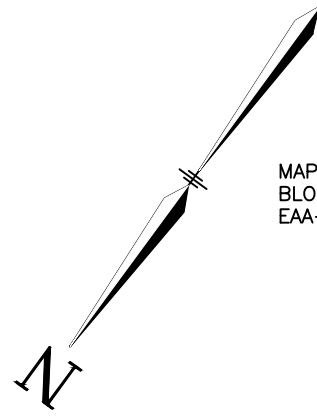
<p>W157, 115kV LINE SOUHEGAN RIVER, PUBLIC WATER CROSSING MERRIMACK, NEW HAMPSHIRE EXHIBIT 6</p>	T 1
	DRAWN GBS
	ENGINEER CJN
	CHECKED CJN
	APPROVED CJN
DATE 04/10/2023	DRAWING NO. 04096-81005

DWG REV	EPN/DESCRIPTION	CONT/PE#	DATE	DRN	CHKD	APPR
1	SUBMITTED TO STATE OF NH DOE		05/23	GBS	CJN	CJN



PROFILE VIEW

SCALE: HORZ 1" = 200'
VERT 1" = 20'



PLAN VIEW

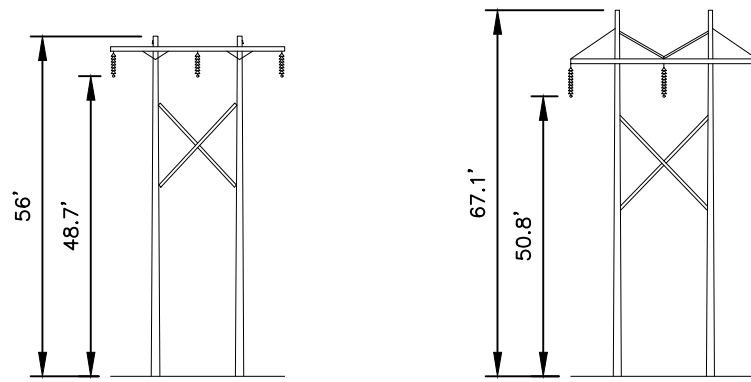
SCALE: 1" = 200'

LEGEND:

- 93 STRUCTURE
- PROPERTY BOUNDARY
- W157 LINE 115KV LINE, C OF CONSTRUCTION
- LIMITS OF EVERSOURCE RIGHT OF WAY
- WATERBODY

STRUCTURE LOCATION		
STRUCTURE	LONGITUDE	LATITUDE
92	-71.61213836	42.84664248
93	-71.61346147	42.84592924

NESC VERTICAL CLEARANCE (FT) FROM TABLE 232.1, C2-2012	
NATURE OF SURFACE UNDERNEATH WIRES, CONDUCTORS OR CABLES	115kV
WATER AREAS NOT SUITABLE FOR SAIL BOATING OR WHERE SAIL BOATING IS PROHIBITED	18.6



STRUCTURE 92

STR 92: IS AN EVERSOURCE TYPE A, SINGLE CIRCUIT WOOD POLE TANGENT, HORIZONTAL CONFIG.

STRUCTURE 93

STR 93: IS AN EVERSOURCE TYPE T, SINGLE CIRCUIT STEEL POLE TANGENT, HORIZONTAL CONFIG.

STRUCTURE DETAIL

SCALE: NTS

CABLE SCHEDULE						
WIRE	QTY OF CABLES	DESCRIPTION	DESIGN CONDITIONS			
			MAX DESIGN TENSION (lb)	TEMP (°F)	ICE (in)	WIND (psf)
CONDUCTOR	3	ACSR, 795 kcmil 36/1, COOT	5500	0	0.5	4
OPGW	1	0.646", 144F AFL DNO-11854	4200	0	0.5	4
OPGW	1	0.646", 48F AFL DNO-11852	4200	0	0.5	4

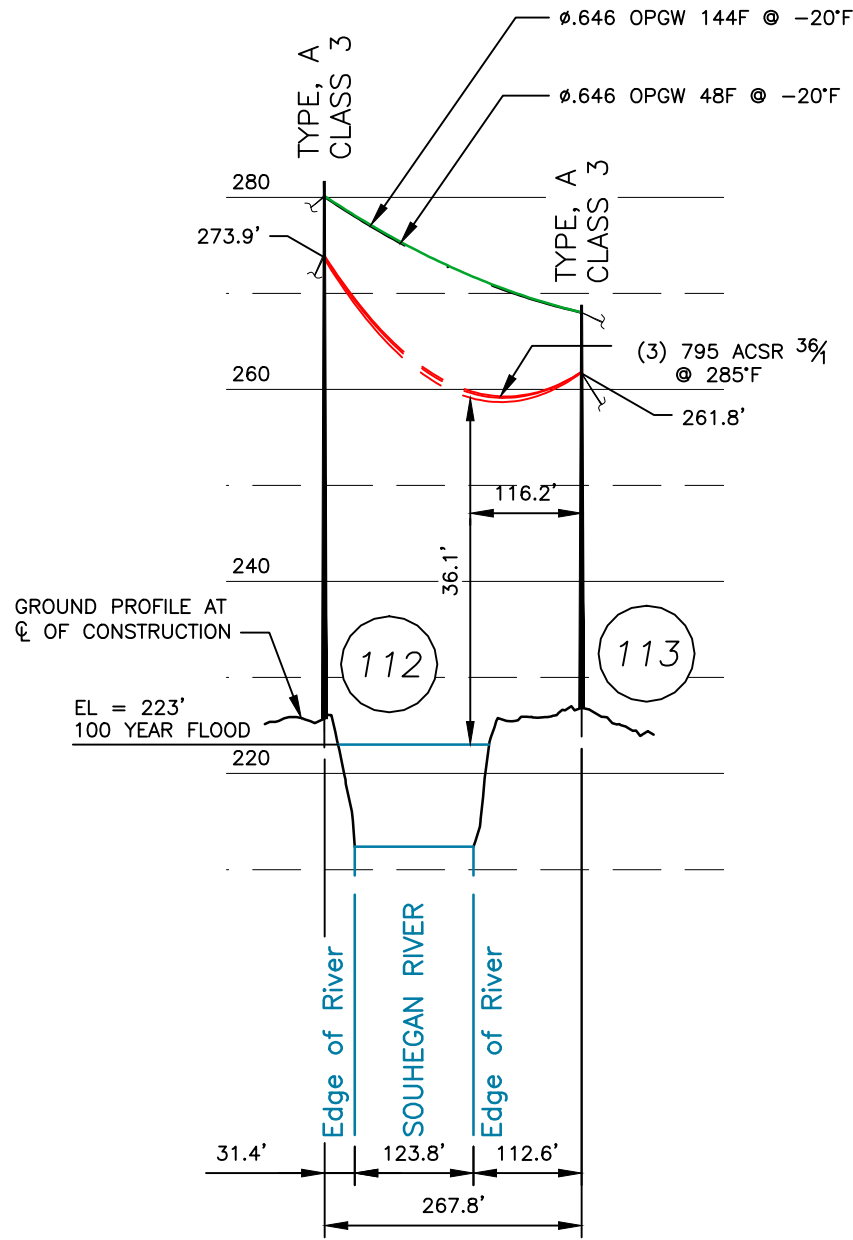
NOTES:

- PARCEL INFORMATION PROVIDED BY NH GRANIT.
- ELEVATIONS REFERENCED TO THE NORTH AMERICAN VERTICAL DATUM OF 1988.
- 100 YEAR FLOOD ELEVATION FROM THE FEMA FLOOD MAP SERVICE CENTER, NATIONAL FLOOD HAZARD LAYER FIRMETTE, 09/25/2009.

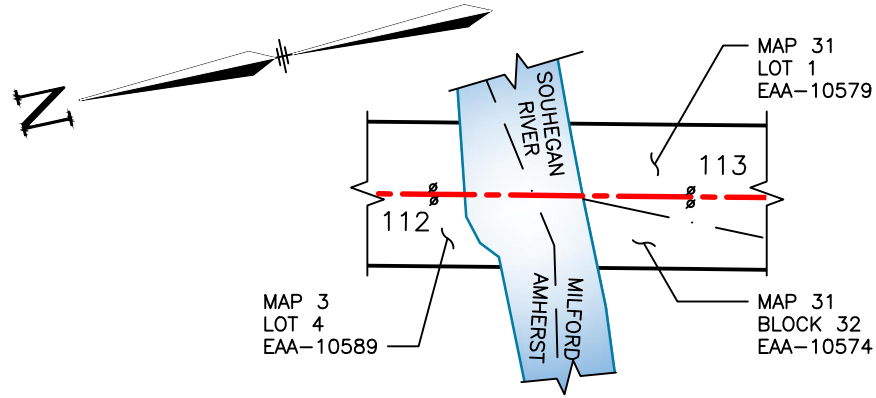


	T 1
	DRAWN GBS
	ENGINEER CJN
	CHECKED CJN
W157, 115kV LINE BEAVER BROOK, PUBLIC WATER CROSSING AMHERST, NEW HAMPSHIRE EXHIBIT 7	
APPROVED CJN	
DATE 04/10/2023	
DRAWING NO. 04096-81006	

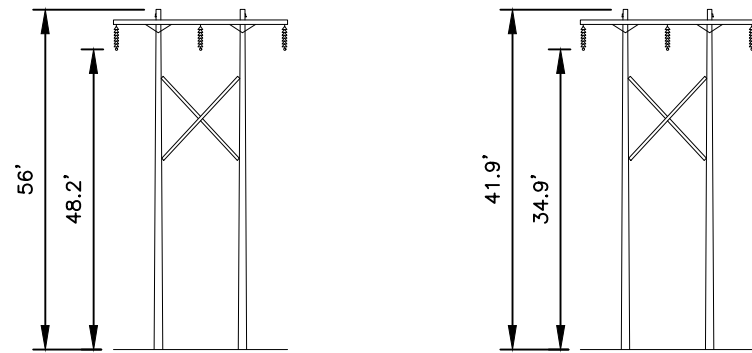
DWG REV	EPN/DESCRIPTION	CONT/PE#	DATE	DRN	CHKD	APPR
1	SUBMITTED TO STATE OF NH DOE		05/23	GBS	CJN	CJN



PROFILE VIEW
SCALE: HORZ 1" = 200'
VERT 1" = 20'



PLAN VIEW
SCALE: 1" = 200'



STRUCTURE 112 STRUCTURE 113

STR 112 AND 113: ARE A EVERSOURCE TYPE A, SINGLE CIRCUIT WOOD POLE TANGENT, HORIZONTAL CONFIG.

STRUCTURE DETAIL
SCALE: NTS

LEGEND:

- 112 STRUCTURE (WITH GUYS)
- PROPERTY BOUNDARY
- W157 LINE 115KV LINE, C OF CONSTRUCTION
- LIMITS OF EVERSOURCE RIGHT OF WAY
- WATERBODY

STRUCTURE LOCATION		
STRUCTURE	LONGITUDE	LATITUDE
112	-71.63187648	42.83197446
113	-71.63210008	42.83125828

NESC VERTICAL CLEARANCE (FT) FROM TABLE 232.1, C2-2012	
NATURE OF SURFACE UNDERNEATH WIRES, CONDUCTORS OR CABLES	115kV
WATER AREAS NOT SUITABLE FOR SAIL BOATING OR WHERE SAIL BOATING IS PROHIBITED	18.6

CABLE SCHEDULE						
WIRE	QTY OF CABLES	DESCRIPTION	DESIGN CONDITIONS			
			MAX DESIGN TENSION (lb)	TEMP (°F)	ICE (in)	WIND (psf)
CONDUCTOR	3	ACSR, 795 kcmil 36/1, COOT	5500	0	0.5	4
OPGW	1	0.646", 144F AFL DNO-11854	4200	0	0.5	4
OPGW	1	0.646", 48F AFL DNO-11852	4200	0	0.5	4

NOTES:

- PARCEL INFORMATION PROVIDED BY NH GRANIT.
- ELEVATIONS REFERENCED TO THE NORTH AMERICAN VERTICAL DATUM OF 1988.
- 100 YEAR FLOOD ELEVATION FROM THE FEMA FLOOD MAP SERVICE CENTER, NATIONAL FLOOD HAZARD LAYER FIRMETTE, 09/25/2009.

	T 1
	DRAWN GBS
	ENGINEER CJN
	CHECKED CJN
W157, 115kV LINE SOUHEGAN RIVER, PUBLIC WATER CROSSING AMHERST, MILFORD, NEW HAMPSHIRE EXHIBIT 8	
APPROVED CJN	
DATE 04/10/2023	



DWG REV	EPN/DESCRIPTION	CONT/PE#	DATE	DRN	CHKD	APPR
1	SUBMITTED TO STATE OF NH DOE		05/23	GBS	CJN	CJN