

**LEGEND:**

- R193 LINE:
- R193 STR:

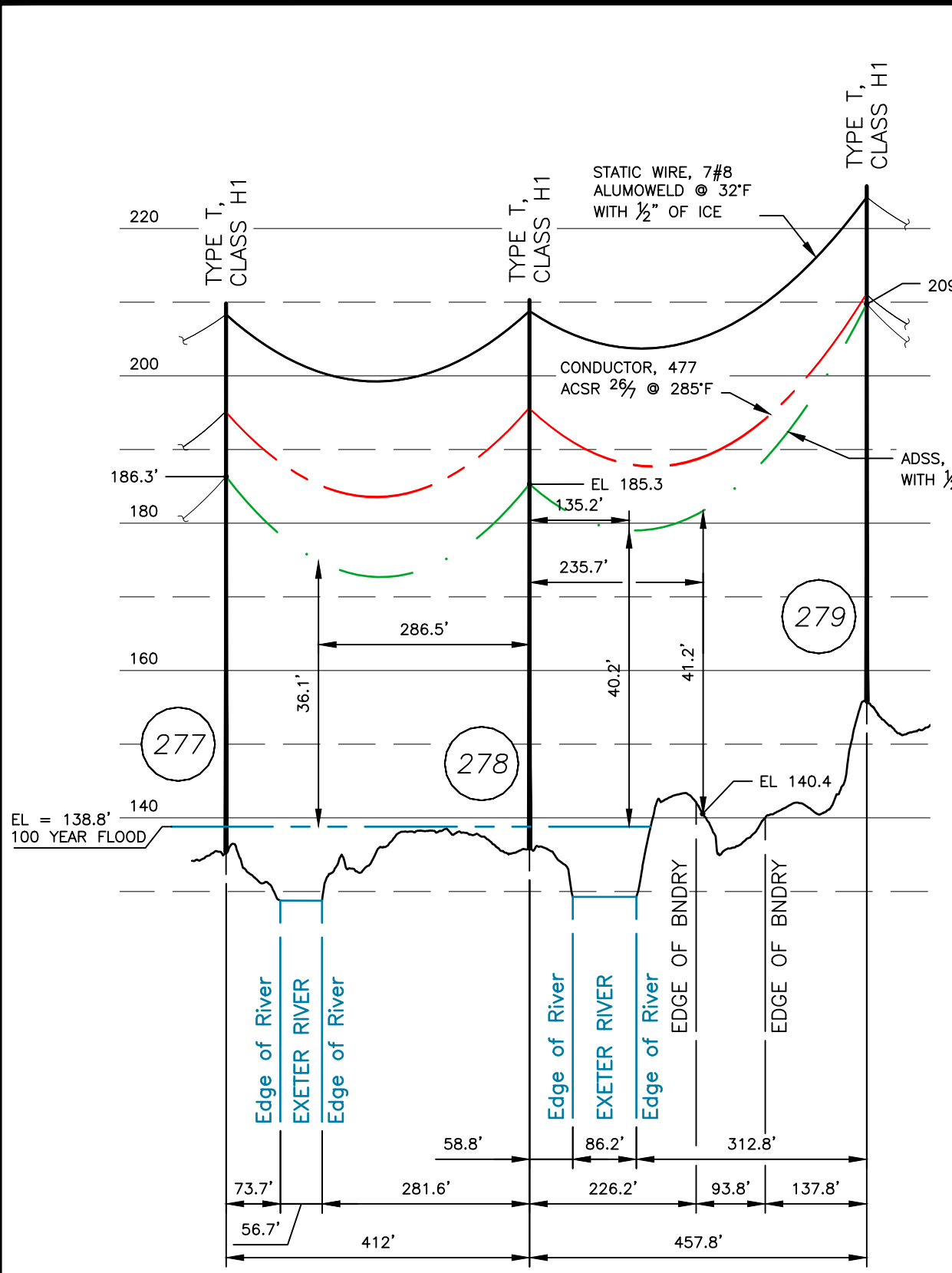
DWG REV	EPN/DESCRIPTION	CONT/PE#	DATE	DRN	CHKD	APPR
1	SUBMITTED TO STATE DOE		04/23	GBS	SAC	DSD



R193, 115kV LINE  
PUBLIC LAND AND WATER CROSSING, LOCATION PLAN  
FREMONT, NEW HAMPSHIRE  
EXHIBIT 1

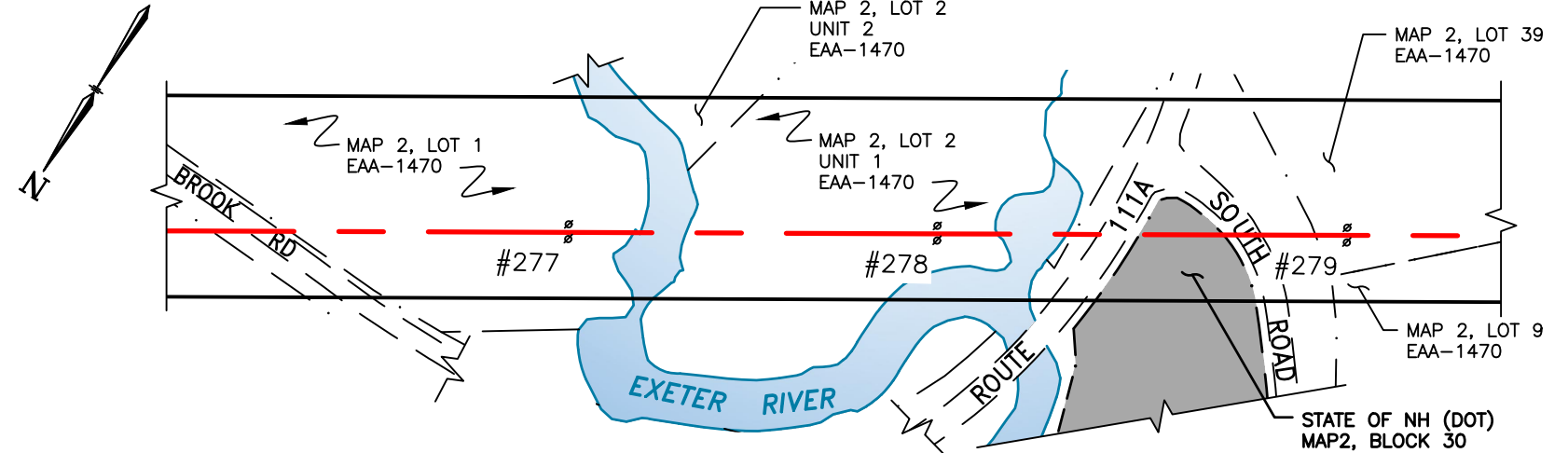
T	1
DRAWN GBS	
ENGINEER SAC	
CHECKED SAC	
APPROVED DSD	
DATE 03/06/23	

SCALE 1" = 2500'	FILE: 04072-81001.DWG IMAGE:	DRAWING NO. 04072-81001
---------------------	---------------------------------	----------------------------



**PROFILE VIEW**

SCALE: HORZ 1" = 200'  
VERT 1" = 20'



**PLAN VIEW**

SCALE: 1" = 200'

**LEGEND:**

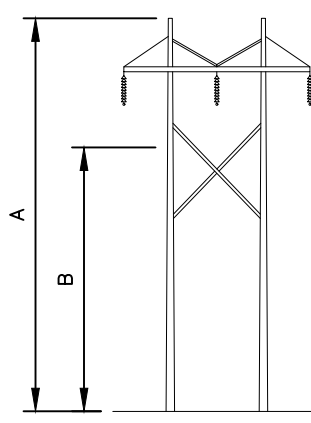
- #278 STRUCTURE
- BODY OF WATER
- PROPERTY BOUNDARY
- R193 LINE 115KV LINE, C OF CONSTRUCTION
- LIMITS OF EVERSOURCE RIGHT OF WAY

**NOTES:**

1. PARCEL INFORMATION PROVIDED BY NH GRANIT.
2. ELEVATIONS REFERENCED TO THE NORTH AMERICAN VERTICAL DATUM OF 1988.
3. THE 100 YEAR FLOOD ELEVATION FROM THE FEMA FLOOD MAP SERVICE CENTER, NATIONAL FLOOD HAZARD LAYER FIRMETTE, 03/28/2023 IS A ZONE A. THE ELEVATION WAS DEVELOPED THROUGH CONTOUR INTERPOLATION AS DEFINED IN THE FEMA APPROXIMATE ZONE A AREAS, A GUIDE FOR OBTAINING AND DEVELOPING BASE (100 YEAR) FLOOD ELEVATIONS, SECTION V. DEVELOPING BASE (100 YEAR) FLOOD ELEVATIONS.

STRUCTURE LOCATION		
STRUCTURE	LONGITUDE	LATITUDE
277	-71.11884838	42.96689700
278	-71.12015340	42.96629745
279	-71.12160365	42.96563115

NESC VERTICAL CLEARANCE (FT) FROM TABLE 232.1	
NATURE OF SURFACE UNDERNEATH WIRES, CONDUCTORS OR CABLES	ADSS
OTHER AREAS TRAVERSED BY VEHICLES, SUCH AS CULTIVATED, GRAZING, FOREST, AND ORCHARD LANDS, INDUSTRIAL SITES, COMMERCIAL SITES, ETC	15.5
WATER AREAS NOT SUITABLE FOR SAIL BOATING OR WHERE SAIL BOATING IS PROHIBITED	14.0

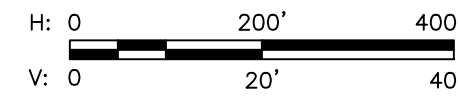


DIMENSION TABLE		
STRUCTURE	A (ft)	B (ft)
277	74.5	51.0
278	74.5	49.5
279	70.0	54.0

EVERSOURCE TYPE T, SINGLE CIRCUIT STEEL POLE TANGENT, H-FRAME

**STRUCTURE DETAIL**

SCALE: NTS



CABLE SCHEDULE						
WIRE	QTY OF CABLES	DESCRIPTION	DESIGN CONDITIONS			
			MAX DESIGN TENSION (lb)	TEMP (°F)	ICE (in)	WIND (psf)
CONDUCTOR	3	ACSR, 477 kcmil 26/7, LINNET	4700	0	0.5	4
STATIC	1	7#8 ALUMOWELD	3500	0	0.5	4
ADSS	1	24 FIBER	3500	0	0.5	4

**R193, 115kV LINE  
PUBLIC LAND CROSSING  
EXETER RIVER, PUBLIC WATER CROSSING  
FREMONT, NEW HAMPSHIRE, EXHIBIT 2**

T	1
DRAWN	GBS
ENGINEER	SAC
CHECKED	SAC
APPROVED	DSD
DATE	03/04/23

DWG REV	EPN/DESCRIPTION	CONT/PE#	DATE	DRN	CHKD	APPR
1	SUBMITTED TO DOE		04/23	GBS	SAC	DSD