

LEGEND:

H141 LINE: - - - - -

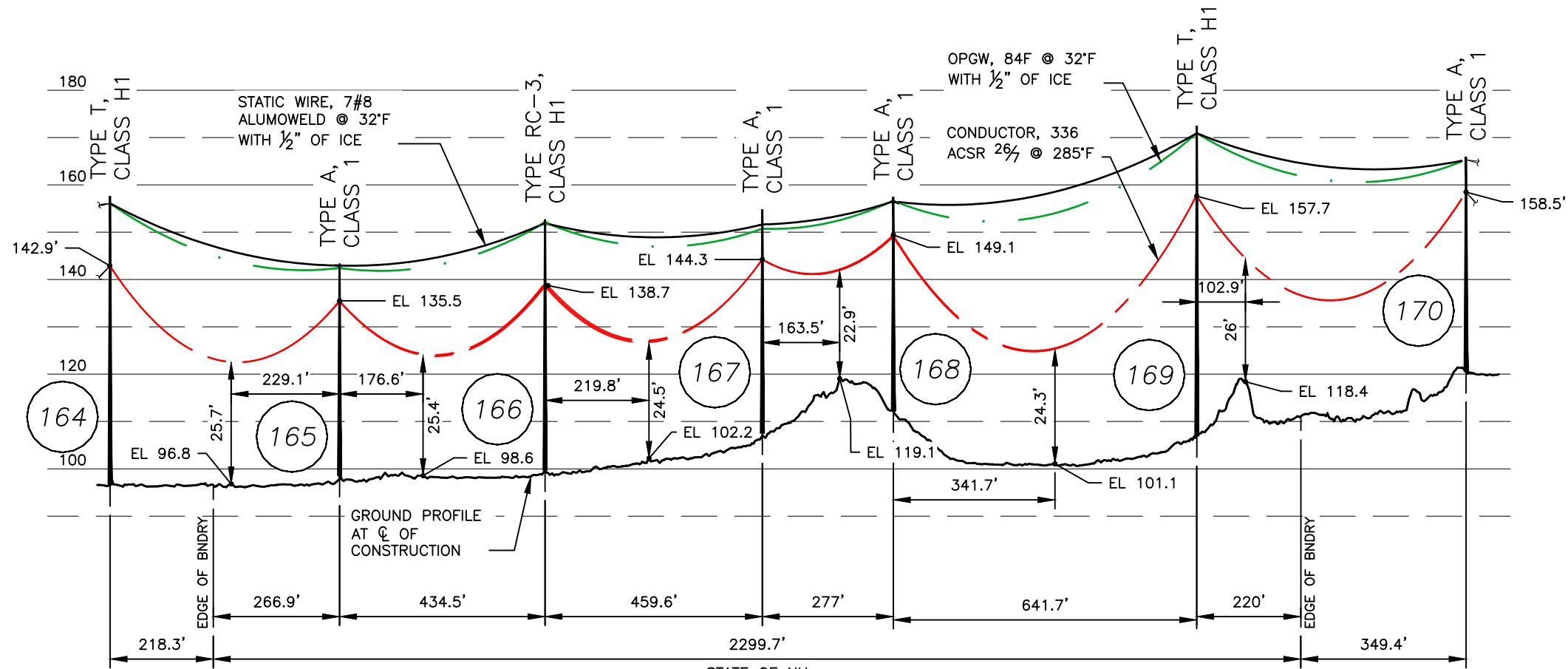
EVERSOURCE ENERGY

H141, 115kV LINE
 STATE OWNED LAND AND PUBLIC WATER CROSSING, LOCATION PLAN
 EXETER TO FREMONT, NEW HAMPSHIRE
 EXHIBIT 1

T	1
DRAWN GBS	
ENGINEER SAC	
CHECKED SAC	
APPROVED DSD	
DATE 03/06/23	

1	SUBMITTED TO STATE DOE	04/23	GBS	SAC	DSD	
DWG REV	EPN/DESCRIPTION	CONT/PE#	DATE	DRN	CHKD	APPR

SCALE 1" = 5000'	FILE: 04035-81001.DWG	DRAWING NO. 04035-81001
IMAGE:		



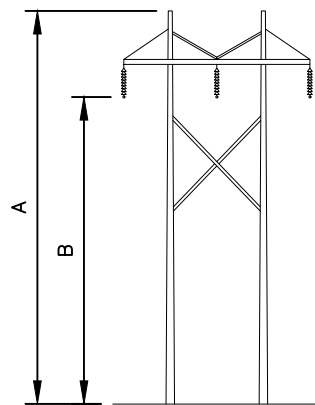
PROFILE VIEW

SCALE: HORZ 1" = 300'
VERT 1" = 30'

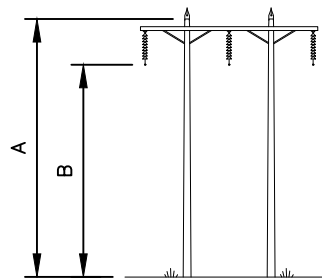
NOTES:

1. PARCEL INFORMATION PROVIDED BY NH GRANIT.
2. ELEVATIONS REFERENCED TO THE NORTH AMERICAN VERTICAL DATUM OF 1988.

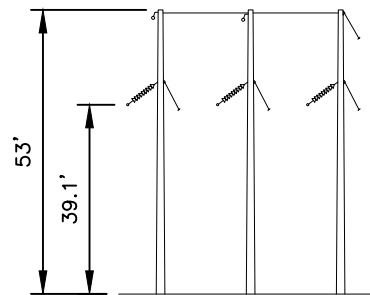
NESV VERTICAL CLEARANCE (FT) FROM TABLE 232.1	
NATURE OF SURFACE UNDERNEATH WIRES, CONDUCTORS OR CABLES	115kV
OTHER AREAS TRAVERSED BY VEHICLES, SUCH AS CULTIVATED, GRAZING, FOREST, AND ORCHARD LANDS, INDUSTRIAL SITES, COMMERCIAL SITES, ETC	20.1



STR 164, 169: EVERSOURCE TYPE T, SINGLE CIRCUIT STEEL POLE TANGENT, H-FRAME



STR 165, 167, 168, 170: EVERSOURCE TYPE A, SINGLE CIRCUIT WOOD POLE TANGENT, H-FRAME



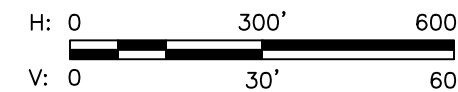
STR 166: EVERSOURCE TYPE RC-3, SINGLE CIRCUIT LAMINATED WOOD POLE RUNNING ANGLE

STRUCTURE DETAILS

SCALE: NTS

DIMENSION TABLE		
STRUCTURE	A (ft)	B (ft)
164	61.0	46.3
165	44.7	36.9
167	47.7	37.1
168	45.2	37.3
169	65.5	50.8
170	45.4	38.1

CABLE SCHEDULE						
WIRE	QTY OF CABLES	DESCRIPTION	DESIGN CONDITIONS			
			MAX DESIGN TENSION (lb)	TEMP (°F)	ICE (in)	WIND (psf)
CONDUCTOR	3	ACSR, 336 kcmil 26/7, LINNET	4700	0	0.5	4
STATIC	1	7#8 ALUMOWELD	3500	0	0.5	4
OPGW	1	84 FIBER	3500	0	0.5	4

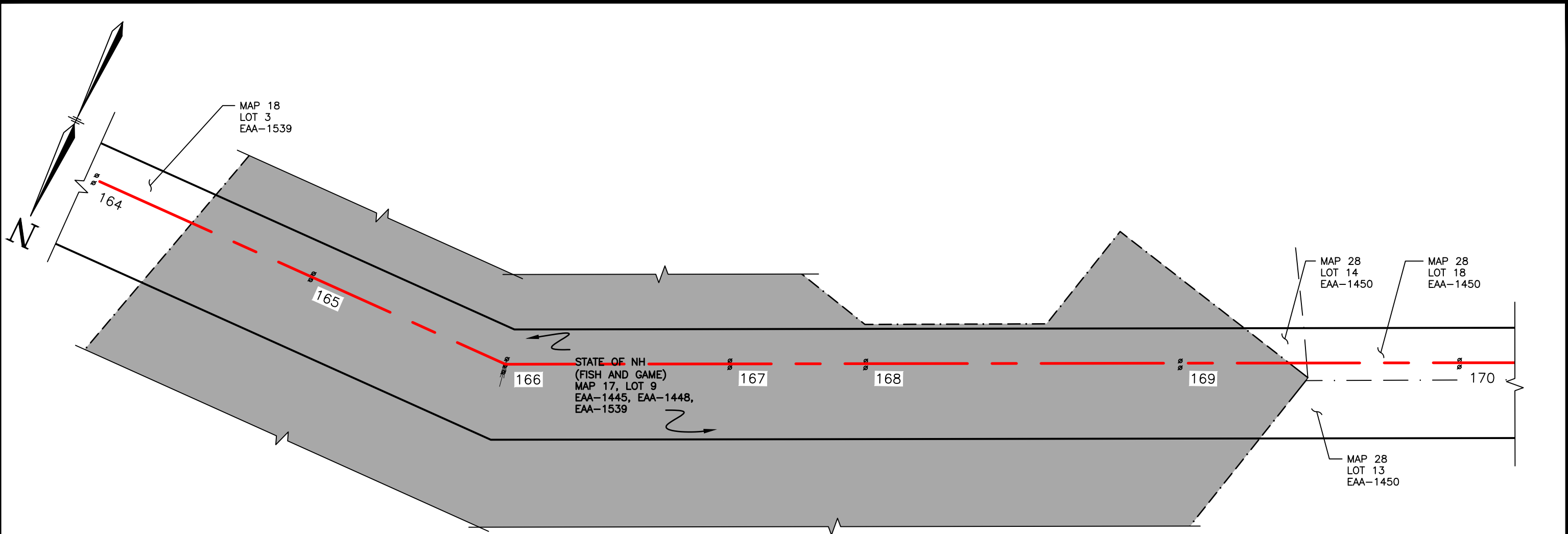


H141, 115kV LINE
STATE OWNED LAND CROSSING
EXETER, NEW HAMPSHIRE
EXHIBIT 2

T	1
DRAWN	GBS
ENGINEER	SAC
CHECKED	SAC
APPROVED	DSD
DATE	03/06/23

DWG REV	1	SUBMITTED TO DOE	04/23	GBS	SAC	DSD
EPN/DESCRIPTION	CONT/PE#	DATE	DRN	CHKD	APPR	

SCALE AS SHOWN
FILE: 04035-81001.DWG
DRAWING NO. 04035-81001



PLAN VIEW
SCALE: 1" = 200'

STRUCTURE LOCATION		
STRUCTURE	LONGITUDE	LATITUDE
164	-70.98398526	43.01546273
165	-70.98579904	43.01544510
166	-70.98742341	43.01545272
167	-70.98896794	43.01490035
168	-70.98990705	43.01458026
169	-70.99208101	43.01383571
170	-70.99400759	43.01317126

- LEGEND:**
- STRUCTURE (WITH GUYS)
 - 166
 - STATE OF NEW HAMPSHIRE PROPERTY
 - PROPERTY BOUNDARY
 - H141 LINE 115KV** LINE, ϕ OF CONSTRUCTION
 - LIMITS OF EVERSOURCE RIGHT OF WAY

- NOTES:**
1. PARCEL INFORMATION PROVIDED BY NH GRANIT.
 2. ELEVATIONS REFERENCED TO THE NORTH AMERICAN VERTICAL DATUM OF 1988.



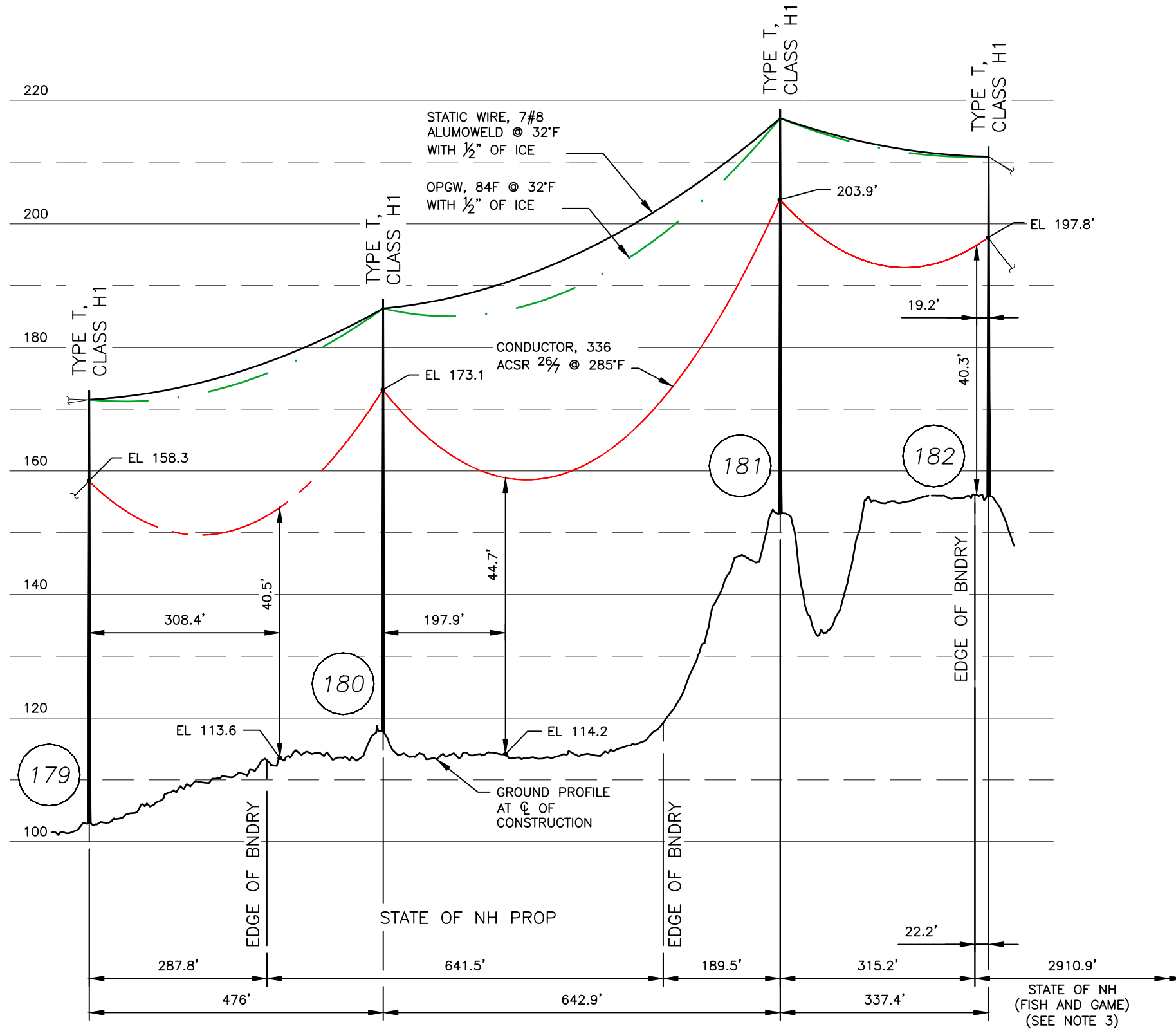
DWG REV	EPN/DESCRIPTION	CONT/PE#	DATE	DRN	CHKD	APPR
1	SUBMITTED TO DOE		04/23	GBS	SAC	DSD

EVERSOURCE ENERGY

H141, 115kV LINE
STATE OWNED LAND CROSSING
EXETER, NEW HAMPSHIRE
EXHIBIT 3

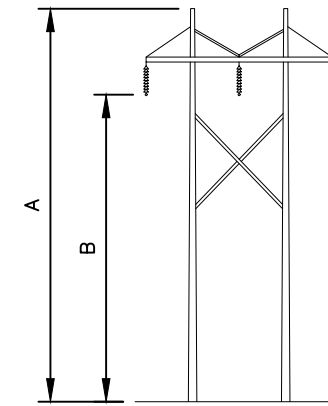
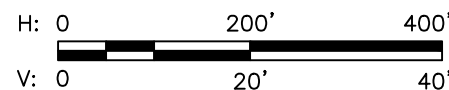
SCALE AS SHOWN	FILE: 04035-81001.DWG IMAGE:	DRAWING NO. 04035-81001
-------------------	---------------------------------	----------------------------

DRAWN GBS	T 1
ENGINEER SAC	CHECKED SAC
APPROVED DSD	DATE 03/06/23



PROFILE VIEW

SCALE: HORZ 1" = 200'
VERT 1" = 20'



DIMENSION TABLE		
STRUCTURE	A (ft)	B (ft)
179	70.0	55.3
180	70.0	55.3
181	65.5	50.8
182	37.3	43.3

EVERSOURCE TYPE T, SINGLE CIRCUIT STEEL POLE TANGENT, H-FRAME

STRUCTURE DETAIL

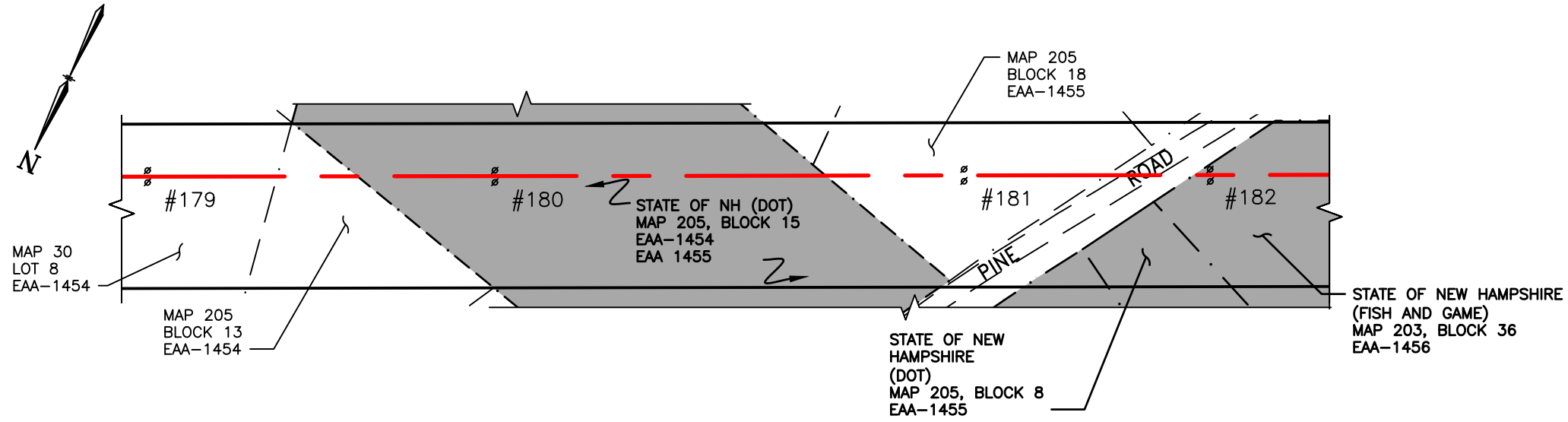
SCALE: NTS

NOTES:

1. PARCEL INFORMATION PROVIDED BY NH GRANIT.
2. ELEVATIONS REFERENCED TO THE NORTH AMERICAN VERTICAL DATUM OF 1988.
3. STATE OWNED LAND MAP 203, BLOCK 36 WAS PREVIOUSLY LICENSED UNDER LICENSE NUMBER CR 2021-011.

	T	1
	DRAWN	GBS
	ENGINEER	SAC
	CHECKED	SAC
	APPROVED	DSD
	DATE	03/06/23
H141, 115kV LINE STATE OWNED LAND CROSSING BRENTWOOD, NEW HAMPSHIRE EXHIBIT 4		
SCALE	FILE: 04035-81002.DWG	DRAWING NO.
AS SHOWN	IMAGE:	04035-81002

DWG REV	EPN/DESCRIPTION	CONT/PE#	DATE	DRN	CHKD	APPR
1	SUBMITTED TO DOE		04/23	GBS	SAC	DSD



PLAN VIEW

LEGEND:

- #175 STRUCTURE
- STATE OF NEW HAMPSHIRE PROPERTY
- PROPERTY BOUNDARY
- H141 LINE 115KV LINE, C OF CONSTRUCTION
- LIMITS OF EVERSOURCE RIGHT OF WAY

NOTES:

1. PARCEL INFORMATION PROVIDED BY NH GRANIT.
2. ELEVATIONS REFERENCED TO THE NORTH AMERICAN VERTICAL DATUM OF 1988.
3. STATE OWNED LAND MAP 203, BLOCK 36 WAS PREVIOUSLY LICENSED UNDER LICENSE NUMBER CR 2021-011.

STRUCTURE LOCATION		
STRUCTURE	LONGITUDE	LATITUDE
179	-71.00757521	43.00849978
180	-71.00918733	43.00794702
181	-71.01136263	43.00719696
182	-71.01249074	43.00682754

NESC VERTICAL CLEARANCE (FT) FROM TABLE 232.1	
NATURE OF SURFACE UNDERNEATH WIRES, CONDUCTORS OR CABLES	115kV
OTHER AREAS TRAVERSED BY VEHICLES, SUCH AS CULTIVATED, GRAZING, FOREST, AND ORCHARD LANDS, INDUSTRIAL SITES, COMMERCIAL SITES, ETC	20.1

CABLE SCHEDULE						
WIRE	QTY OF CABLES	DESCRIPTION	DESIGN CONDITIONS			
			MAX DESIGN TENSION (lb)	TEMP (°F)	ICE (in)	WIND (psf)
CONDUCTOR	3	ACSR, 336 kcmil 26/7, LINNET	4700	0	0.5	4
STATIC	1	7#8 ALUMOWELD	3500	0	0.5	4
OPGW	1	84 FIBER	3500	0	0.5	4



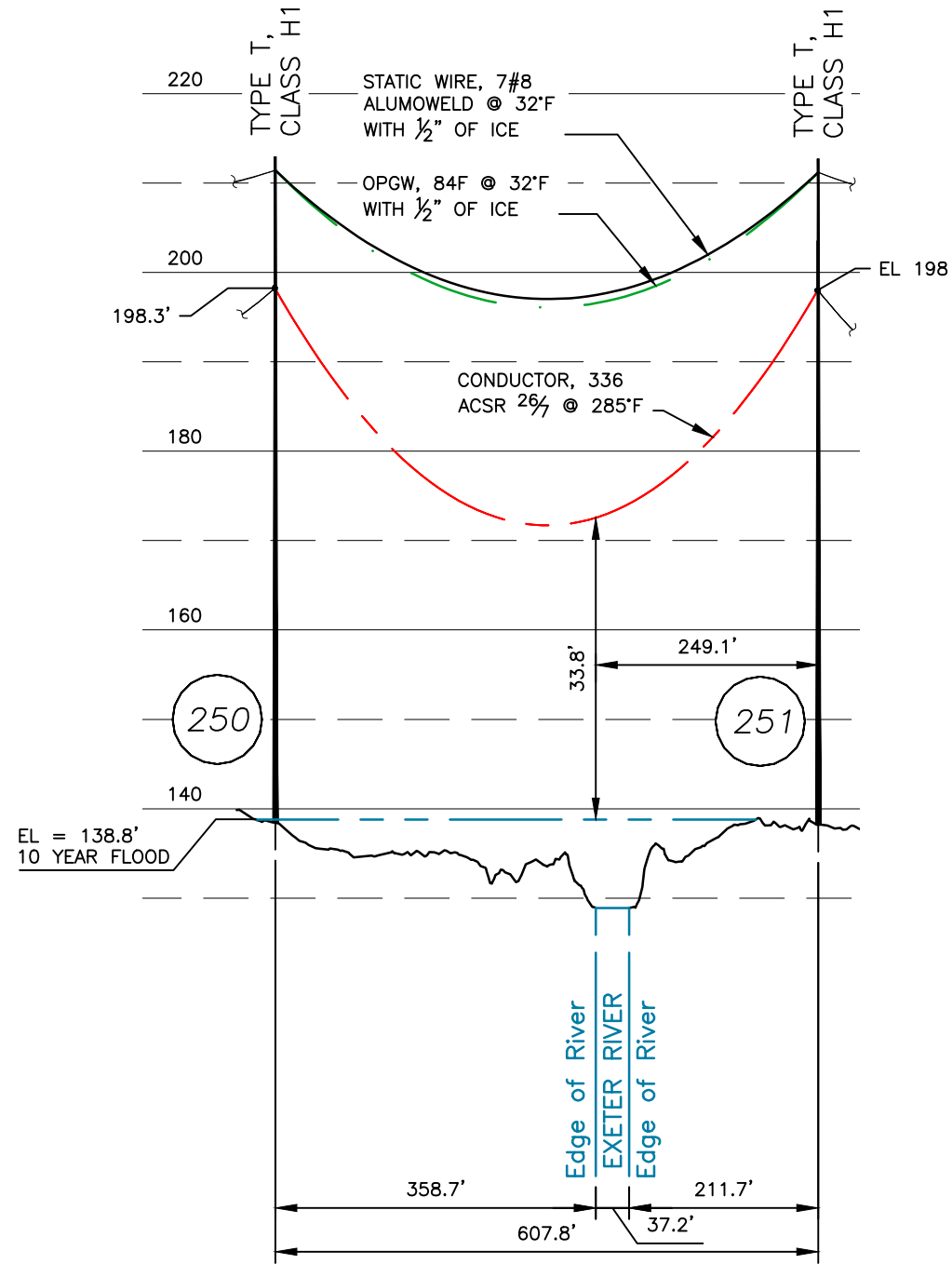
DWG REV	EPN/DESCRIPTION	CONT/PE#	DATE	DRN	CHKD	APPR
1	SUBMITTED TO DOE		04/23	GBS	SAC	DSD

EVERSOURCE ENERGY

H141, 115kV LINE
STATE OWNED LAND CROSSING
BRENTWOOD, NEW HAMPSHIRE
EXHIBIT 5

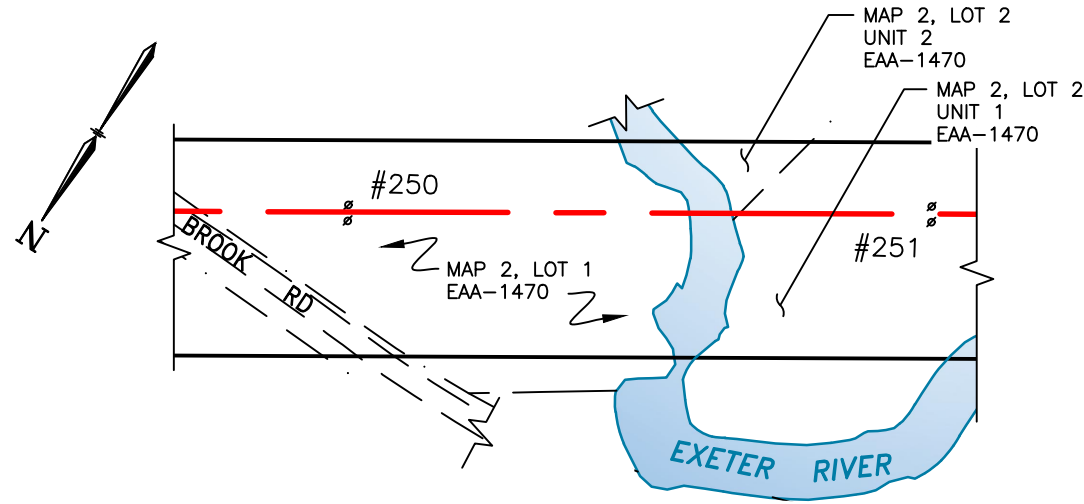
DRAWN GBS	T 1
ENGINEER SAC	CHECKED SAC
APPROVED DSD	DATE 03/06/23

SCALE: 1"=200' FILE: 04035-81002.DWG DRAWING NO. 04035-81002



PROFILE VIEW

SCALE: HORZ 1" = 200'
VERT 1" = 20'

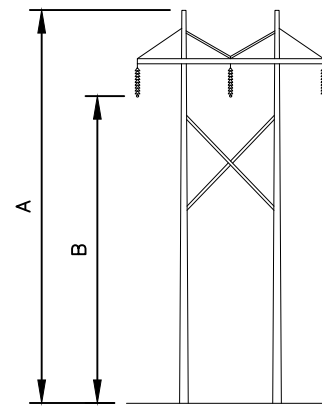


PLAN VIEW

SCALE: 1" = 200'

LEGEND:

- #250 STRUCTURE
- BODY OF WATER
- PROPERTY BOUNDARY
- H141 LINE 115KV
- LIMITS OF EVERSOURCE RIGHT OF WAY



STRUCTURE DETAIL

SCALE: NTS

DIMENSION TABLE		
STRUCTURE	A (ft)	B (ft)
250	74.5	59.8
251	74.5	59.8

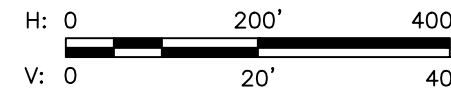
NOTES:

1. PARCEL INFORMATION PROVIDED BY NH GRANIT.
2. ELEVATIONS REFERENCED TO THE NORTH AMERICAN VERTICAL DATUM OF 1988.
4. THE 100 YEAR FLOOD ELEVATION FROM THE FEMA FLOOD MAP SERVICE CENTER, NATIONAL FLOOD HAZARD MAP LAYER FIRMETTE, 03/28/2023 IS A ZONE A. THE ELEVATION WAS DEVELOPED THROUGH CONTOUR INTERPOLATION AS DEFINED IN THE FEMA APPROXIMATE ZONE A AREAS, A GUIDE FOR OBTAINING AND DEVELOPING BASE (100 YEAR) FLOOD ELEVATIONS, SECTION V. DEVELOPING BASE (100 YEAR) FLOOD ELEVATIONS.

STRUCTURE LOCATION		
STRUCTURE	LONGITUDE	LATITUDE
250	-71.11784286	42.96711487
251	-71.11976576	42.96622781

NESC VERTICAL CLEARANCE (FT) FROM TABLE 232.1	
NATURE OF SURFACE UNDERNEATH WIRES, CONDUCTORS OR CABLES	115kV
WATER AREAS NOT SUITABLE FOR SAIL BOATING OR WHERE SAIL BOATING IS PROHIBITED	18.6

CABLE SCHEDULE						
WIRE	QTY OF CABLES	DESCRIPTION	DESIGN CONDITIONS			
			MAX DESIGN TENSION (lb)	TEMP (°F)	ICE (in)	WIND (psf)
CONDUCTOR	3	ACSR, 336 kcmil 26/7, LINNET	4700	0	0.5	4
STATIC	1	7#8 ALUMOWELD	3500	0	0.5	4
OPGW	1	84 FIBER	3500	0	0.5	4



EVERSOURCE ENERGY

H141, 115kV LINE
EXETER RIVER, PUBLIC WATER CROSSING
FREMONT, NEW HAMPSHIRE
EXHIBIT 6

T	1
DRAWN	GBS
ENGINEER	SAC
CHECKED	SAC
APPROVED	DSD
DATE	03/06/23

DWG REV	EPN/DESCRIPTION	CONT/PE#	DATE	DRN	CHKD	APPR
1	SUBMITTED TO DOE		04/23	GBS	SAC	DSD

SCALE	AS SHOWN	FILE: 04035-81003.DWG	DRAWING NO.	04035-81003
-------	----------	-----------------------	-------------	-------------