



LEGEND:

- A126 LINE: - - - - -
- A126 STR: 186

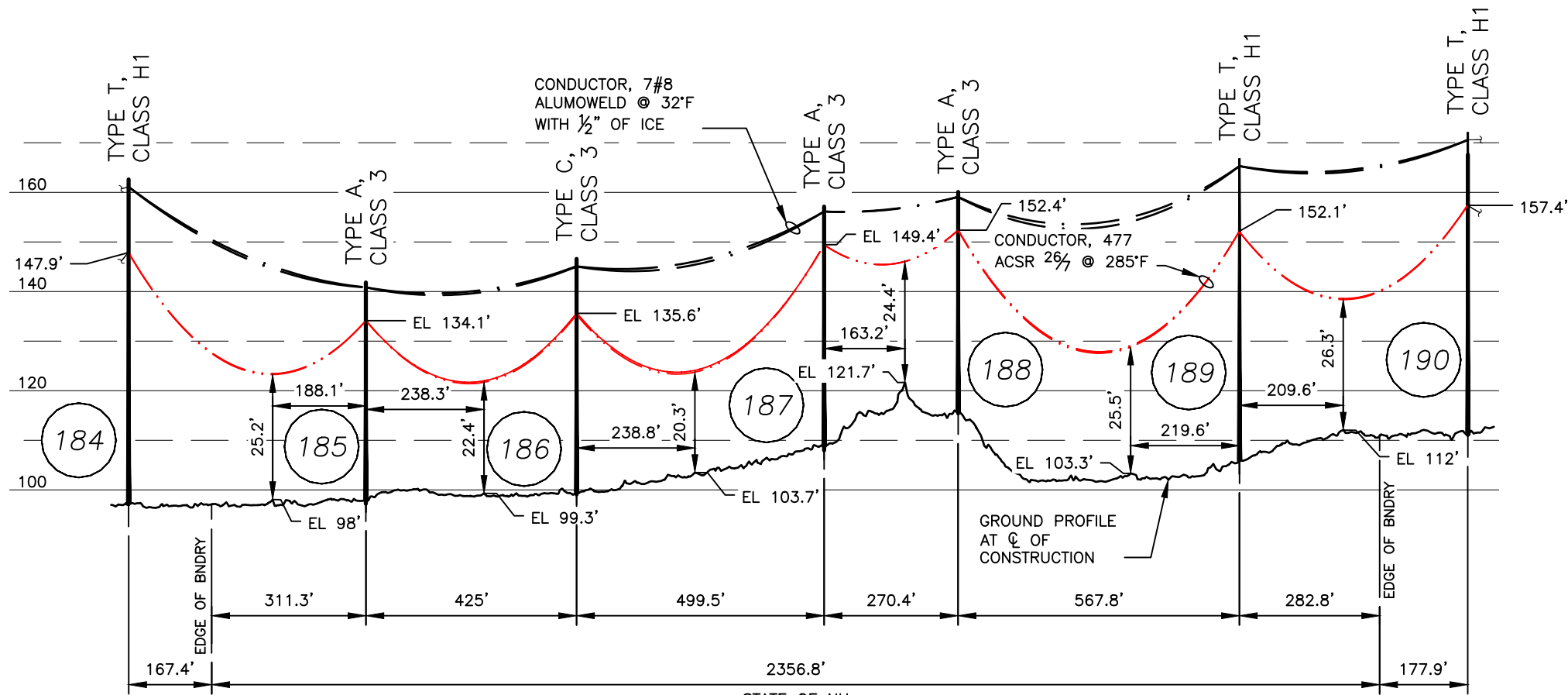


A126, 115kV LINE
 STATE OWNED LAND CROSSING, LOCATION PLAN
 EXETER, NEW HAMPSHIRE
 EXHIBIT 1

T	1
DRAWN GBS	
ENGINEER SAC	
CHECKED SAC	
APPROVED DSD	
DATE 01/05/23	

DWG REV	EPN/DESCRIPTION	CONT/PE#	DATE	DRN	CHKD	APPR
1	SUBMITTED TO STATE DOE		04/23	GBS	SAC	DSD

SCALE 1" = 1500'	FILE: 04002-81001.DWG IMAGE:	DRAWING NO. 04002-81001
---------------------	---------------------------------	----------------------------



PROFILE VIEW

SCALE: HORZ 1" = 300'
VERT 1" = 30'

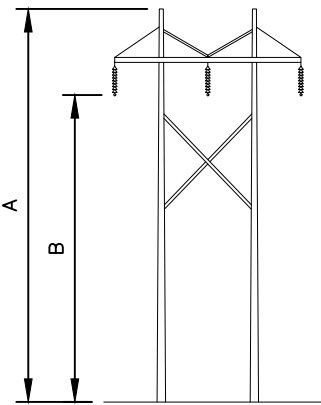
NOTES:

1. PARCEL INFORMATION PROVIDED BY NH GRANIT.
2. ELEVATIONS REFERENCED TO THE NORTH AMERICAN VERTICAL DATUM OF 1988.

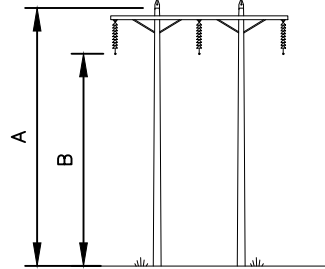
NESC VERTICAL CLEARANCE (FT) FROM TABLE 232.1	
NATURE OF SURFACE UNDERNEATH WIRES, CONDUCTORS OR CABLES	115kv
OTHER AREAS TRAVERSED BY VEHICLES, SUCH AS CULTIVATED, GRAZING, FOREST, AND ORCHARD LANDS, INDUSTRIAL SITES, COMMERCIAL SITES, ETC	20.1

DIMENSION TABLE		
STRUCTURE	A (ft)	B (ft)
184	65.5	50.7
185	43.7	36.0
187	48.4	40.8
188	44.4	36.7
189	61.0	46.3
190	56.5	41.8

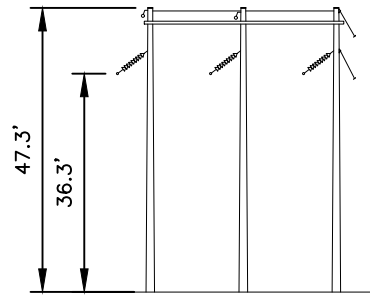
CABLE SCHEDULE						
WIRE	QTY OF CABLES	DESCRIPTION	DESIGN CONDITIONS			
			MAX DESIGN TENSION (lb)	TEMP (°F)	ICE (in)	WIND (psf)
CONDUCTOR	3	ACSR, 477 kcmil 26/7, HAWK	4700	0	0.5	4
STATIC	2	7#8 ALUMOWELD	3500	0	0.5	4



STR 184, 189, 190: EVERSOURCE TYPE T, SINGLE CIRCUIT STEEL POLE TANGENT, H-FRAME



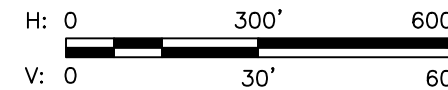
STR 185, 187, 188: EVERSOURCE TYPE A, SINGLE CIRCUIT WOOD POLE TANGENT, H-FRAME



STR 186: EVERSOURCE TYPE C, SINGLE CIRCUIT WOOD POLE RUNNING ANGLE, H-FRAME

STRUCTURE DETAILS

SCALE: NTS



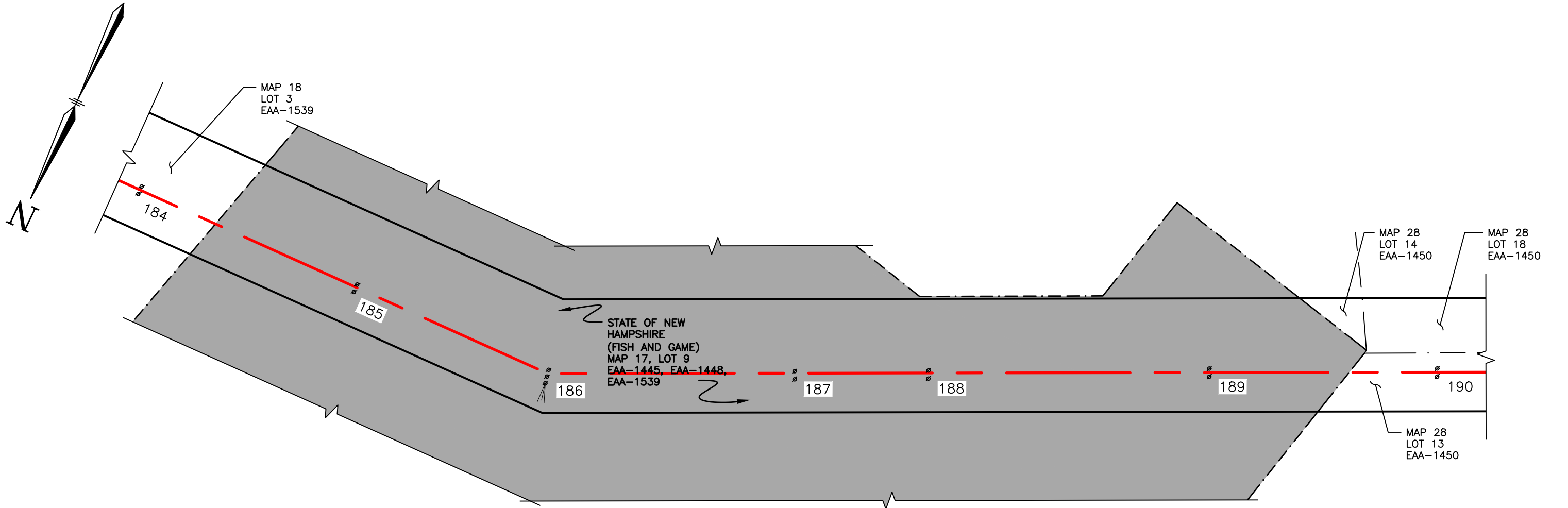
EVERSOURCE ENERGY

A126, 115kV LINE
STATE OWNED LAND CROSSING
EXETER, NEW HAMPSHIRE
EXHIBIT 2

T	2
DRAWN	GBS
ENGINEER	SAC
CHECKED	SAC
APPROVED	DSD
DATE	01/05/23

DWG REV	EPN/DESCRIPTION	CONT/PE#	DATE	DRN	CHKD	APPR
2	UPDATED DIMENSION AND ELEVATION, RESUBMITTED TO DOE		04/23	GBS	SAC	DSD
1	SUBMITTED TO DOE		04/23	GBS	SAC	DSD

SCALE AS SHOWN
FILE: 04002-81001.DWG
DRAWING NO. 04002-81001



PLAN VIEW
SCALE: 1" = 200'

STRUCTURE LOCATION		
STRUCTURE	LONGITUDE	LATITUDE
184	-70.98410117	43.01567000
185	-70.98589111	43.01565708
186	-70.98748468	43.01565287
187	-70.98917675	43.01506489
188	-70.99009048	43.01474753
189	-70.99200905	43.01408094
190	-70.99356907	43.01354474

- LEGEND:**
- STRUCTURE (WITH GUYS)
 - 186
 - STATE OF NEW HAMPSHIRE PROPERTY
 - PROPERTY BOUNDARY
 - A126 LINE 115KV** LINE, ϕ OF CONSTRUCTION
 - LIMITS OF EVERSOURCE RIGHT OF WAY

- NOTES:**
1. PARCEL INFORMATION PROVIDED BY NH GRANIT.
 2. ELEVATIONS REFERENCED TO THE NORTH AMERICAN VERTICAL DATUM OF 1988.



1	SUBMITTED TO DOE	04/23	GBS	SAC	DSD	
DWG REV	EPN/DESCRIPTION	CONT/PE#	DATE	DRN	CHKD	APPR

EVERSOURCE ENERGY

A126, 115kV LINE
STATE OWNED LAND CROSSING
EXETER, NEW HAMPSHIRE
EXHIBIT 3

SCALE AS SHOWN	DRAWING NO. 04002-81001
FILE: 04002-81001.DWG	DATE 01/05/23