



LEGEND:

J114 LINE: 

J114 STR: 

EVERSOURCE ENERGY

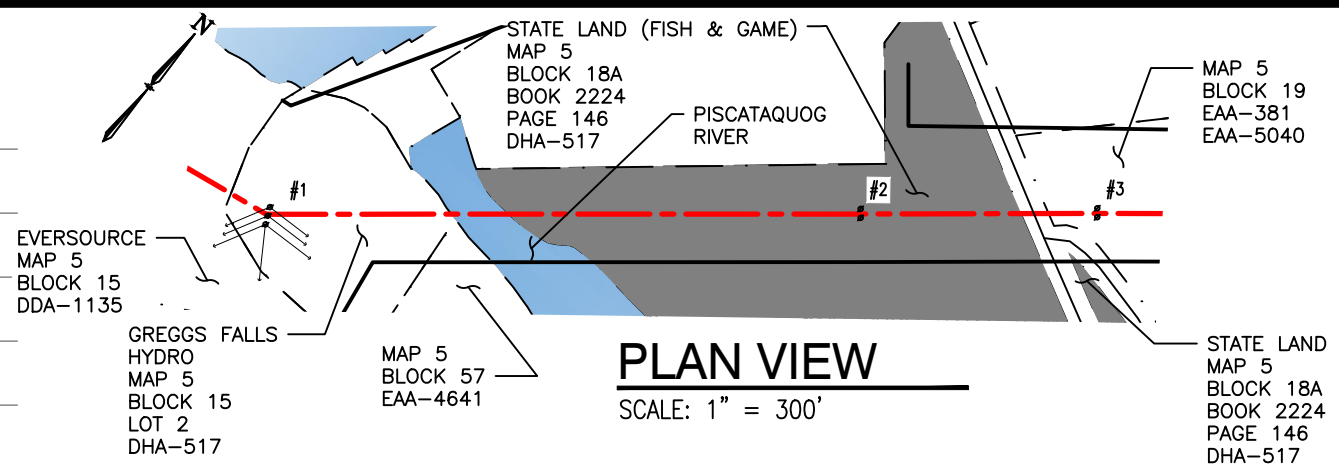
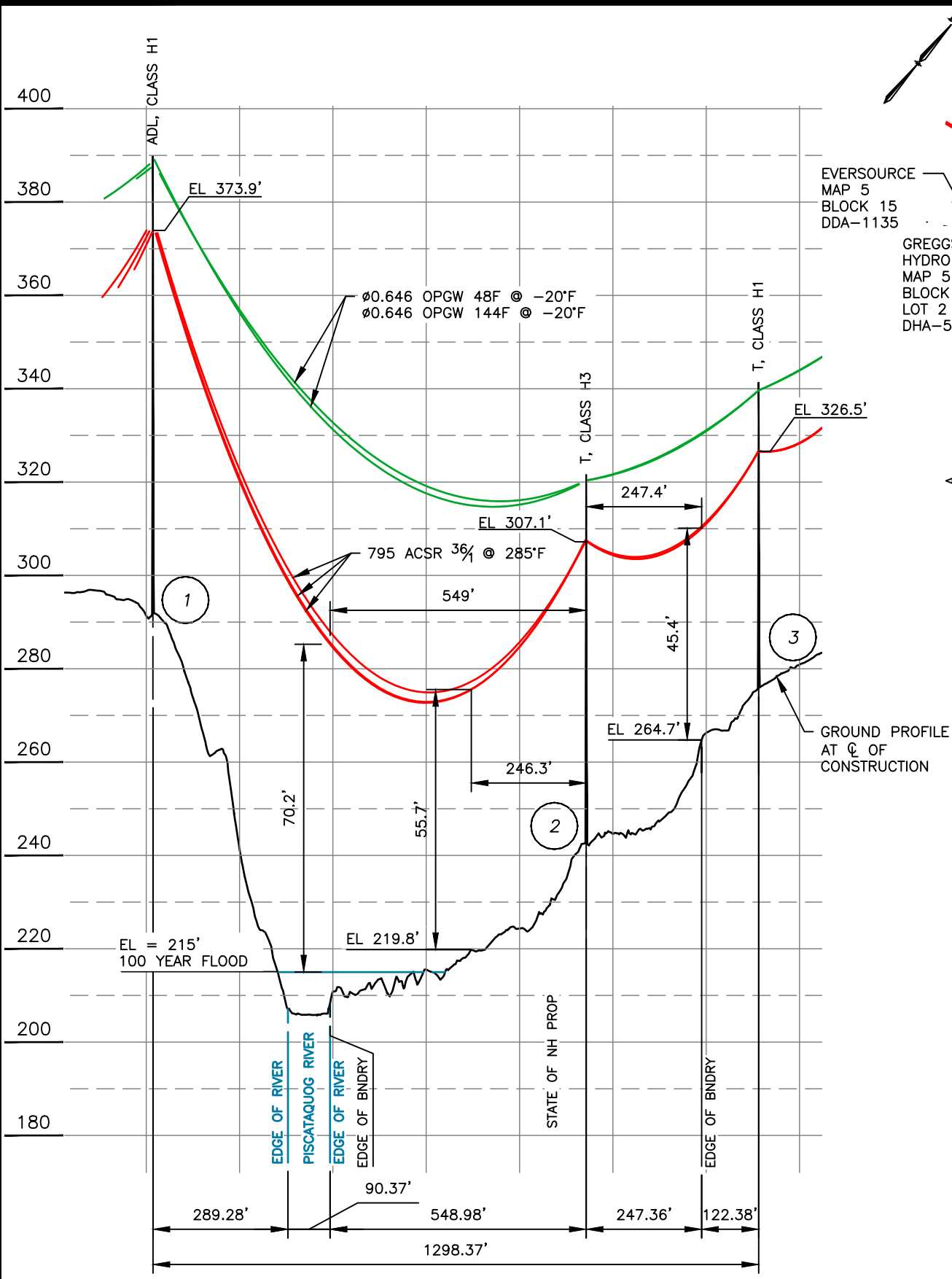
J114 115kV LINE
PISCATAQUOG RIVER & STATE CROSSING, LOCATION PLAN
GOFFSTOWN, NEW HAMPSHIRE
EXHIBIT 1

T	1
DRAWN CTS	
ENGINEER CJN	
CHECKED CJT	
APPROVED CJN	
DATE 11/4/2022	

DWG REV	EPN/DESCRIPTION	CONT/PE#	DATE	DRN	CHKD	APPR
1	ISSUED TO DOE		11/4/22	CTS	CJT	CJN

SCALE 1" = 1500'	FILE: 04039-81001.DWG IMAGE:	DRAWING NO. 04039-81001
---------------------	---------------------------------	----------------------------

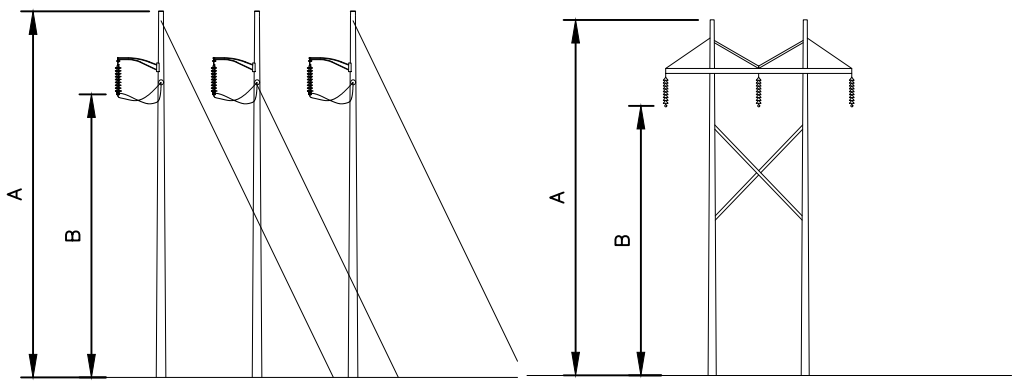
1/19/2023 2:36 PM - spensct - N:\ADEPT WORK AREA\NH WORK AREA\SPENSCT\115KV MILESHEET WORK...04039-81001.dwg - EXHIBIT 2 (WATERCROSSING)/2016



LEGEND:

- #1 STRUCTURE
- PROPERTY BOUNDARY
- J114 LINE 115KV LINE, Q OF CONSTRUCTION
- LIMITS OF EVERSOURCE RIGHT OF WAY
- WATERBODY

STRUCTURE LOCATION		
STRUCTURE	LONGITUDE	LATITUDE
1	-71.5680988	43.01605628
2	-71.56546084	43.01771308
3	-71.56441218	43.01837418



STR 1: IS AN EVERSOURCE TYPE ADL, SINGLE CIRCUIT STEEL POLE DEAD END ANGLE, HORIZONTAL CONFIG., GUYED.

STR'S 2 & 3: ARE EVERSOURCE TYPE T, SINGLE CIRCUIT STEEL POLE TANGENT, HORIZONTAL CONFIG.

STRUCTURE DETAILS				
STRUCTURE	TYPE	MATERIAL	A	B
1	ADL	STEEL	98	82
2	T	STEEL	79	64.6
3	T	STEEL	50.9	65.5

STRUCTURE DETAIL
SCALE: NTS

CABLE SCHEDULE						
WIRE	QTY OF CABLES	DESCRIPTION	DESIGN CONDITIONS			
			MAX DESIGN TENSION (lb)	TEMP (°F)	ICE (in)	WIND (psf)
CONDUCTOR	3	ACSR, 795 kcmil 36/1, COOT	5000	0	0.5	4
OPGW	1	48F 0.646 OPGW	4800	0	0.5	4
OPGW	1	144F 0.646 OPGW	4800	0	0.5	4

NESC VERTICAL CLEARANCE (FT)		FROM
TABLE 232.1, C2-2012		
NATURE OF SURFACE UNDERNEATH WIRES, CONDUCTORS OR CABLES		115KV
WATER AREAS NOT SUITABLE FOR SAIL BOATING OR WHERE SAIL BOATING IS PROHIBITED		18.6
OTHER AREAS TRAVERSED BY VEHICLES, SUCH AS CULTIVATED, GRAZING, FOREST, AND ORCHARD LANDS, INDUSTRIAL SITES, COMMERCIAL SITES, ETC		20.1

- NOTES:**
1. PARCEL INFORMATION PROVIDED BY NH GRANIT.
 2. ELEVATIONS REFERENCED TO THE NORTH AMERICAN VERTICAL DATUM OF 1988.
 3. 100 YEAR FLOOD ELEVATION FROM THE FEMA FLOOD MAP SERVICE CENTER, NATIONAL FLOOD HAZARD LAYER FIRMETTE, 01/16/2020.

EVERSOURCE ENERGY

J114, 115kV LINE
PUBLIC WATER & STATE LAND CROSSING LOCATION PLAN
GOFFSTOWN, NEW HAMPSHIRE
EXHIBIT 2

T	1
DRAWN	CTS
ENGINEER	CJN
CHECKED	CJT
APPROVED	CJN
DATE	11/4/2022

SCALE AS SHOWN FILE: 04039-81001.DWG DRAWING NO. 04039-81001

DWG REV	ISSUED TO	EPN/DESCRIPTION	CONT/PE#	DATE	DRN	CHKD	APPR
1	DOE			11/4/22	CTS	CJT	CJN