



LEGEND:

- C189 LINE:
- C189 STR:



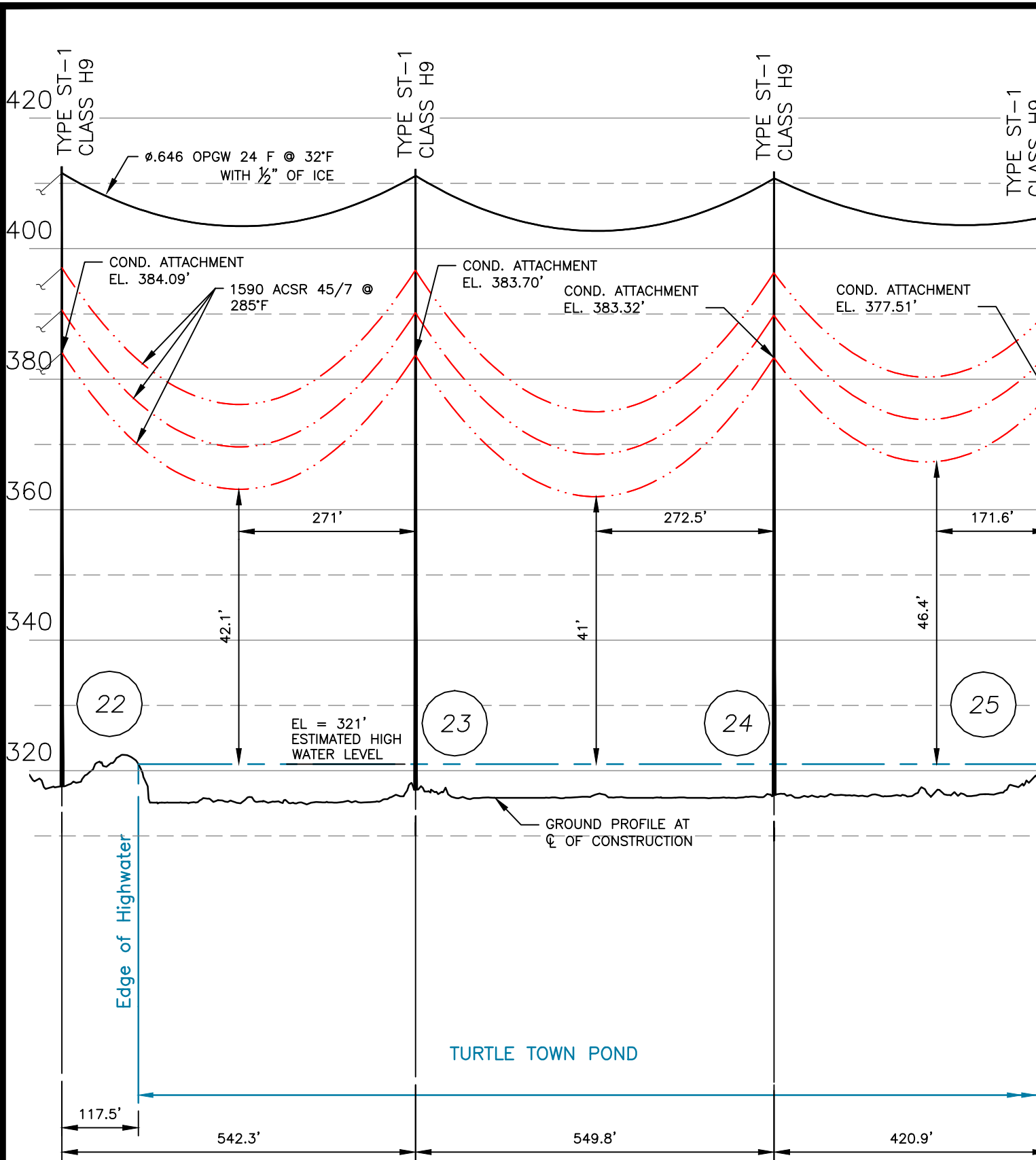
C189, 115kV LINE
PUBLIC WATER CROSSING
CONCORD, NEW HAMPSHIRE
EXHIBIT 1

T	1
DRAWN NEB	
ENGINEER CRP	
CHECKED JJD	
APPROVED CRP	
DATE 03/09/22	

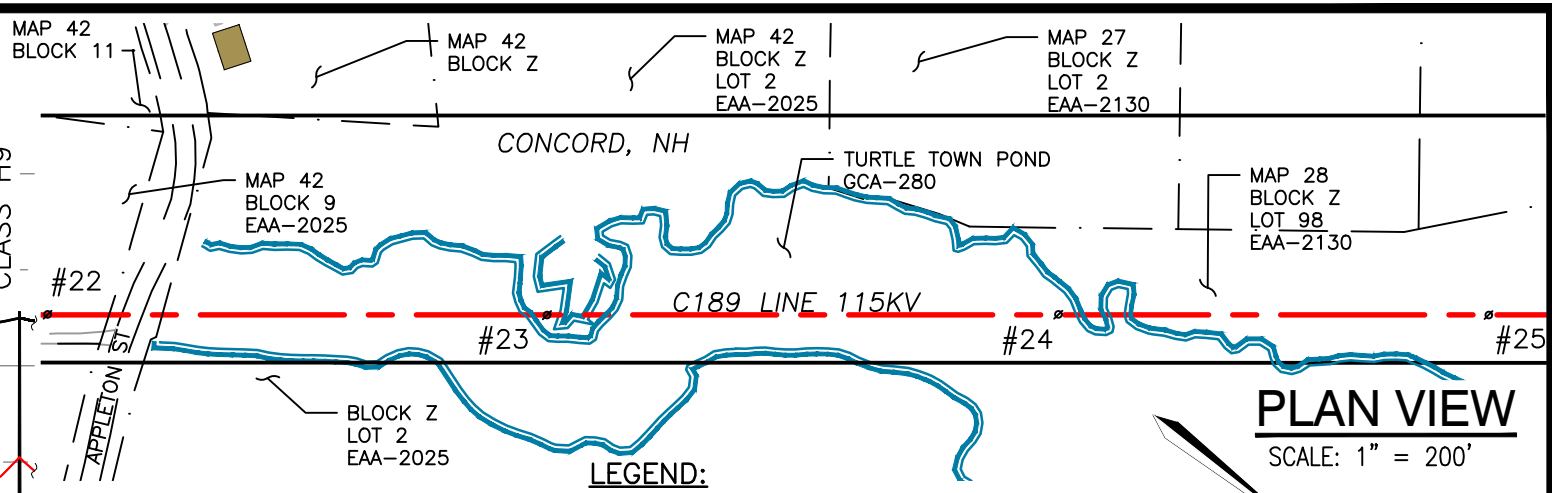
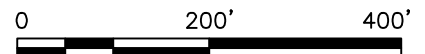
DWG REV	EPN/DESCRIPTION	CONT/PE#	DATE	DRN	CHKD	APPR
1	ISSUE FOR DOE		1/4/23	NEB	JJD	APS

SCALE 1" = 1500'	FILE: C18943900.DWG IMAGE:	DRAWING NO. C18943900
---------------------	-------------------------------	--------------------------

1/5/2023 3:05 PM - JoshD - N:\Active Projects\02497_ES_TL_Engineering_and_Drafting\06-D...C18943900.dwg - EXHIBIT 2 (WATER CROSSING) ES VER: 12/2016



PROFILE VIEW
SCALE: HORZ 1" = 200'
VERT 1" = 20'

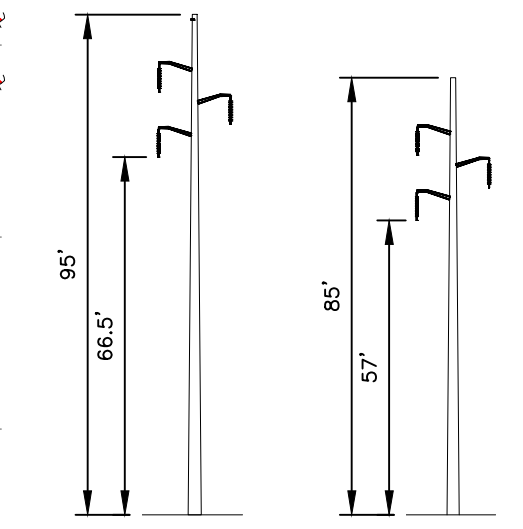


PLAN VIEW
SCALE: 1" = 200'

LEGEND:

- #24 STRUCTURE
- PROPERTY BOUNDARY
- C189 LINE 115KV LINE, ϕ OF CONSTRUCTION
- LIMITS OF EVERSOURCE RIGHT OF WAY
- ROAD, PAVED
- WATER

STRUCTURE LOCATION		
STRUCTURE	LONGITUDE	LATITUDE
22	-71.51494856	43.24736194
23	-71.51620784	43.24853068
24	-71.51748695	43.24971422
25	-71.51846380	43.25062169



STRUCTURE DETAIL
SCALE: NTS

STRUCTURES 22, 23 & 24 TYPE ST-1
STRS 22, 23, & 24: ARE A EVERSOURCE TYPE ST-1, SINGLE STEEL POLE TANGENT DELTA CONFIG., GUYED.

STRUCTURE 25 TYPE ST-1
STR 25: IS AN EVERSOURCE TYPE ST-1, SINGLE STEEL POLE TANGENT DELTA CONFIG., GUYED.

NESV VERTICAL CLEARANCE (FT)		FROM
TABLE 232.1, C2-2012		
NATURE OF SURFACE UNDERNEATH WIRES, CONDUCTORS OR CABLES		115kV
WATER AREAS SUITABLE FOR SAIL BOATING INCLUDING LAKES, PONDS, RESERVOIRS, TIDAL WATERS, RIVERS, STREAMS, AND CANALS WITH AN UNUPSTRUCTED SURFACE AREA OF OVER 20 TO 200 ACRES		30.1

CABLE SCHEDULE						
WIRE	QTY OF CABLES	DESCRIPTION	DESIGN CONDITIONS			
			MAX DESIGN TENSION (lb)	TEMP (°F)	ICE (in)	WIND (psf)
CONDUCTOR	3	ACSR, 1590 kcmil 45/7, LAPWING	15000	0	0.5	4
SHIELD WIRE	1	BRUGG 24 FIBER 93AY68ACS-1C	5000	0	0.5	4

NOTES:

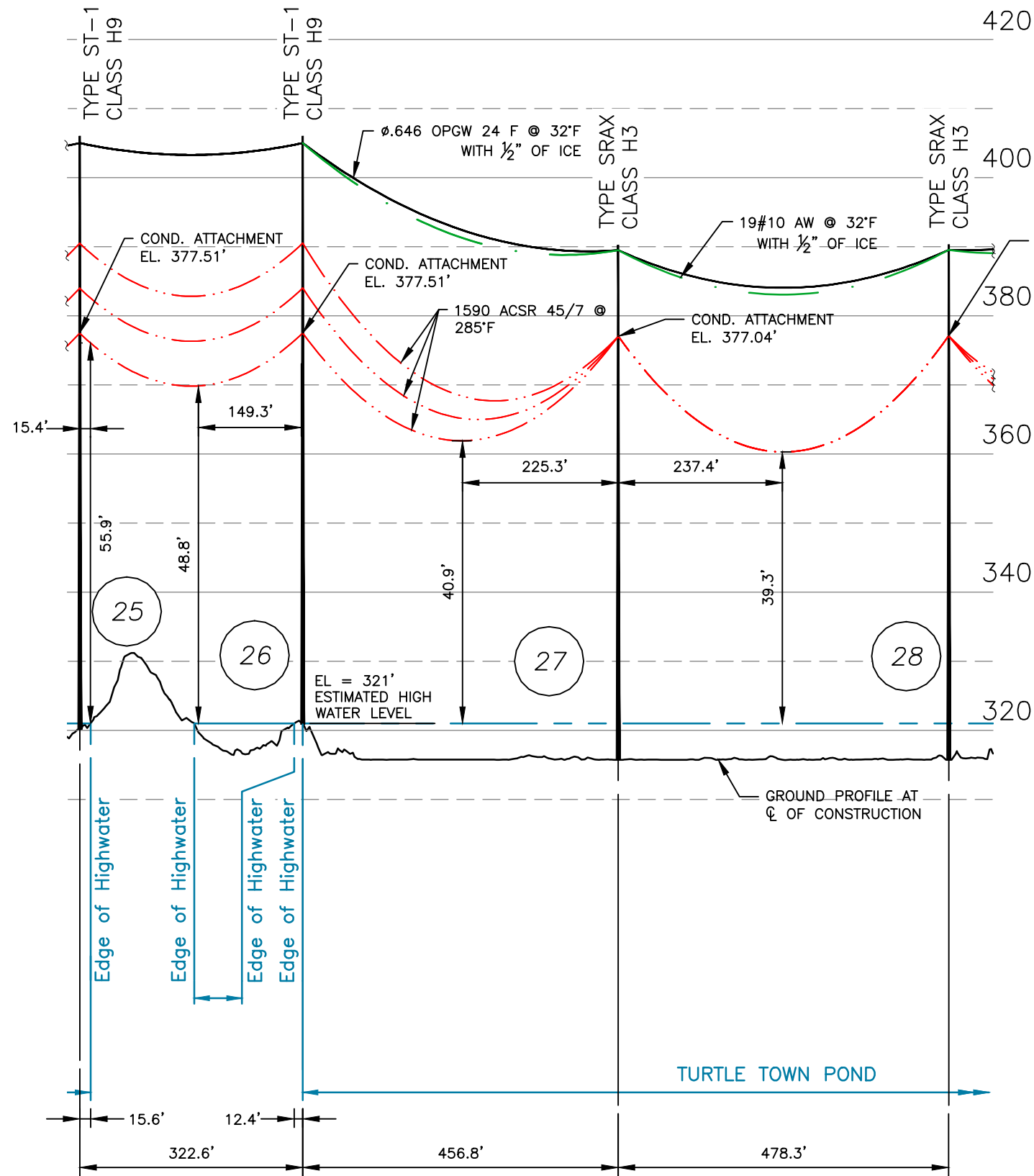
- PARCEL INFORMATION PROVIDED BY NH GRANIT.
- ELEVATIONS REFERENCED TO THE NORTH AMERICAN VERTICAL DATUM OF 1988.
- FEMA FLOOD INSURANCE MAPS DO NOT EXIST FOR TURTLE TOWN POND. A WATER ELEVATION ANALYSIS DETERMINED THAT EL. 321' IS A CONSERVATIVE FLOOD ELEVATION OF TURTLE TOWN POND TO ESTABLISH SAFE CLEARANCE MEASUREMENTS. TURTLE TOWN POND EL. 321' WAS USED IN 2008 UNDER DE 08-054 (ORDER # 24,859) AND WILL BE UTILIZED FOR THE C189 CROSSING OVER TURTLE TOWN POND.

EVERSOURCE ENERGY

C189, 115kV LINE
TURTLE TOWN POND, PUBLIC WATER CROSSING
CONCORD, NEW HAMPSHIRE
EXHIBIT 2

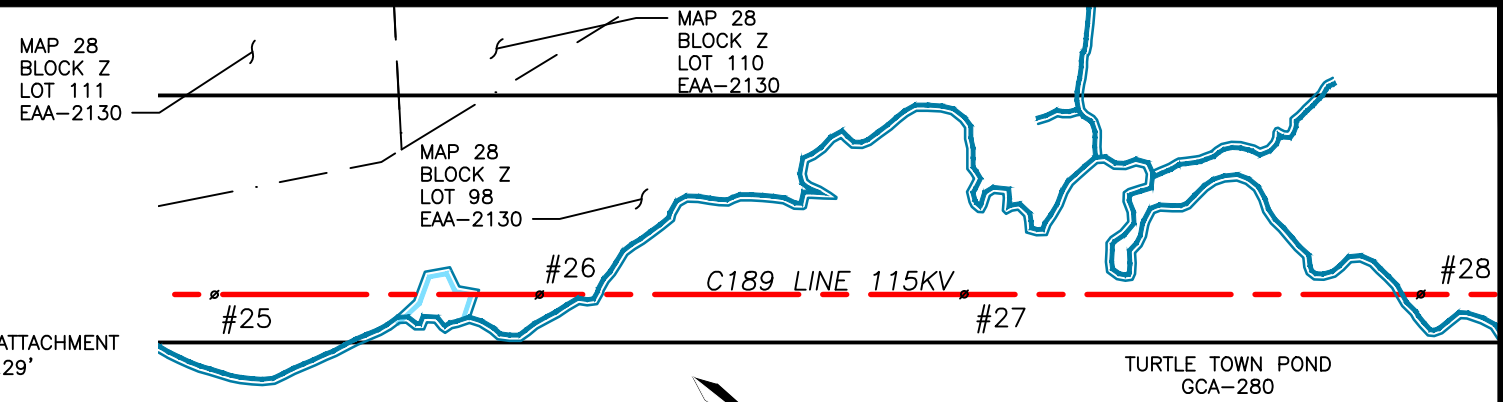
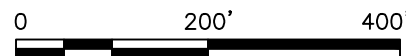
T	1
DRAWN	NEB
ENGINEER	CRP
CHECKED	JJD
APPROVED	CRP
DATE	03/09/22

DWG REV	ISSUE FOR DOE	EPN/DESCRIPTION	CONT/PE#	DATE	DRN	NEB	JJD	APS
1				1/4/23				



PROFILE VIEW

SCALE: HORZ 1" = 200'
VERT 1" = 20'

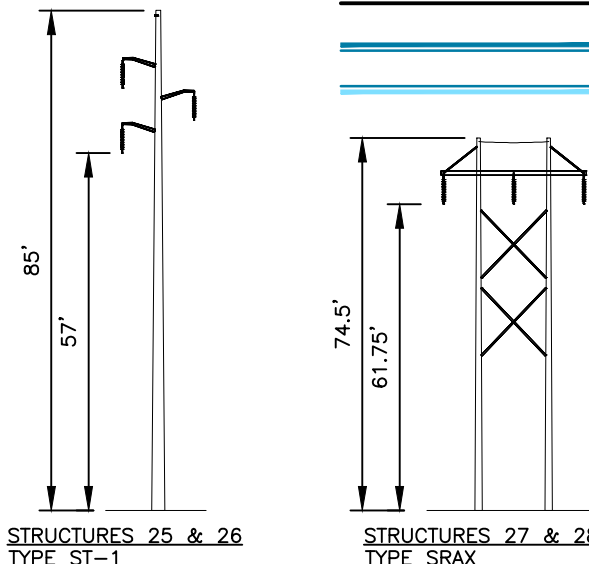


PLAN VIEW

SCALE: 1" = 200'

LEGEND:

- #26 STRUCTURE
- PROPERTY BOUNDARY
- C189 LINE 115KV LINE, C OF CONSTRUCTION
- LIMITS OF EVERSOURCE RIGHT OF WAY
- WATER
- WETLAND



STRUCTURE DETAIL
SCALE: NTS

STR 25 & 26: IS AN EVERSOURCE TYPE ST-1, SINGLE STEEL POLE TANGENT DELTA CONFIG., GUYED.

STR 27 & 28: ARE EVERSOURCE TYPE SRAX, SINGLE CIRCUIT STEEL POLE TANGENT, HORIZONTAL CONFIG.

NOTES:

- PARCEL INFORMATION PROVIDED BY NH GRANIT.
- ELEVATIONS REFERENCED TO THE NORTH AMERICAN VERTICAL DATUM OF 1988.
- FEMA FLOOD INSURANCE MAPS DO NOT EXIST FOR TURTLE TOWN POND. A WATER ELEVATION ANALYSIS DETERMINED THAT EL. 321' IS A CONSERVATIVE FLOOD ELEVATION OF TURTLE TOWN POND TO ESTABLISH SAFE CLEARANCE MEASUREMENTS. TURTLE TOWN POND EL. 321' WAS USED IN 2008 UNDER DE 08-054 (ORDER # 24,859) AND WILL BE UTILIZED FOR THE C189 CROSSING OVER TURTLE TOWN POND.

STRUCTURE LOCATION		
STRUCTURE	LONGITUDE	LATITUDE
25	-71.51846380	43.25062169
26	-71.51921586	43.25131547
27	-71.52027271	43.25230219
28	-71.52138367	43.25333287

NESV VERTICAL CLEARANCE (FT)		FROM TABLE
232.1, C2-2012		
NATURE OF SURFACE UNDERNEATH WIRES, CONDUCTORS OR CABLES		115KV
WATER AREAS SUITABLE FOR SAIL BOATING INCLUDING LAKES, PONDS, RESERVOIRS, TIDAL WATERS, RIVERS, STREAMS, AND CANALS WITH AN UNUPSTRUCTED SURFACE AREA OFOVER 20 TO 200 ACRES		30.1

CABLE SCHEDULE						
WIRE	QTY OF CABLES	DESCRIPTION	DESIGN CONDITIONS			
			MAX DESIGN TENSION (lb)	TEMP (°F)	ICE (in)	WIND (psf)
CONDUCTOR	3	ACSR, 1590 kcmil 45/7, LAPWING	15000	0	0.5	4
SHIELD WIRE	1	19 No. 10 AW	4250	0	0.5	4
SHIELD WIRE	1	BRUGG 24 FIBER 93AY68ACS-1C	5000	0	0.5	4

EVERSOURCE ENERGY

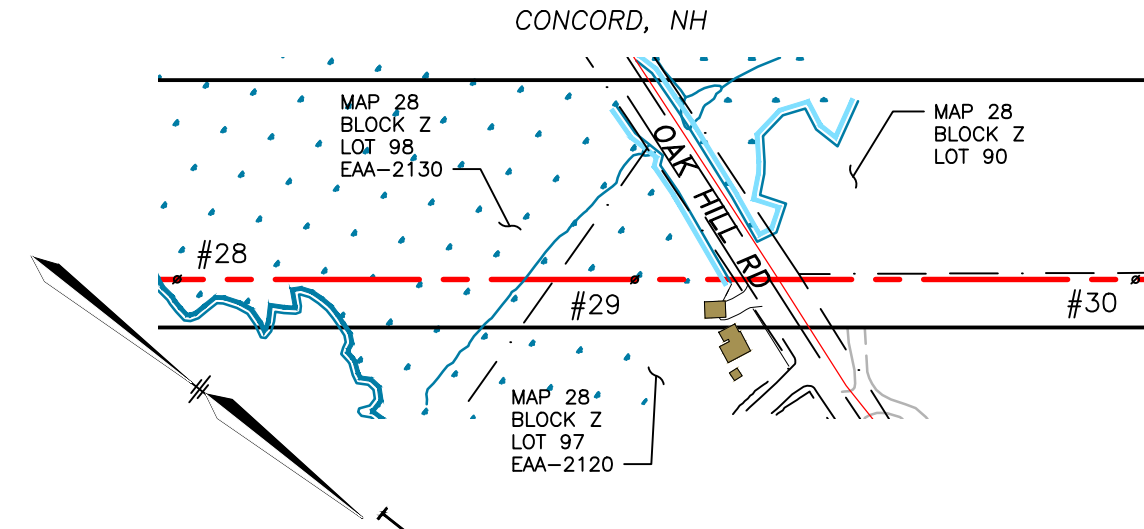
C189, 115kV LINE
TURTLE TOWN POND, PUBLIC WATER CROSSING
CONCORD, NEW HAMPSHIRE
EXHIBIT 3

DRAWN NEB	T 1
ENGINEER CRP	
CHECKED JJD	
APPROVED CRP	
DATE 03/09/22	

DWG REV	ISSUE FOR DOE	EPN/DESCRIPTION	CONT/PE#	DATE	DRN	CHKD	APPR
1	ISSUE FOR DOE			1/4/23	NEB	JJD	APS

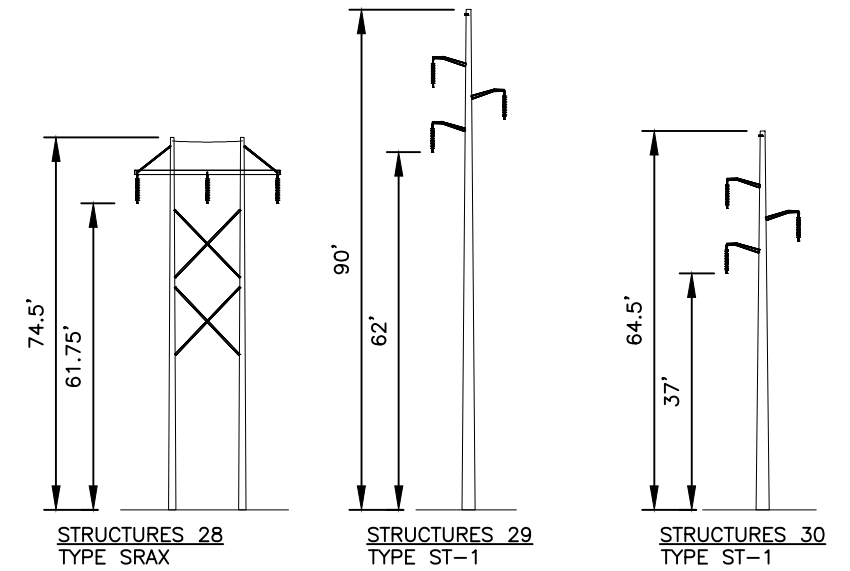
LEGEND:

- #28 STRUCTURE
- PROPERTY BOUNDARY
- C189 LINE 115KV LINE, ϕ OF CONSTRUCTION
- LIMITS OF EVERSOURCE RIGHT OF WAY
- ROAD, PAVED
- WATER
- WETLAND



PLAN VIEW

SCALE: 1" = 200'



STRUCTURES 28
TYPE SRAX
STR 28: ARE EVERSOURCE TYPE SRAX, SINGLE CIRCUIT STEEL POLE TANGENT, HORIZONTAL CONFIG.

STRUCTURES 29
TYPE ST-1
STR 29 & 30: IS AN EVERSOURCE TYPE ST-1, SINGLE STEEL POLE TANGENT DELTA CONFIG., GUYED.

STRUCTURES 30
TYPE ST-1
STR 30: IS AN EVERSOURCE TYPE ST-1, SINGLE STEEL POLE TANGENT DELTA CONFIG., GUYED.

STRUCTURE DETAIL

SCALE: NTS

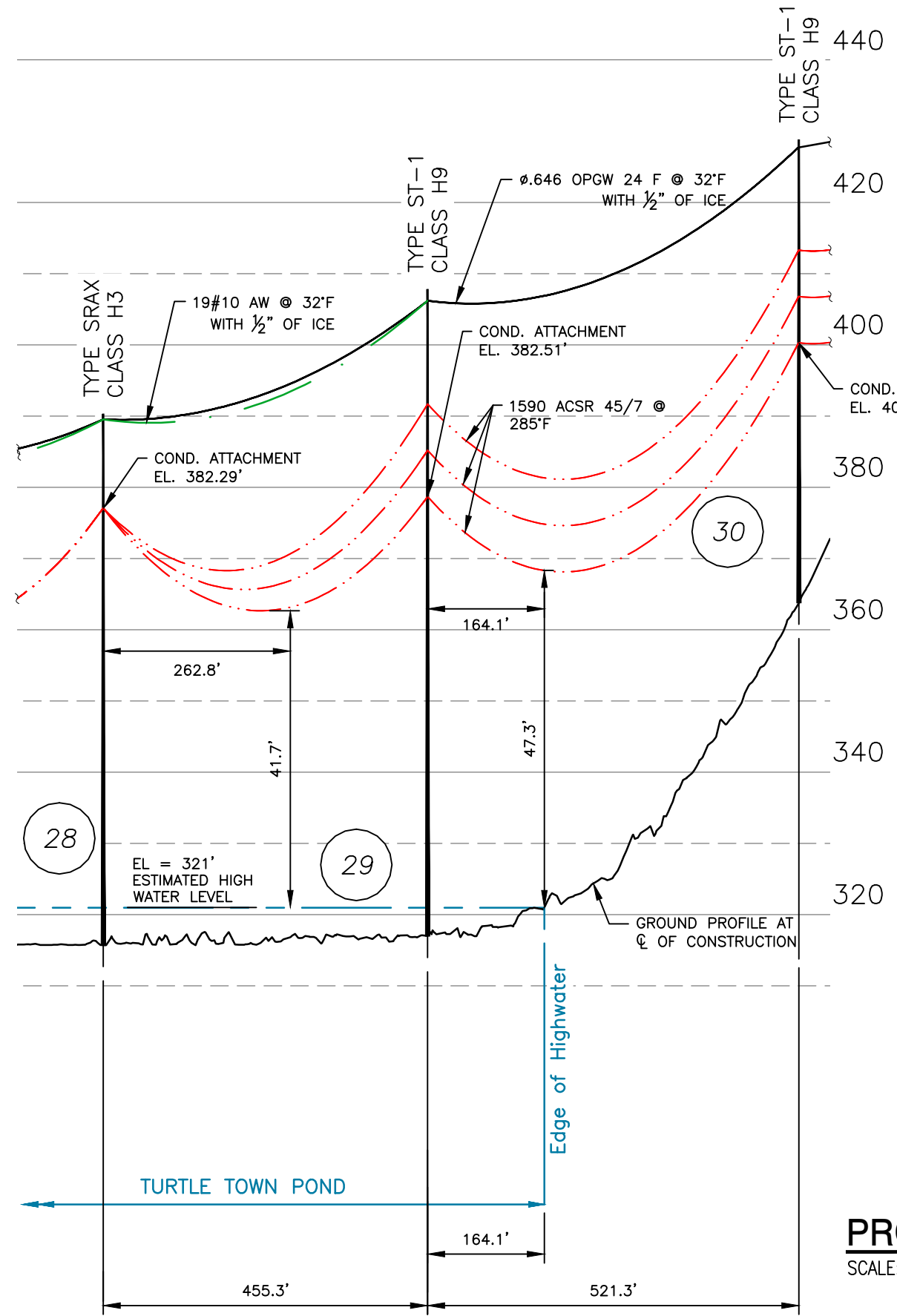
NOTES:

- PARCEL INFORMATION PROVIDED BY NH GRANIT.
- ELEVATIONS REFERENCED TO THE NORTH AMERICAN VERTICAL DATUM OF 1988.
- FEMA FLOOD INSURANCE MAPS DO NOT EXIST FOR TURTLE TOWN POND. A WATER ELEVATION ANALYSIS DETERMINED THAT EL. 321' IS A CONSERVATIVE FLOOD ELEVATION OF TURTLE TOWN POND TO ESTABLISH SAFE CLEARANCE MEASUREMENTS. TURTLE TOWN POND EL. 321' WAS USED IN 2008 UNDER DE 08-054 (ORDER # 24,859) AND WILL BE UTILIZED FOR THE C189 CROSSING OVER TURTLE TOWN POND.

STRUCTURE LOCATION		
STRUCTURE	LONGITUDE	LATITUDE
28	-71.52138367	43.25333287
29	-71.52244300	43.25431295
30	-71.52365378	43.25543635

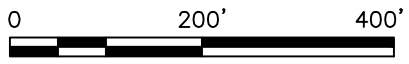
NESC VERTICAL CLEARANCE (FT) FROM TABLE 232.1, C2-2012	
NATURE OF SURFACE UNDERNEATH WIRES, CONDUCTORS OR CABLES	115kV
WATER AREAS SUITABLE FOR SAIL BOATING INCLUDING LAKES, PONDS, RESERVOIRS, TIDAL WATERS, RIVERS, STREAMS, AND CANALS WITH AN UNUPSTRUCTURED SURFACE AREA OF OVER 20 TO 200 ACRES	30.1

CABLE SCHEDULE						
WIRE	QTY OF CABLES	DESCRIPTION	DESIGN CONDITIONS			
			MAX DESIGN TENSION (lb)	TEMP (°F)	ICE (in)	WIND (psf)
CONDUCTOR	3	ACSR, 1590 kcmil 45/7, LAPWING	15000	0	0.5	4
SHIELD WIRE	1	19 No. 10 AW	4250	0	0.5	4
SHIELD WIRE	1	BRUGG 24 FIBER 93AY68ACS-1C	5000	0	0.5	4



PROFILE VIEW

SCALE: HORZ 1" = 200'
VERT 1" = 20'



EVERSOURCE ENERGY

C189, 115kV LINE
TURTLE TOWN POND, PUBLIC WATER CROSSING
CONCORD, NEW HAMPSHIRE
EXHIBIT 4

DRAWN NEB	T 1
ENGINEER CRP	
CHECKED JJD	
APPROVED CRP	
DATE 03/09/22	

DWG REV	ISSUE FOR DOE EPN/DESCRIPTION	CONT/PE#	DATE	DRN	CHKD	APPR	SCALE AS SHOWN	FILE: C18943900.DWG IMAGE:	DRAWING NO. C18943900
---------	----------------------------------	----------	------	-----	------	------	-------------------	-------------------------------	--------------------------