

LOCATION PLAN

LEGEND:

343 LINE - - - - -
 EXISTING 343 STR 9 10

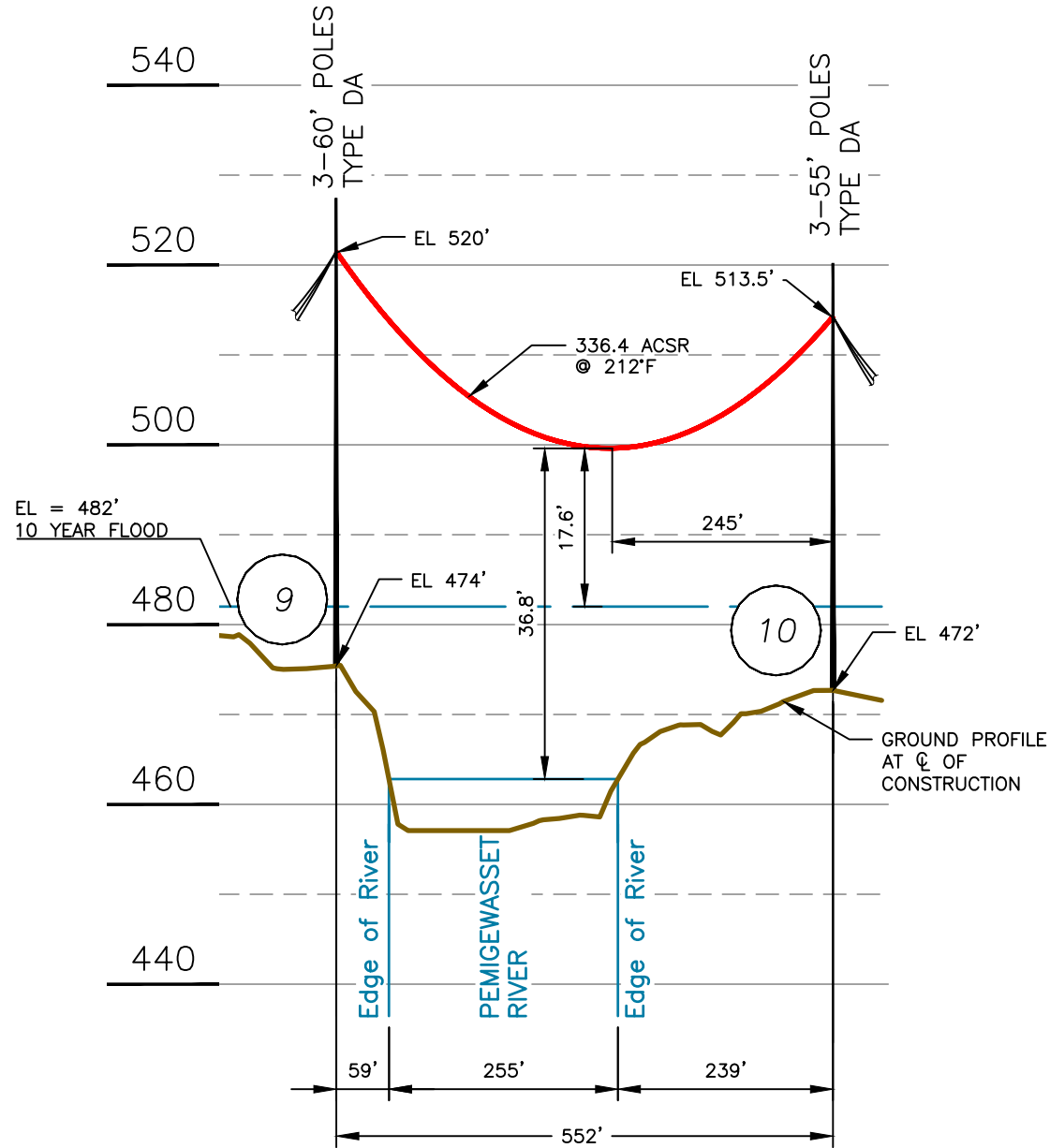
1	ISSUED TO DOE	LEIDOS	04/10/23	GEB	DWW	APS
DWG REV	EPN/DESCRIPTION	CONT/PE#	DATE	DRN	CHKD	APPR

EVERSOURCE ENERGY

343 LINE 34.5kV
 PUBLIC WATER CROSSING
 HOLDERNESS - PLYMOUTH, NH
 EXHIBIT #1

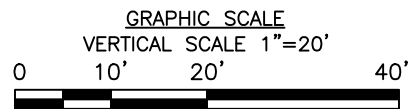
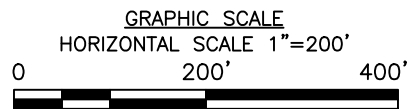
T	1
DRAWN GEB	
ENGINEER JVB	
CHECKED DWW	
APPROVED APS	
DATE 04/10/23	

SCALE 1" = 1500'	FILE: 034343501.DWG IMAGE:	DRAWING NO. 034343501
---------------------	-------------------------------	--------------------------

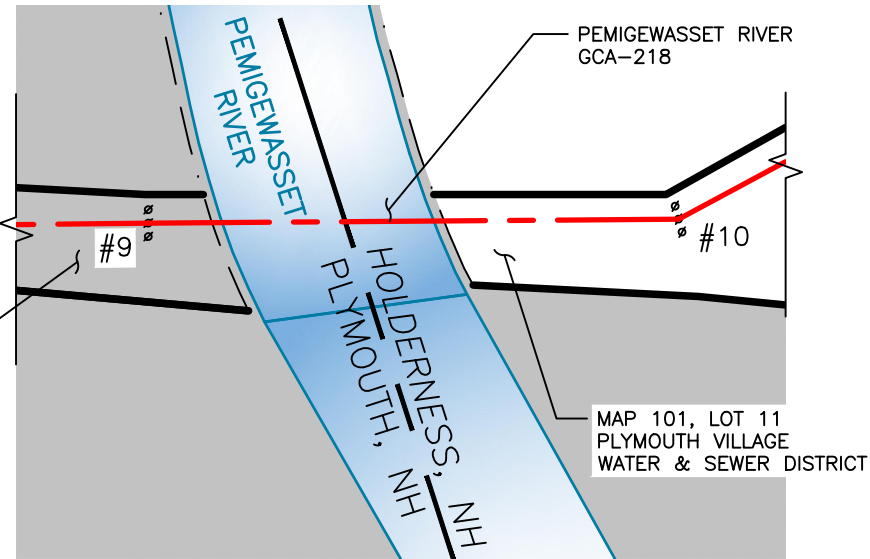


PROFILE VIEW

SCALE: HORIZONTAL 1"=200'
VERTICAL 1"=20'



MAP 225, LOT 46
PLYMOUTH STATE UNIVERSITY
EAA-11617
EAA-11618



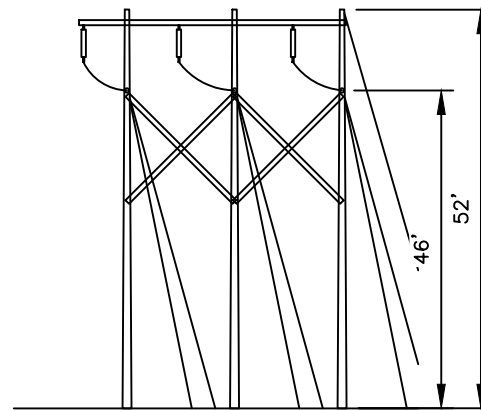
PLAN VIEW

SCALE: 1"=200'

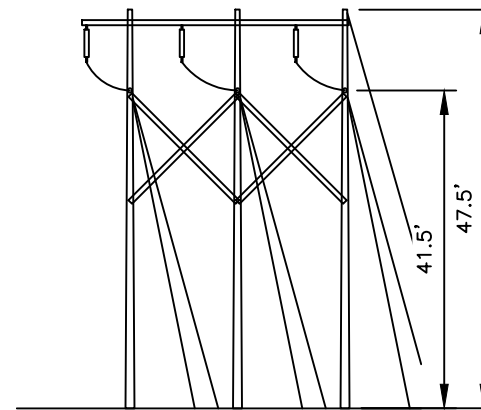
PLAN LEGEND:

- STRUCTURE
- LINE 343
- PARCEL LINE
- RIVER
- STATE LAND

STRUCTURE LOCATION		
STRUCTURE	LONGITUDE	LATITUDE
9	-71.681256	43.765312
10	-71.682175	43.766674



STRUCTURE 9
TYPE STEEL DA
STR 9: IS AN EVERSOURCE TYPE DA, SINGLE CIRCUIT 3-POLE DEADEND.



STRUCTURE 10
TYPE STEEL DA
STR 10: IS AN EVERSOURCE TYPE DA, SINGLE CIRCUIT 3-POLE DEADEND.

STRUCTURE DETAIL

SCALE: NTS

NESC VERTICAL CLEARANCE (FT) FROM TABLE 232.1	
NATURE OF SURFACE UNDERNEATH WIRES, CONDUCTORS OR CABLES	34.5kV
WATER AREAS NOT SUITABLE FOR SAIL BOATING OR WHERE SAIL BOATING IS PROHIBITED	17.0

CABLE SCHEDULE						
WIRE	QTY OF CABLES	DESCRIPTION	DESIGN CONDITIONS			
			MAX DESIGN TENSION (LB)	TEMP (°F)	ICE (IN)	WIND (PSF)
DISTRIBUTION COND.	3	336.4 KCMIL ACSR 26/7 LINNET	4,500	0	0.5	4

NOTES:

- PARCEL INFORMATION PROVIDED BY NH GRANIT.
- ELEVATIONS REFERENCED TO THE NORTH AMERICAN VERTICAL DATUM OF 1988.
- 10 YEAR FLOOD ELEVATION FROM THE FEMA FLOOD MAP INSURANCE STUDY NUMBER 33009CV002A, FEBRUARY 20, 2008.

1	ISSUED TO DOE	LEIDOS	04/10/23	GEB	DWW	APS
DWG REV	EPN/DESCRIPTION	CONT/PE#	DATE	DRN	CHKD	APPR

EVERSOURCE ENERGY

343 LINE 34.5kV
PEMIGEWASSET RIVER WATER CROSSING
HOLDERNESS - PLYMOUTH, NH
EXHIBIT #2

SCALE AS SHOWN	FILE: 034343501.DWG IMAGE:	DRAWING NO. 034343501
-------------------	-------------------------------	---------------------------------

T	1
DRAWN GEB	ENGINEER JVB
CHECKED DWW	APPROVED APS
DATE 04/10/23	