



LEGEND:

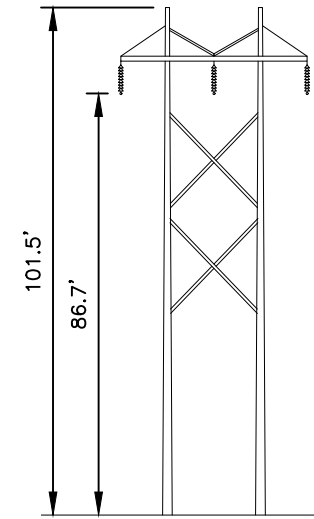
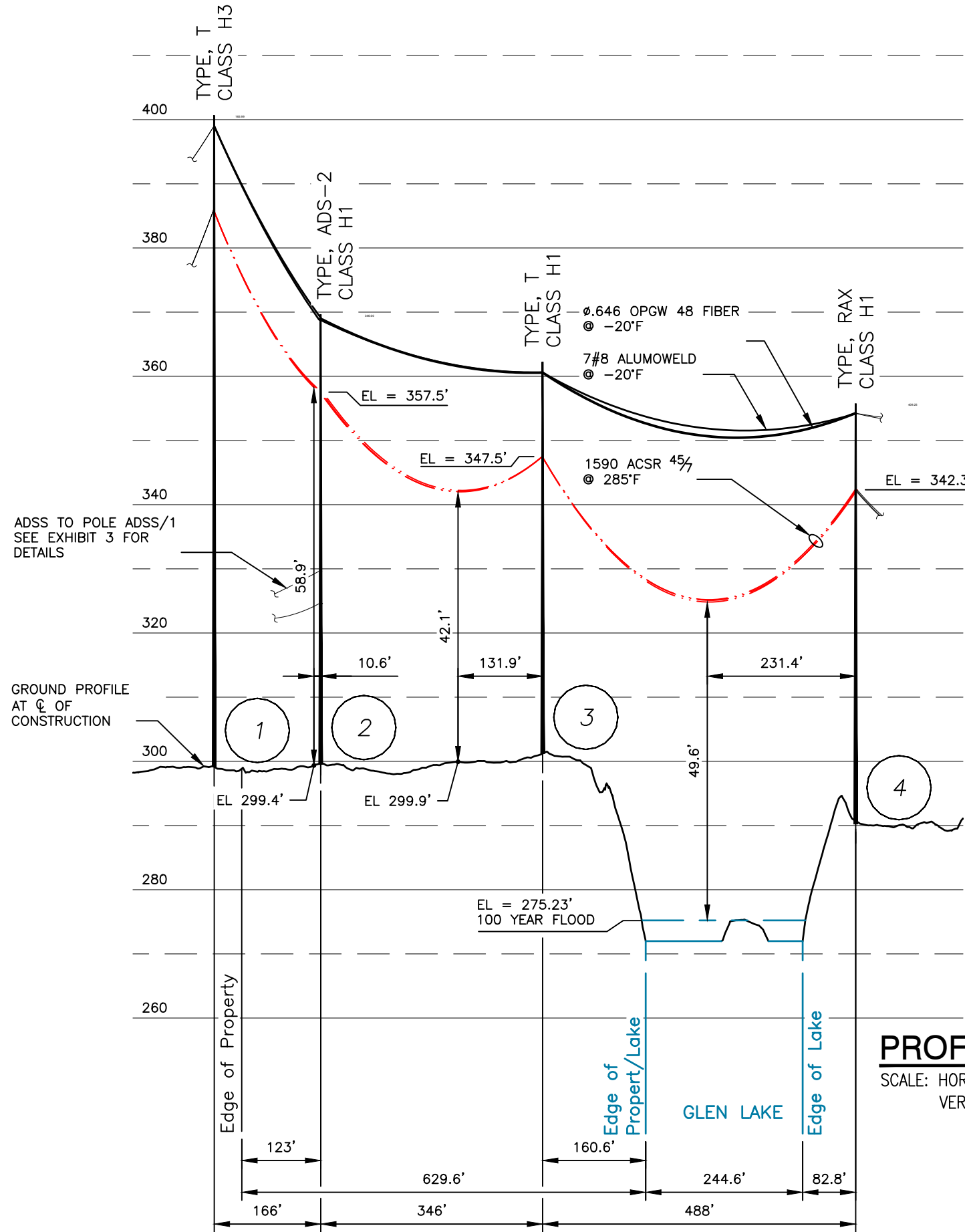
F162 LINE: 
 F162 STR: 

DWG REV	EPN/DESCRIPTION	CONT/PE#	DATE	DRN	CHKD	APPR
1	ISSUED TO NHDOE		07/22	GBS	CJN	CJN

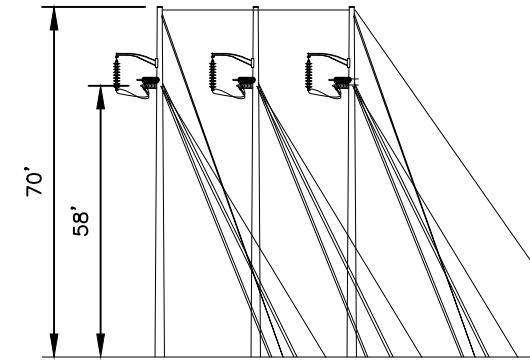
**EVERSOURCE
ENERGY**

F162 115kV LINE
 STATE LAND AND PUBLIC WATERBODY CROSSING, LOCATION PLAN
 GOFFSTOWN, NEW HAMPSHIRE
 EXHIBIT 1

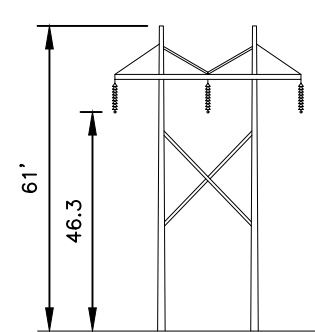
T	1
DRAWN GBS	
ENGINEER CJN	
CHECKED CJN	
APPROVED CJN	
DATE 06/29/22	



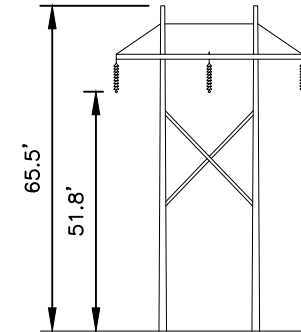
STR 1: IS A EVERSOURCE TYPE T, SINGLE CIRCUIT STEEL POLE TANGENT, HORIZONTAL CONFIG



STR 2: IS A EVERSOURCE TYPE ADS-2, SINGLE CIRCUIT STEEL POLE DEAD END ANGLE, HORIZONTAL CONFIG



STR 3: IS A EVERSOURCE TYPE T, SINGLE CIRCUIT STEEL POLE TANGENT, HORIZONTAL CONFIG



STR 4: IS A EVERSOURCE TYPE RAX, SINGLE CIRCUIT WOOD POLE TANGENT, HORIZONTAL CONFIG

STRUCTURE DETAILS

SCALE: NTS

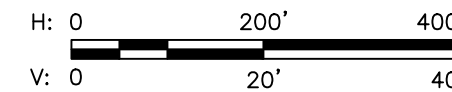
NESC VERTICAL CLEARANCE (FT) FROM TABLE 232.1	
NATURE OF SURFACE UNDERNEATH WIRES, CONDUCTORS OR CABLES	115 kV
OTHER AREAS TRAVERSED BY VEHICLES, SUCH AS CULTIVATED, GRAZING, FOREST, AND ORCHARD LANDS, INDUSTRIAL SITES, COMMERCIAL SITES, ETC	20.1
WATER AREAS SUITABLE FOR SAIL BOATING INCLUDING LAKES, PONDS, RESERVOIRS, TIDAL WATERS, RIVERS, STREAMS, AND CANALS WITH AN UNUPSTRUCTED SURFACE AREA OF OVER 20 TO 200 ACRES	30.1

NOTES:

1. PARCEL INFORMATION PROVIDED BY NH GRANIT.
2. ELEVATIONS REFERENCED TO THE NORTH AMERICAN VERTICAL DATUM OF 1988.
3. 100 YEAR FLOOD ELEVATION FROM THE FEMA FLOOD MAP SERVICE CENTER, NATIONAL FLOOD HAZARD LAYER FIRMETTE, 05/17/2022.

PROFILE VIEW

SCALE: HORZ 1" = 200'
VERT 1" = 20'



DWG REV	ISSUED TO NHDOE	EPN/DESCRIPTION	CONT/PE#	DATE	DRN	GBS	CJN	CJN
1				07/22				

EVERSOURCE ENERGY

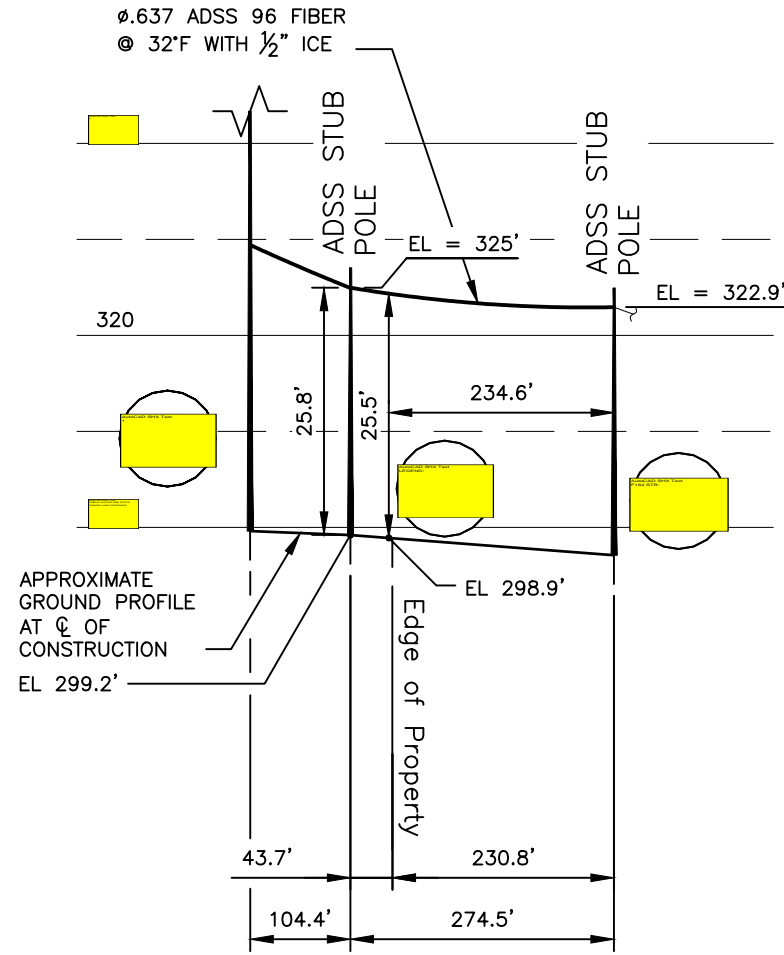
F162, 115kV LINE
GLEN LAKE, PUBLIC WATER AND STATE OWNED LAND CROSSING
GOFFSTOWN, NEW HAMPSHIRE
EXHIBIT 2

T	1
DRAWN	GBS
ENGINEER	CJN
CHECKED	CJN
APPROVED	CJN
DATE	06/29/22

SCALE	AS SHOWN
-------	----------

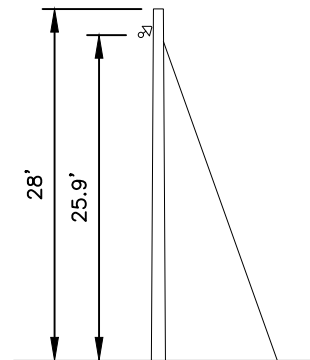
FILE: 04028-81001.DWG	IMAGE:
-----------------------	--------

DRAWING NO.	04028-81001
-------------	-------------



PROFILE VIEW

SCALE: HORZ 1" = 200'
VERT 1" = 20'



STR 1 AND 2: ARE A, SINGLE ADSS WIRE ON A WOOD POLE, RUNNING ANGLE WITH SINGLE GUY

STRUCTURE DETAILS

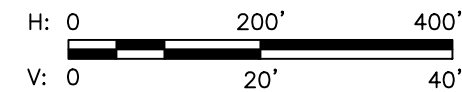
SCALE: NTS

NESC VERTICAL CLEARANCE (FT) FROM TABLE 232.1	
NATURE OF SURFACE UNDERNEATH WIRES, CONDUCTORS OR CABLES	COMMUNICATION CABLE
OTHER AREAS TRAVERSED BY VEHICLES, SUCH AS CULTIVATED, GRAZING, FOREST, AND ORCHARD LANDS, INDUSTRIAL SITES, COMMERCIAL SITES, ETC	15.5

CABLE SCHEDULE						
WIRE	QTY OF CABLES	DESCRIPTION	DESIGN CONDITIONS			
			MAX DESIGN TENSION (lb)	TEMP (°F)	ICE (in)	WIND (psf)
CONDUCTOR	3	ACSR, 1590 kcmil 45/7, LAPWING	11400	0	0.5	4
STATIC	1	7 No. 8 AW	4200	0	0.5	4
OPGW	1	48F ø0.646	6000	0	0.5	4
ADSS	1	96F ø0.637		0		4

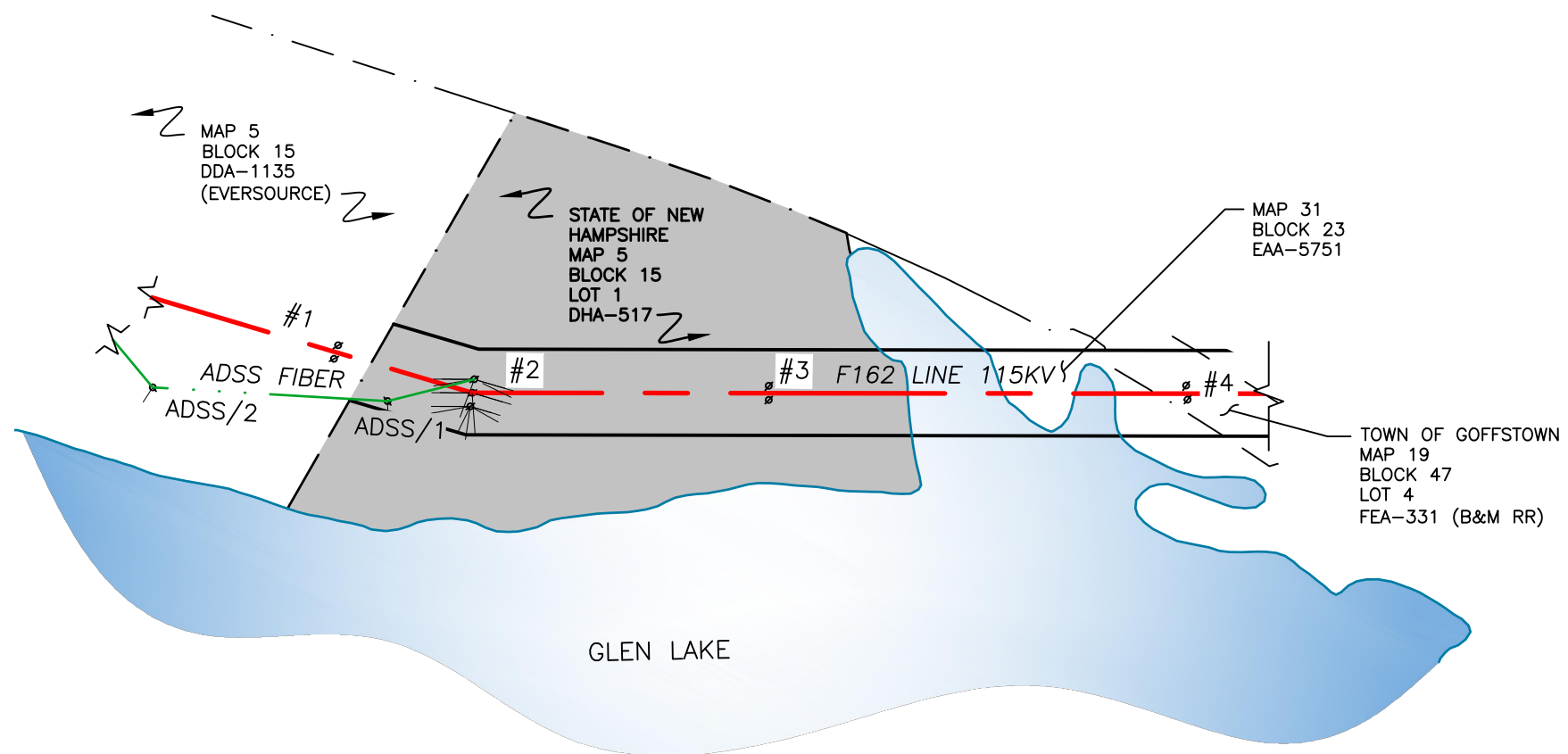
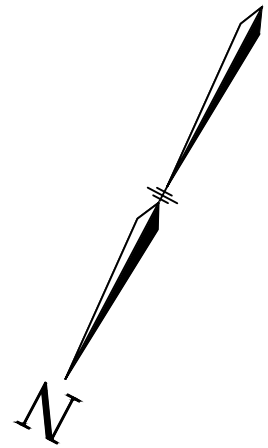
NOTES:

1. PARCEL INFORMATION PROVIDED BY NH GRANIT.
2. ELEVATIONS REFERENCED TO THE NORTH AMERICAN VERTICAL DATUM OF 1988.
3. 100 YEAR FLOOD ELEVATION FROM THE FEMA FLOOD MAP SERVICE CENTER, NATIONAL FLOOD HAZARD LAYER FIRMETTE, 05/17/2022.



EVERSOURCE ENERGY		T	1
		DRAWN	GBS
ADSS COMMUNICATION LINE FROM F162, 115kV LINE STATE OWNED LAND CROSSING GOFFSTOWN, NEW HAMPSHIRE EXHIBIT 3		ENGINEER	CJN
		CHECKED	CJN
SCALE AS SHOWN		APPROVED	CJN
		DATE	06/29/22
DRAWING NO. 04028-81001		FILE: 04028-81001.DWG	

DWG REV	EPN/DESCRIPTION	CONT/PE#	DATE	DRN	CHKD	APPR
1	ISSUED TO NHDOE		07/22	GBS	CJN	CJN



PLAN VIEW

SCALE: 1" = 200'

LEGEND:

- STRUCTURE
- PROPERTY BOUNDARY
- F162 LINE 115KV LINE, ϕ OF CONSTRUCTION
- ADSS LINE
- LIMITS OF EVERSOURCE RIGHT OF WAY
- WATERBODY



STRUCTURE LOCATION			
LINE	STRUCTURE	LONGITUDE	LATITUDE
F162	1	-71.57173325	43.01553532
	2	-71.57234200	43.01544662
	3	-71.57348691	43.01500457
	4	-71.57510013	43.01437897
ADSS	ADSS/1	-71.57203146	43.01559656
	ADSS/2	-71.57109728	43.01590856

NOTES:

1. PARCEL INFORMATION PROVIDED BY NH GRANIT.
2. ELEVATIONS REFERENCED TO THE NORTH AMERICAN VERTICAL DATUM OF 1988.
3. 100 YEAR FLOOD ELEVATION FROM THE FEMA FLOOD MAP SERVICE CENTER, NATIONAL FLOOD HAZARD LAYER FIRMETTE, 05/17/2022.

DWG REV	EPN/DESCRIPTION	CONT/PE#	DATE	DRN	CHKD	APPR
2	ADDED BLOCK 15, AND BLOCK 47 TO PROPERTY ID'S		08/22	GBS	CJN	CJN
1	ISSUED TO NHDOE		07/22	GBS	CJN	CJN

	T 2
	DRAWN GBS
	ENGINEER CJN
	CHECKED CJN
	APPROVED CJN
	DATE 06/29/22
F162, 115kV LINE GLEN LAKE, PUBLIC WATER AND STATE OWNED LAND CROSSING GOFFSTOWN, NEW HAMPSHIRE EXHIBIT 4	
SCALE 1:200	FILE: 04028-81001.DWG
	DRAWING NO. 04028-81001