

LEGEND:

- C196 LINE:
- C196 STR:

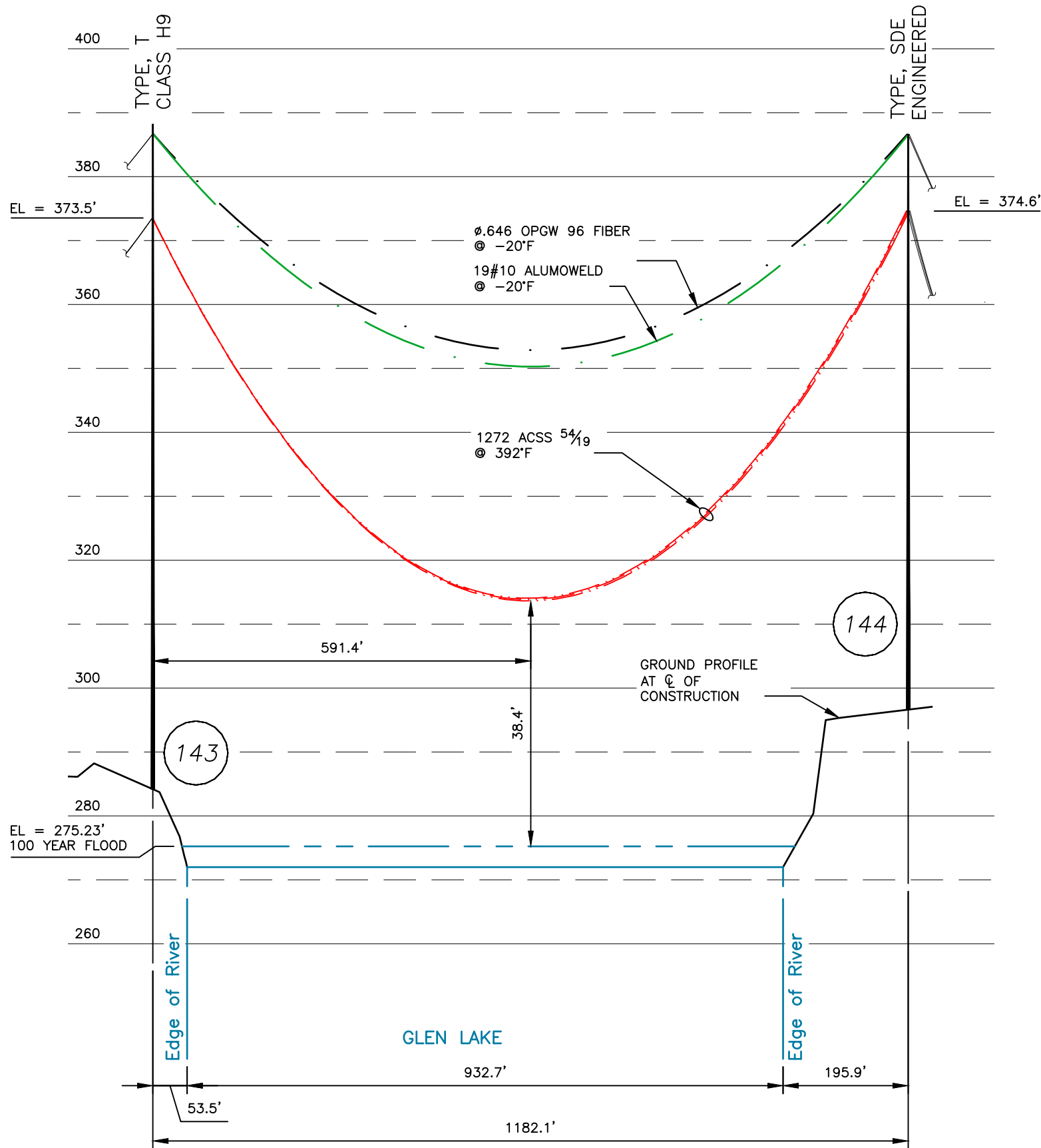
DWG REV	EPN/DESCRIPTION	CONT/PE#	DATE	DRN	CHKD	APPR
1	ISSUED TO NHDOE		07/22	GBS	CJN	CJN

EVERSOURCE ENERGY

C196 115kV LINE
PUBLIC WATERBODY CROSSING, LOCATION PLAN
GOFFSTOWN, NEW HAMPSHIRE
EXHIBIT 1

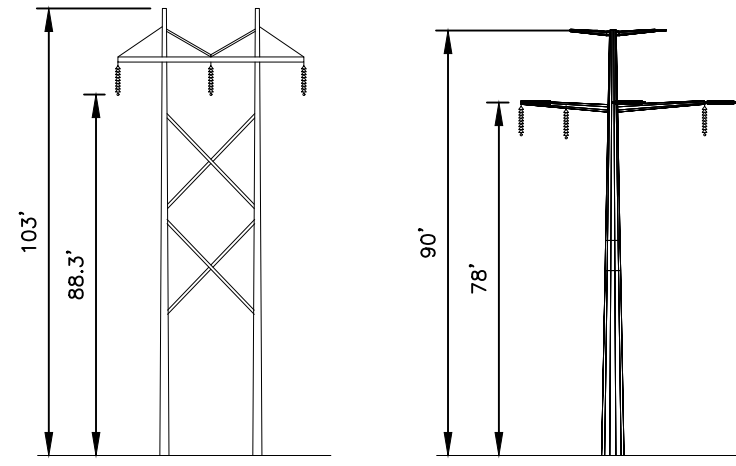
T	1
DRAWN GBS	
ENGINEER CJN	
CHECKED CJN	
APPROVED CJN	
DATE 05/17/22	

SCALE 1" = 2500'	FILE: 04018-81001.DWG IMAGE:	DRAWING NO. 04018-81001
---------------------	---------------------------------	----------------------------



PROFILE VIEW

SCALE: HORZ 1" = 200'
VERT 1" = 20'



STRUCTURE 143
TYPE T

STRUCTURE 144
TYPE SDE (ENGINEERED)

STR 143: IS A EVERSOURCE TYPE T, SINGLE CIRCUIT STEEL POLE TANGENT, HORIZONTAL CONFIG

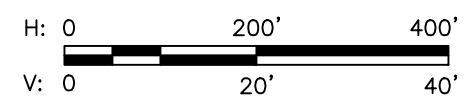
STR 144: IS A EVERSOURCE TYPE SDE (ENGINEERED), SINGLE CIRCUIT STEEL POLE DEAD END ANGLE, HORIZONTAL CONFIG

STRUCTURE DETAIL

SCALE: NTS

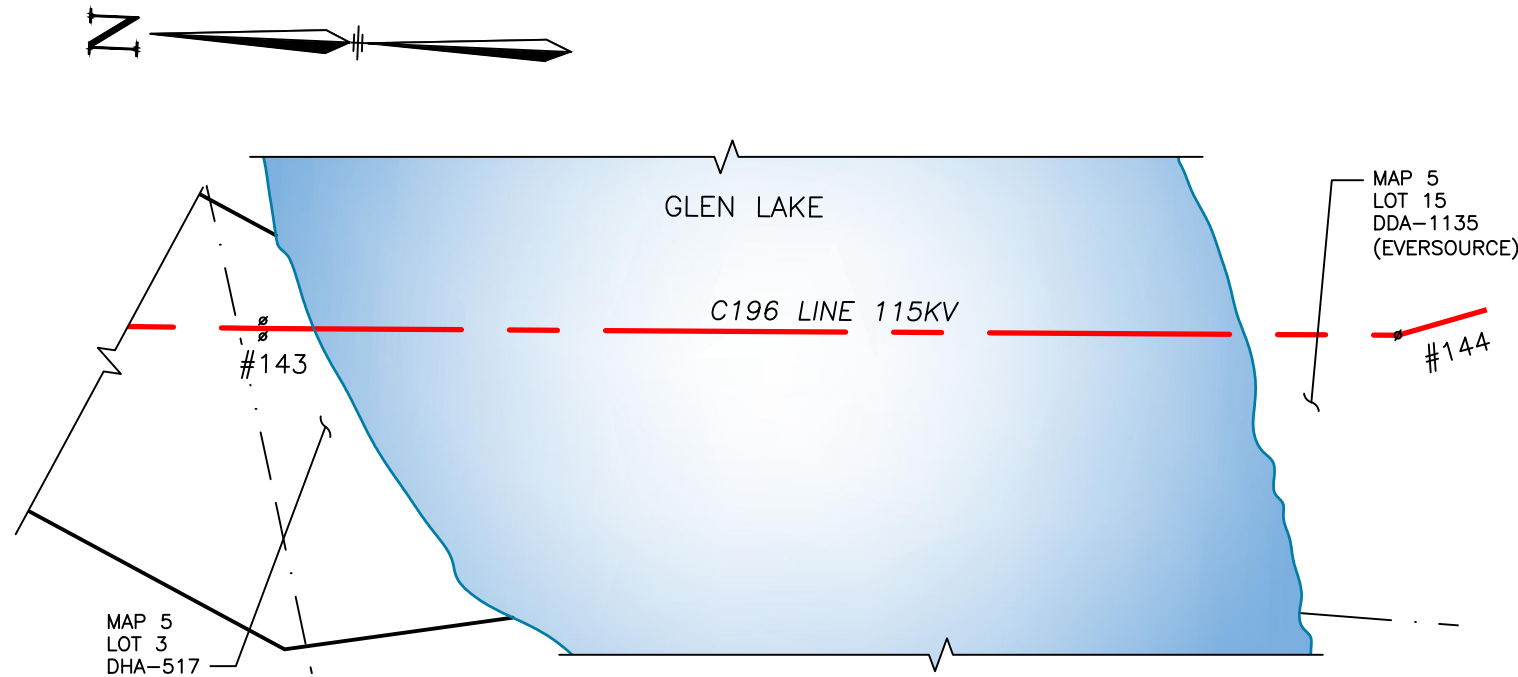
NOTES:

1. PARCEL INFORMATION PROVIDED BY NH GRANIT.
2. ELEVATIONS REFERENCED TO THE NORTH AMERICAN VERTICAL DATUM OF 1988.
3. 100 YEAR FLOOD ELEVATION FROM THE FEMA FLOOD MAP SERVICE CENTER, NATIONAL FLOOD HAZARD LAYER FIRMETTE, 05/17/2022.



		T	1
		DRAWN	GBS
C196, 115kV LINE GLEN LAKE, PUBLIC WATER CROSSING GOFFSTOWN, NEW HAMPSHIRE EXHIBIT 2		ENGINEER	CJN
		CHECKED	CJN
SCALE AS SHOWN FILE: 04018-81001.DWG IMAGE:		APPROVED	CJN
		DATE	05/17/22
DRAWING NO. 04018-81001			

DWG REV	ISSUED TO NHDOE	EPN/DESCRIPTION	CONT/PE#	DATE	DRN	CHKD	APPR
1				07/22	GBS	CJN	CJN



PLAN VIEW

SCALE: 1" = 200'

LEGEND:

- #143 STRUCTURE
- PROPERTY BOUNDARY
- C196 LINE 115KV LINE, CL OF CONSTRUCTION
- LIMITS OF EVERSOURCE RIGHT OF WAY
- WATERBODY

STRUCTURE LOCATION		
STRUCTURE	LONGITUDE	LATITUDE
143	-71.57092834	43.01901333
144	-71.57076957	43.01577197

NESC VERTICAL CLEARANCE (FT) FROM TABLE 232.1, C2-2012	
NATURE OF SURFACE UNDERNEATH WIRES, CONDUCTORS OR CABLES	115kV
WATER AREAS SUITABLE FOR SAIL BOATING INCLUDING LAKES, PONDS, RESERVOIRS, TIDAL WATERS, RIVERS, STREAMS, AND CANALS WITH AN UNUPSTRUCTED SURFACE AREA OF OVER 20 TO 200 ACRES	30.1

CABLE SCHEDULE						
WIRE	QTY OF CABLES	DESCRIPTION	DESIGN CONDITIONS			
			MAX DESIGN TENSION (lb)	TEMP (°F)	ICE (in)	WIND (psf)
CONDUCTOR	3	ACSS, 1272 kcmil 54/19, PHESANT	12000	0	0.5	4
STATIC	1	19 No. 10 AW	6100	0	0.5	4
OPGW	1	96F Ø0.646 AFL S3-81/60/646	6000	0	0.5	4

NOTES:

1. PARCEL INFORMATION PROVIDED BY NH GRANIT.
2. ELEVATIONS REFERENCED TO THE NORTH AMERICAN VERTICAL DATUM OF 1988.
3. 100 YEAR FLOOD ELEVATION FROM THE FEMA FLOOD MAP SERVICE CENTER, NATIONAL FLOOD HAZARD LAYER FIRMETTE, 05/17/2022.



1	ISSUED TO NHDOE	07/22	GBS	CJN	CJN	
DWG REV	EPN/DESCRIPTION	CONT/PE#	DATE	DRN	CHKD	APPR

<p>EVERSOURCE ENERGY</p> <p>C196, 115kV LINE GLEN LAKE, PUBLIC WATER CROSSING GOFFSTOWN, NEW HAMPSHIRE EXHIBIT 3</p>	T 1
	DRAWN GBS
	ENGINEER CJN
	CHECKED CJN
	APPROVED CJN
DATE 05/17/22	DRAWING NO. 04018-81001
SCALE 1:200	FILE: 04018-81001.DWG IMAGE: