

LEGEND:

- T155 LINE - - -
- T155 STR #-#
- SUBSTATION ▲

LOCATION PLAN

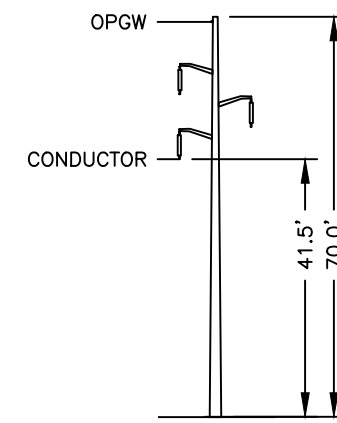
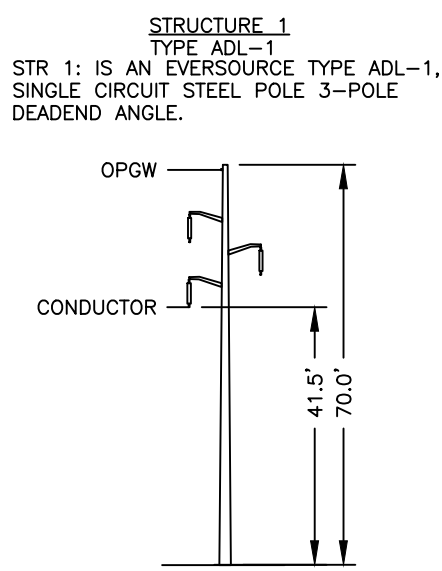
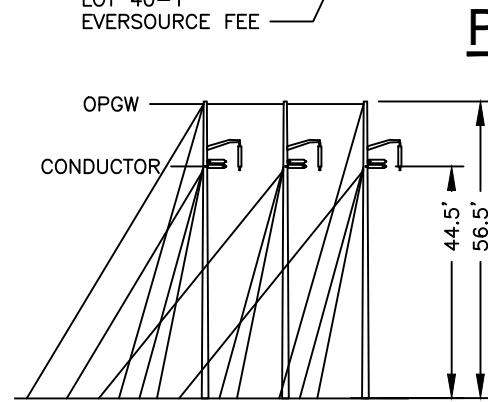
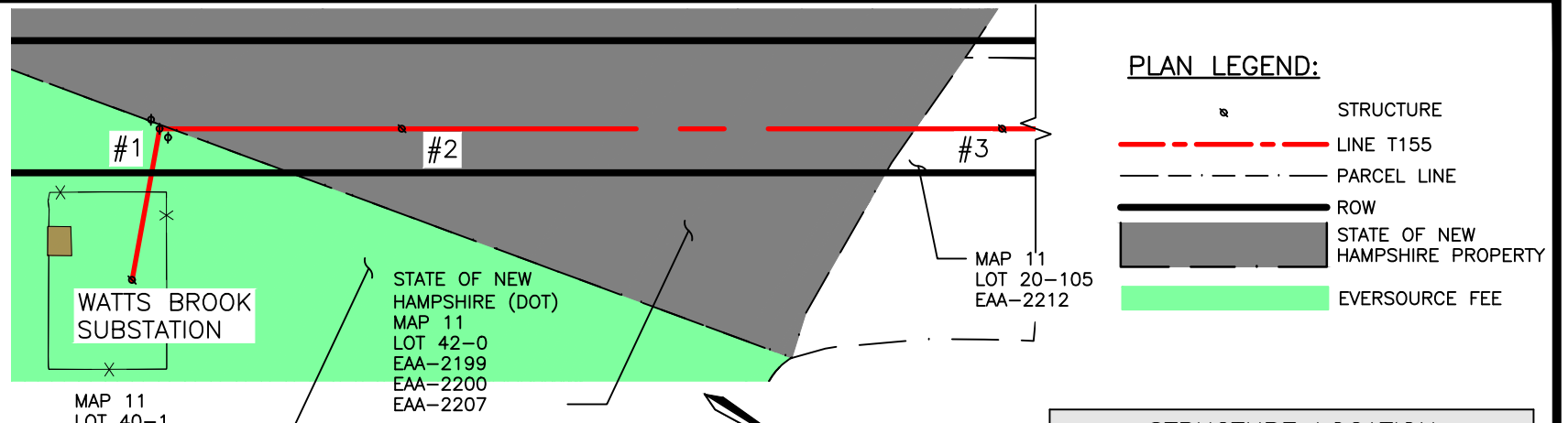
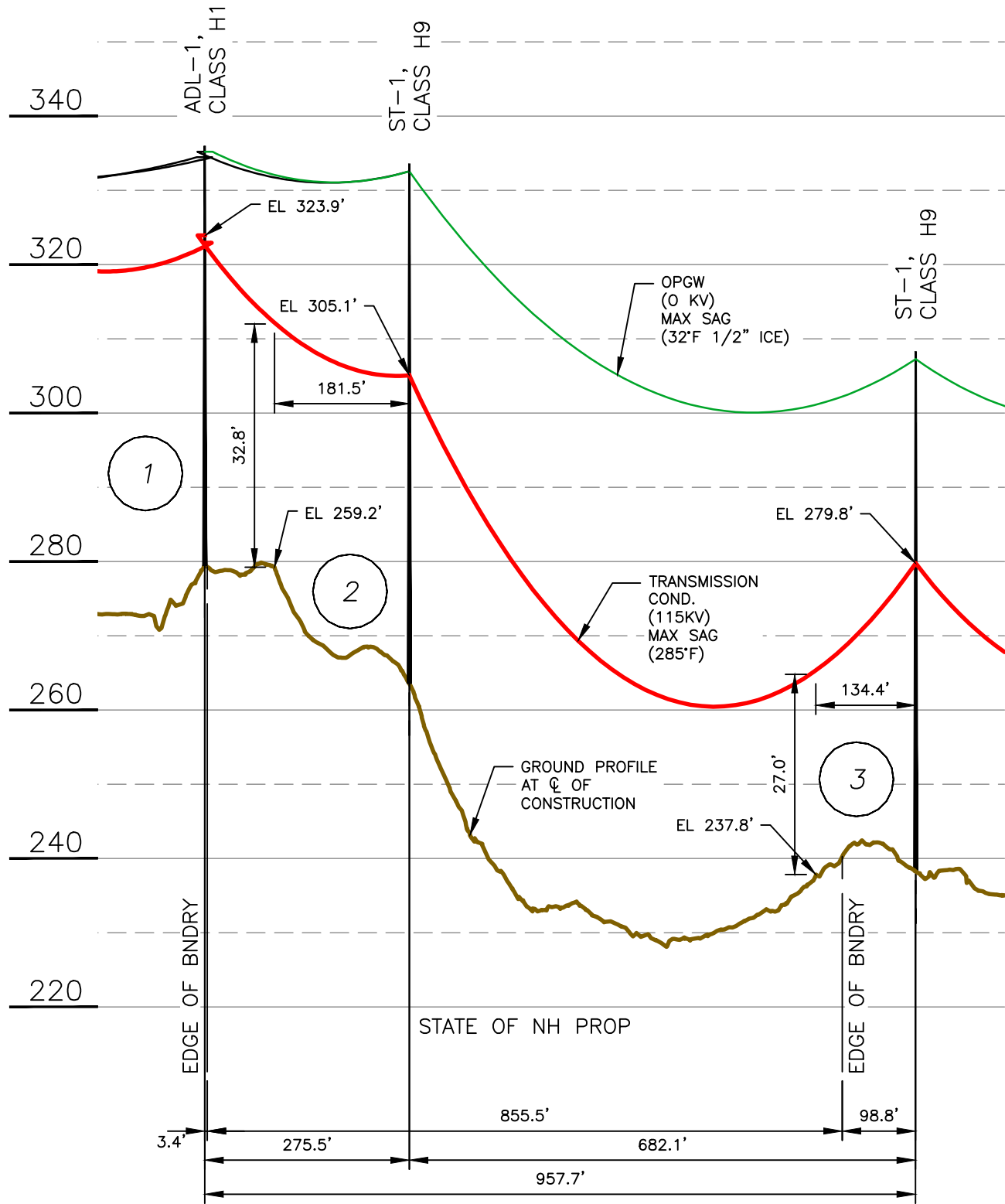


LINE T155 115KV LINE
 STATE LAND AND PUBLIC WATERBODY CROSSING
 LONDONDERRY, LITCHFIELD AND MANCHESTER, NH
 EXHIBIT #1

T	0
DRAWN GEB	
ENGINEER JVB	
CHECKED DWW	
APPROVED APS	
DATE 06/07/22	

0	SUBMIT TO DOE	LEIDOS	06/07/22	GEB	DWW	APS
DWG REV	EPN/DESCRIPTION	CONT/PE#	DATE	DRN	CHKD	APPR

SCALE NTS	FILE: T15543901.DWG IMAGE:	DRAWING NO. T15543901
--------------	-------------------------------	--------------------------



NESC VERTICAL CLEARANCE (FT)

NATURE OF SURFACE UNDERNEATH WIRES, CONDUCTORS OR CABLES	115KV
OTHER AREAS TRAVERSED BY VEHICLES, SUCH AS CULTIVATED, GRAZING, FOREST, AND ORCHARD LANDS, INDUSTRIAL SITES, COMMERCIAL SITES, ECT.	20.1

CABLE SCHEDULE

WIRE	QTY OF CABLES	DESCRIPTION	DESIGN CONDITIONS			
			MAX DESIGN TENSION (LB)	TEMP (°F)	ICE (IN)	WIND (PSF)
OPGW	1	48 FIBER OPGW	5,500	0	0.5	4
TRANSMISSION COND.	3	1272 KCMIL ACSR 45/7 BITTERN	10,000	0	0.5	4

- NOTES:**
- GROUND ELEVATION PROFILE DETERMINED USING INFORMATION FROM LIDAR SURVEY.
 - VERTICAL DATUM IS NAVD88 IN FEET.
 - ONLY LOWEST CONDUCTOR SHOWN FOR CLARITY.
 - PARCEL INFORMATION PROVIDED BY NH GRANIT.

STRUCTURE DETAIL
SCALE: NTS

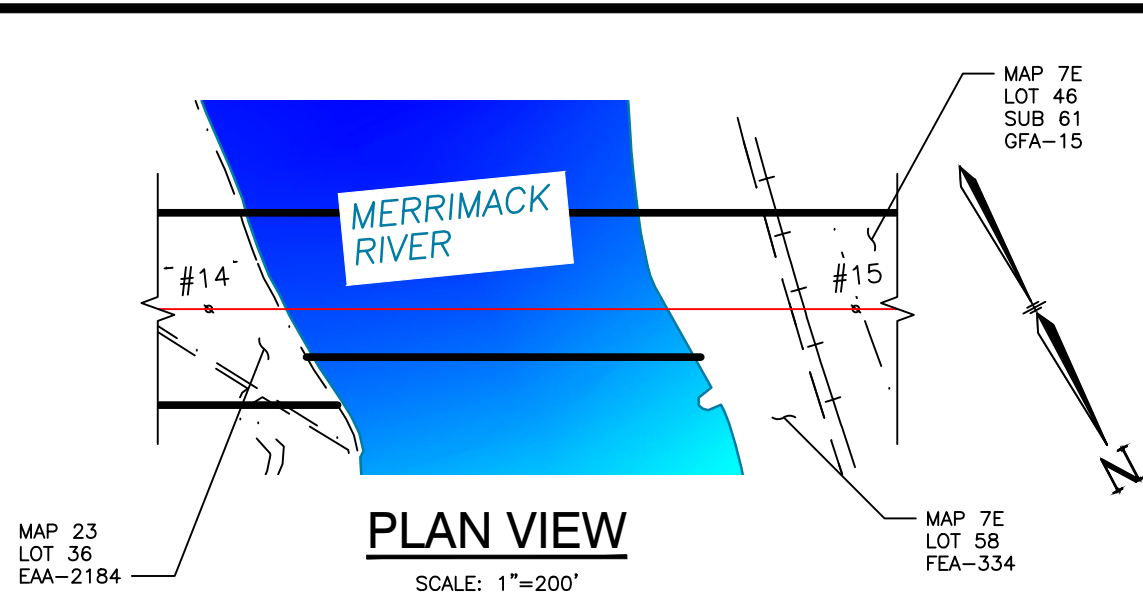
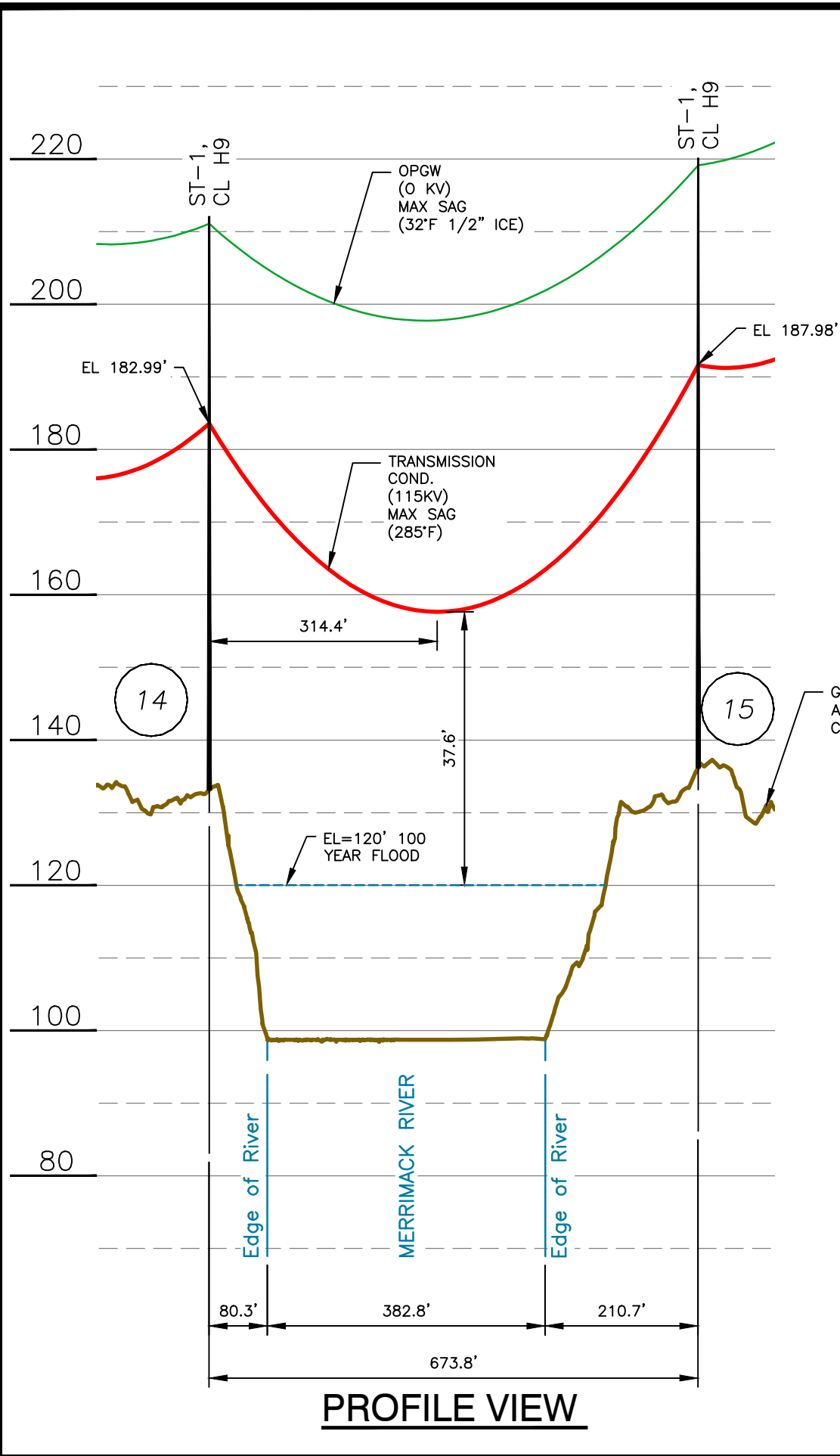
DWG REV	EPN/DESCRIPTION	CONT/PE#	DATE	DRN	CHKD	APPR
0	SUBMIT TO DOE	LEIDOS	06/07/22	GEB	DWW	APS

EVERSOURCE ENERGY

LINE T155 115KV LINE
STATE LAND CROSSING
LONDONDERRY, NH
EXHIBIT #2

T	0
DRAWN	GEB
ENGINEER	JVB
CHECKED	DWW
APPROVED	APS
DATE	06/07/22

SCALE AS SHOWN
FILE: T15543902.DWG
DRAWING NO. T15543902



PLAN LEGEND:

- STRUCTURE
- LINE T155
- PARCEL LINE
- ROW
- RAILROAD
- PUBLIC WATERBODY

STRUCTURE LOCATION

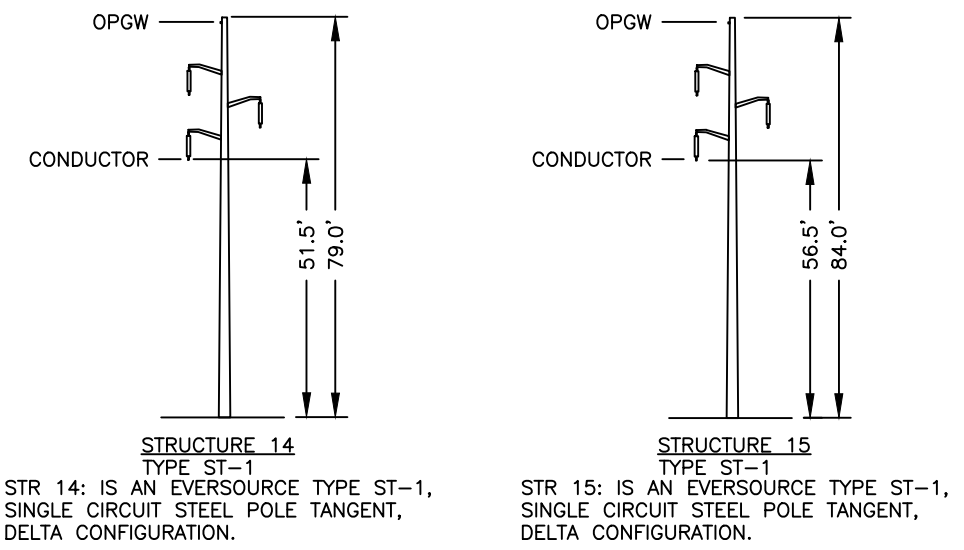
STRUCTURE	LONGITUDE	LATITUDE
14	-71.45264718	42.90337022
15	-71.45486722	42.90423869

NESC VERTICAL CLEARANCE (FT)

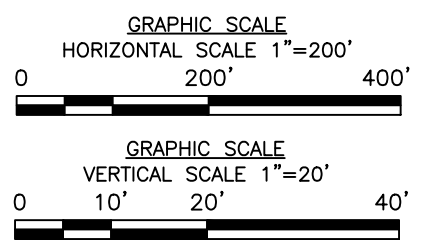
NATURE OF SURFACE UNDERNEATH WIRES, CONDUCTORS OR CABLES	115kV
WATER AREAS SUITABLE FOR SAILBOATING INCLUDING LAKES, PONDS, RESERVOIRS, TIDAL WATERS, RIVERS, STREAMS, AND CANALS WITH AN UNOBSTRUCTED SURFACE AREA OF 20 TO 200 ACRES	30.1

CABLE SCHEDULE

WIRE	QTY OF CABLES	DESCRIPTION	DESIGN CONDITIONS			
			MAX DESIGN TENSION (LB)	TEMP (°F)	ICE (IN)	WIND (PSF)
OPGW	1	48 FIBER OPGW	5,500	0	0.5	4
TRANSMISSION COND.	3	1272 KCMIL ACSR 45/7 BITTERN	10,000	0	0.5	4



- NOTES:**
- GROUND ELEVATION PROFILE DETERMINED USING INFORMATION FROM LIDAR SURVEY.
 - VERTICAL DATUM IS NAVD88 IN FEET.
 - ONLY LOWEST CONDUCTOR SHOWN FOR CLARITY.
 - THE 100 YEAR FLOOD ELEVATION FROM THE FEMA FLOOD MAP SERVICE CENTER NATIONAL FLOOD HAZARD LAYER FIRMETTE, 5/23/2006.
 - PARCEL INFORMATION PROVIDED BY NH GRANIT.



STRUCTURE DETAIL
SCALE: NTS

0	SUBMIT TO DOE	LEIDOS	06/07/22	GEB	DWW	APS
DWG REV	EPN/DESCRIPTION	CONT/PE#	DATE	DRN	CHKD	APPR

EVERSOURCE ENERGY

LINE T155 115kV LINE
MERRIMACK RIVER WATERBODY CROSSING
LITCHFIELD AND MERRIMACK, NH
EXHIBIT #3

SCALE: AS SHOWN
FILE: T15543903.DWG
DRAWING NO. T15543903

T	0
DRAWN	GEB
ENGINEER	JVB
CHECKED	DWW
APPROVED	APS
DATE	06/07/22