

LEGEND:

- A126 LINE: - - - - -
- A126 STR: 202

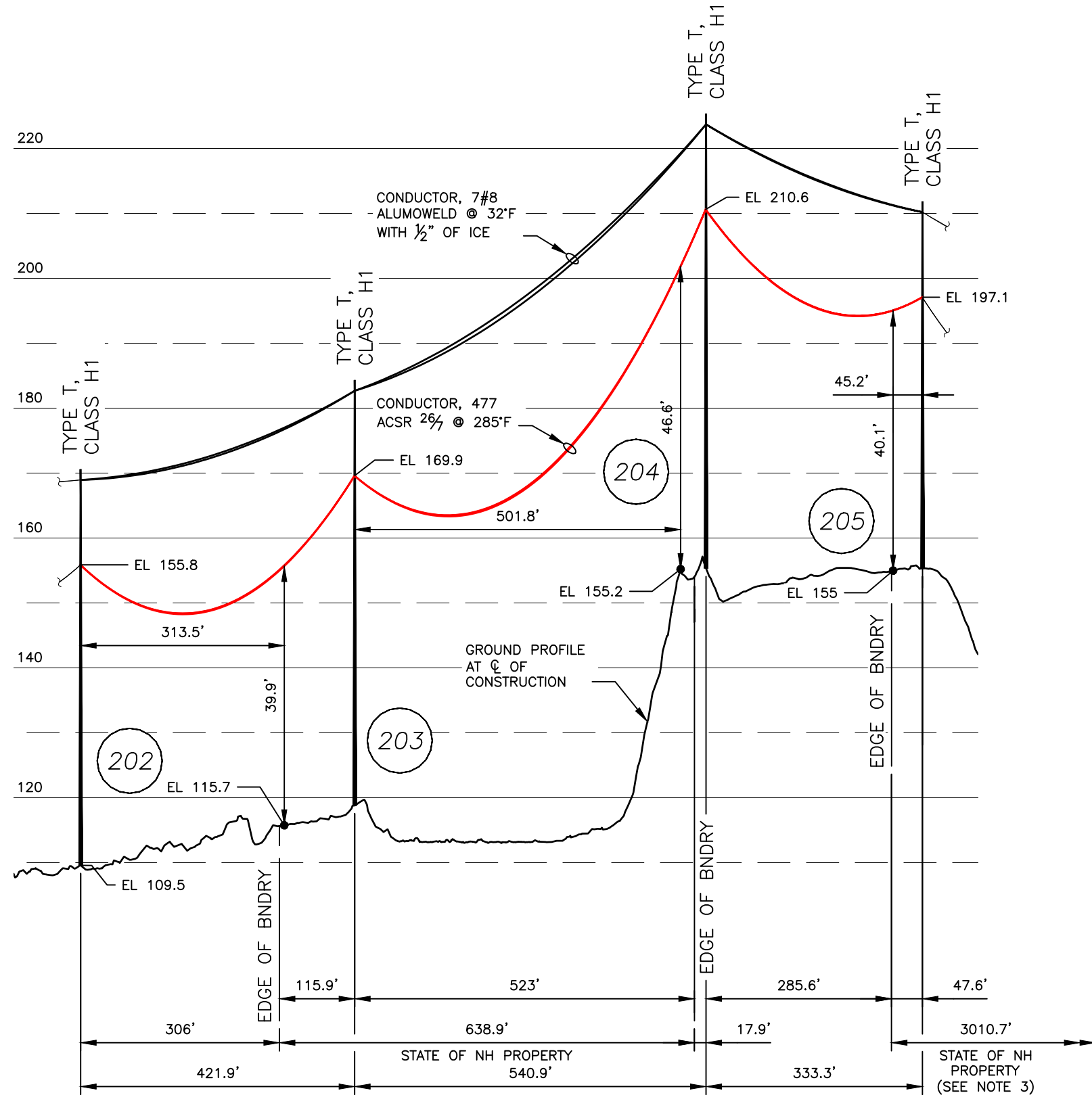
DWG REV	EPN/DESCRIPTION	CONT/PE#	DATE	DRN	CHKD	APPR
1	SUBMITTED TO STATE DOE		02/22	GBS	CJN	DSD



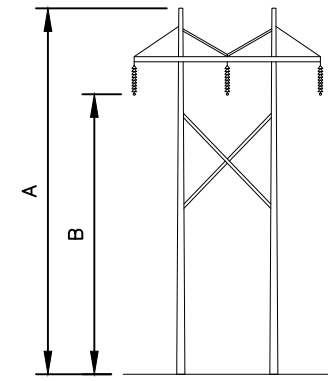
A126, 115kV LINE
STATE OWNED LAND CROSSING, LOCATION PLAN
BRENTWOOD, NEW HAMPSHIRE
EXHIBIT 1

T	1
DRAWN GBS	
ENGINEER CJN	
CHECKED CJN	
APPROVED DSD	
DATE 01/11/22	

SCALE 1" = 1500'	FILE: A12643502.DWG	DRAWING NO. A12643502
IMAGE:		



PROFILE VIEW
 SCALE: HORZ 1" = 200'
 VERT 1" = 20'



EVERSOURCE TYPE T, SINGLE CIRCUIT
 STEEL POLE TANGENT, H-FRAME

STRUCTURE DETAIL
 SCALE: NTS

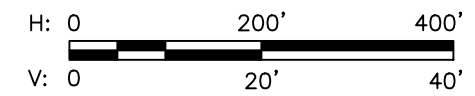
DIMENSION TABLE		
STRUCTURE	A (ft)	B (ft)
202	61	46.3
203	65.5	50.8
204	70	55.3
205	56.5	41.8

NOTES:

1. PARCEL INFORMATION PROVIDED BY NH GRANIT.
2. ELEVATIONS REFERENCED TO THE NORTH AMERICAN VERTICAL DATUM OF 1988.
3. THE STATE LAND CROSSINGS FROM STRUCTURE 204 TO 212 (STATE LAND PARCELS MAP 203, BLOCK 8 AND MAP 203, BLOCK 36) IS LICENSED UNDER LICENSE NUMBER CR 2021-010. THIS DRAWING ACCOUNTS FOR A CHANGE TO STRUCTURE 204 AS BEING REPLACED FROM TYPE A, CLASS 2 WOOD TO TYPE T, CLASS H1 STEEL.

NESC VERTICAL CLEARANCE (FT) FROM TABLE 232.1	
NATURE OF SURFACE UNDERNEATH WIRES, CONDUCTORS OR CABLES	115kV
OTHER AREAS TRAVERSED BY VEHICLES, SUCH AS CULTIVATED, GRAZING, FOREST, AND ORCHARD LANDS, INDUSTRIAL SITES, COMMERCIAL SITES, ETC	20.1

CABLE SCHEDULE						
WIRE	QTY OF CABLES	DESCRIPTION	DESIGN CONDITIONS			
			MAX DESIGN TENSION (lb)	TEMP (°F)	ICE (in)	WIND (psf)
CONDUCTOR	3	ACSR, 477 kcmil 26/7, HAWK	4700	0	0.5	4
STATIC	2	7#8 ALUMOWELD	3500	0	0.5	4



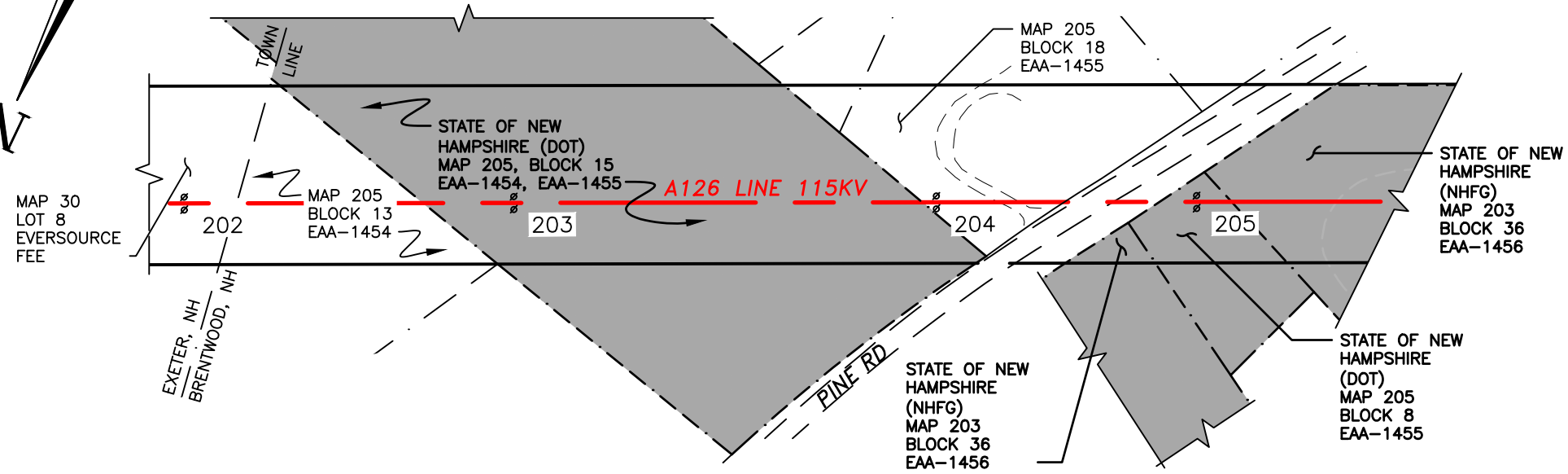
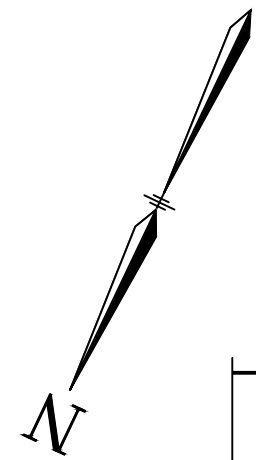
EVERSOURCE ENERGY

A126, 115kV LINE
 STATE OWNED LAND CROSSING
 BRENTWOOD, NEW HAMPSHIRE
 EXHIBIT 2

T	1
DRAWN	GBS
ENGINEER	CJN
CHECKED	CJN
APPROVED	DSD
DATE	01/11/22

SCALE: AS SHOWN
 FILE: A12643502.DWG
 DRAWING NO.: A12643502

DWG REV	EPN/DESCRIPTION	CONT/PE#	DATE	DRN	CHKD	APPR
1	SUBMITTED TO DOE		02/22	GBS	CJN	DSD



PLAN VIEW
SCALE: 1" = 200'

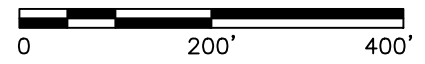
LEGEND:

- STRUCTURE 203
- STATE OF NEW HAMPSHIRE PROPERTY
- PROPERTY BOUNDARY
- A126 LINE 115KV LINE, C OF CONSTRUCTION
- LIMITS OF EVERSOURCE RIGHT OF WAY

NOTES:

1. PARCEL INFORMATION PROVIDED BY NH GRANIT.
2. THE STATE LAND CROSSINGS FROM STRUCTURE 204 TO 212 (STATE LAND PARCELS MAP 203, BLOCK 8 AND MAP 203, BLOCK 36) IS LICENSED UNDER LICENSE NUMBER CR 2021-010. THIS DRAWING ACCOUNTS FOR A CHANGE TO STRUCTURE 204 AS BEING REPLACED FROM TYPE A, CLASS 2 WOOD TO TYPE T, CLASS H1 STEEL.

STRUCTURE LOCATION		
STRUCTURE	LONGITUDE	LATITUDE
202	-71.00794993	43.00860042
203	-71.00937808	43.00810926
204	-71.01120903	43.00747953
205	-71.01233712	43.00709153



DWG REV	EPN/DESCRIPTION	CONT/PE#	DATE	DRN	CHKD	APPR
1	SUBMITTED TO DOE		02/22	GBS	CJN	DSD

EVERSOURCE
ENERGY

T	1
DRAWN	GBS
ENGINEER	CJN
CHECKED	CJN
APPROVED	DSD
DATE	01/11/22

A126, 115kV LINE
STATE OWNED LAND CROSSING
BRENTWOOD, NEW HAMPSHIRE
EXHIBIT 3

SCALE
AS SHOWN

FILE: A12643502.DWG
IMAGE:

DRAWING NO.
A12643502