

# LEGEND

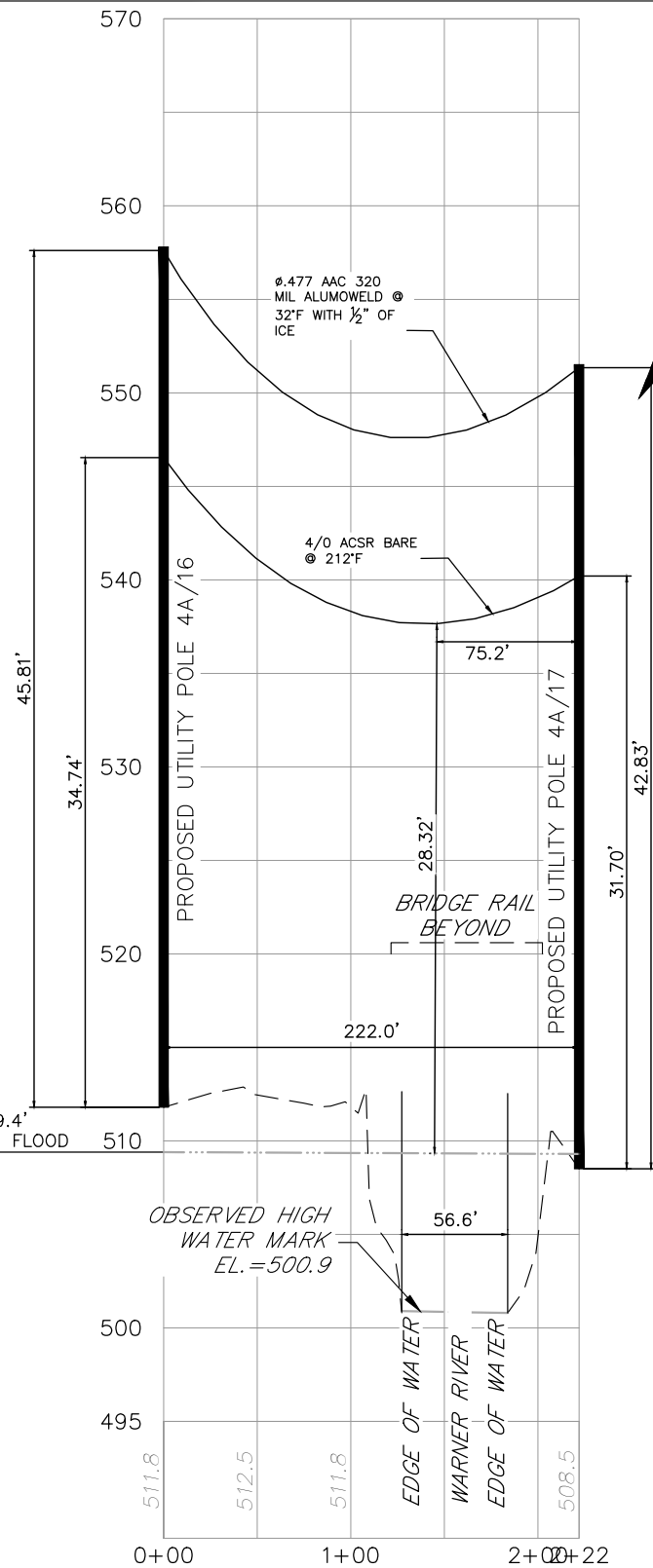
3410/317 LINE:

3410/317 STRUCTURE:

		T	2
		DRAWN CC	ENGINEER CC
3410/317, 19.9/34.5 kV LINE WARNER RIVER, PUBLIC WATER CROSSING WARNER & SUTTON, NEW HAMPSHIRE EXHIBIT 1		CHECKED NG	APPROVED NG
		DATE 6/2/2021	
		DRAWING NO. 034144901	
SCALE 1" = 1500'	FILE: 96005-00 PROFILES.DWG		
DWG REV	EPN/DESCRIPTION	CONT/PE#	DATE

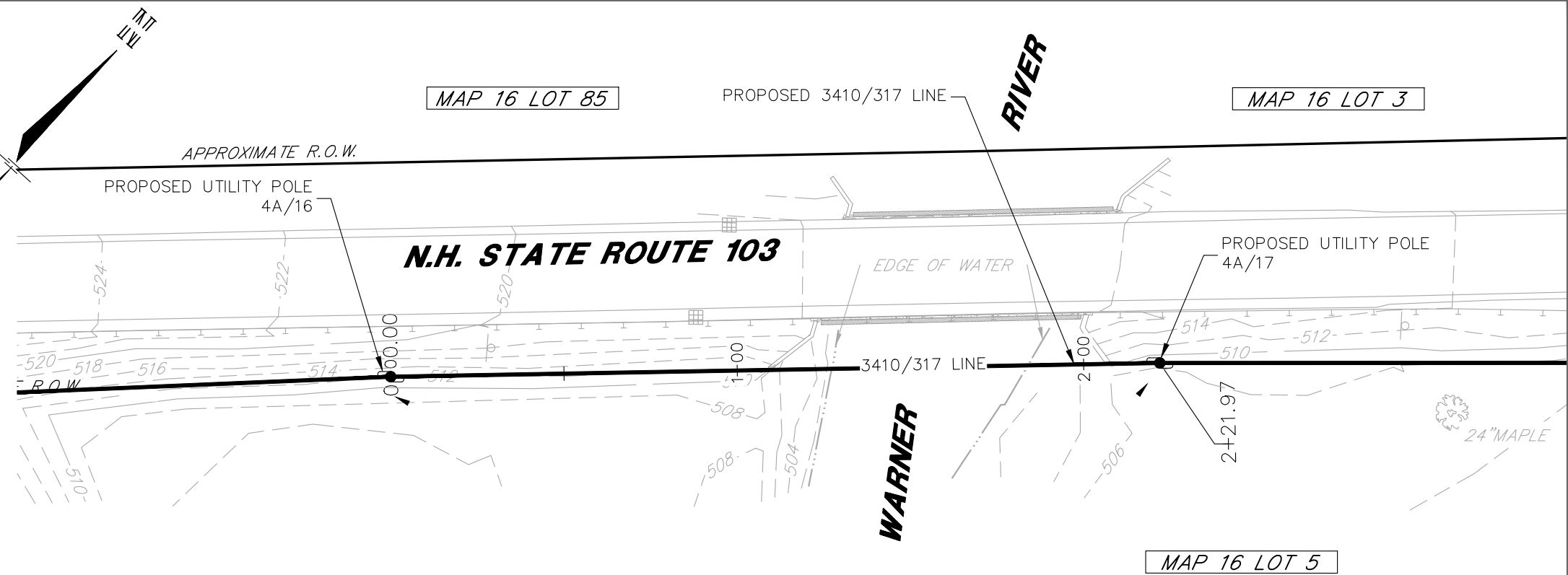
2	REVISED PER CLIENT COMMENTS	-	12/17/21	CC	NG	NG
1	ISSUE TO PUC	-	6/2/21	CC	NG	NG

12/17/2021 11:24 AM - cchiaromonte - C:\Users\cchiaromonte\appdata\local\temp\AcPublish\_10868\96005-00\_PROFILES.dwg - SOUTH-WATER CROSSING 1(2)2016( 2)



**PROFILE VIEW**

SCALE: HORZ 1" = 100'  
VERT 1" = 10'



**PLAN VIEW**

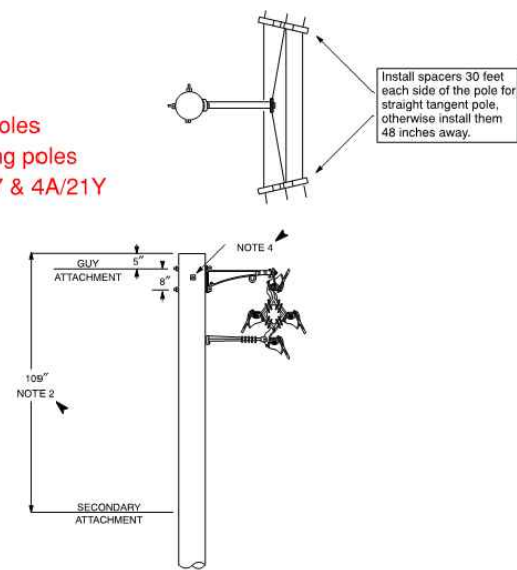
SCALE: 1" = 40'

STRUCTURE LOCATION		
STRUCTURE	LONGITUDE	LATITUDE
4A/16	-71.88830300	43.28670800
4A/17	-71.88769500	43.28712500

NESC VERTICAL CLEARANCE (FT)		FROM
TABLE 232.1, C2-2012		
NATURE OF SURFACE UNDERNEATH WIRES, CONDUCTORS OR CABLES	19.9/34.5kV	
WATER AREAS NOT SUITABLE FOR SAIL BOATING OR WHERE SAIL BOATING IS PROHIBITED		17.0

CABLE SCHEDULE						
WIRE	QTY OF CABLES	DESCRIPTION	DESIGN CONDITIONS			
			MAX DESIGN TENSION (lb)	TEMP (°F)	ICE (in)	WIND (psf)
CONDUCTOR	1	4/0 ACSR BARE 2000 LB	2000	0	0.5	4
CONDUCTOR	3	477 AAC 320 MIL (With Spacer Cable Attached)	8000	0	0.5	4

All tangent poles  
River crossing poles  
4A/16, 4A/17 & 4A/21Y



**STRUCTURE DETAIL**

SCALE: NTS

**NOTES**

1. MINIMUM AND MAXIMUM SAG CALCULATIONS PROVIDED BY EVERSOURCE ENERGY
2. PARCEL INFORMATION PROVIDED BY FIELD SURVEY CONDUCTED BY TFMORAN, INC ON 1/26/21.
3. ELEVATIONS REFERENCED TO THE NORTH AMERICAN VERTICAL DATUM OF 1988.
4. 100 YEAR FLOOD ELEVATION FROM THE FEMA FLOOD MAP SERVICE CENTER, NATIONAL FLOOD HAZARD LAYER FIRMETTE, 02/02/2021

DWG REV	EPN/DESCRIPTION	CONT/PE#	DATE	DRN	CHKD	APPR
2	REVISED PER CLIENT COMMENTS		12/17/21	CC	NG	NG
1	ISSUE TO PUC		6/2/21	CC	NG	NG

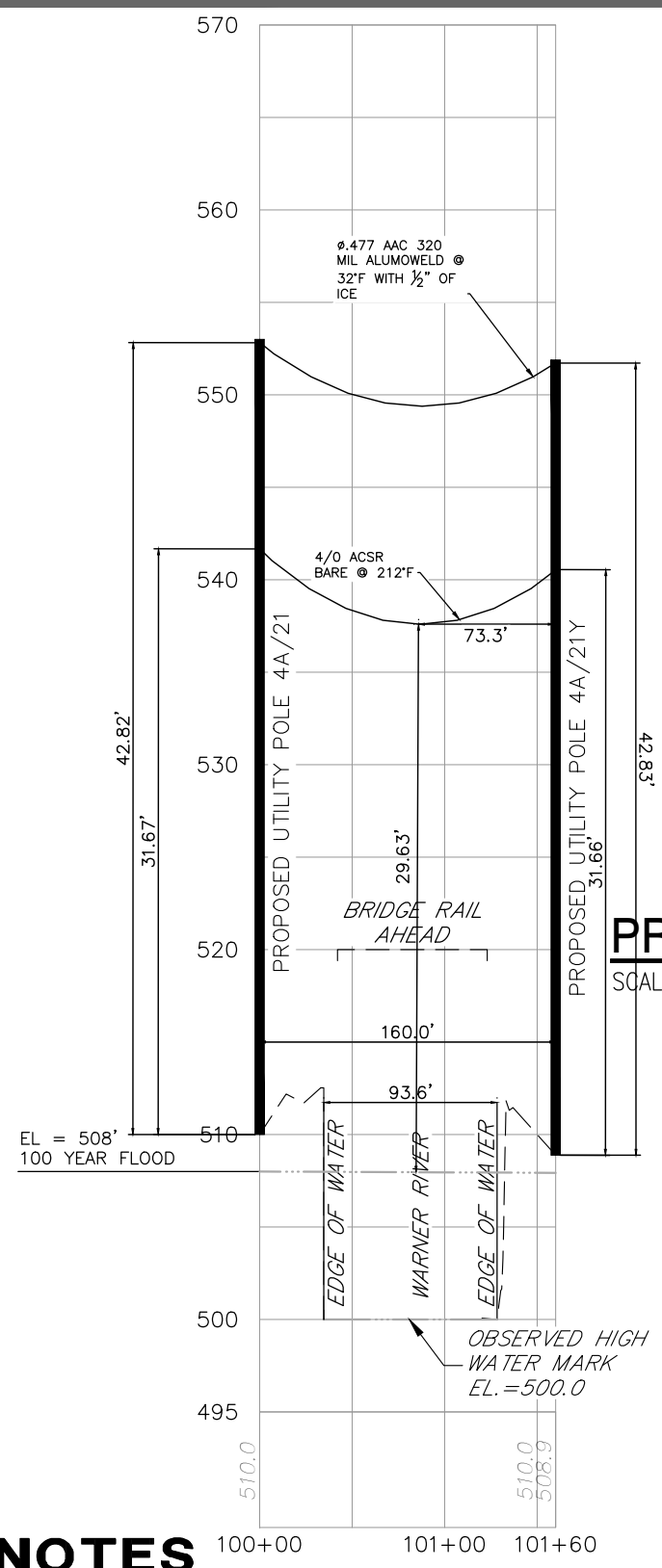
**EVERSOURCE ENERGY**

3410/317, 19.9/34.5 kV LINE  
WARNER RIVER, PUBLIC WATER CROSSING  
WARNER & SUTTON, NEW HAMPSHIRE  
EXHIBIT 2

SCALE AS SHOWN	FILE: 96005-00_PROFILES.DWG IMAGE:	DRAWING NO. <b>034144902</b>
-------------------	---------------------------------------	---------------------------------

T	6
DRAWN JT	ENGINEER CC
CHECKED NG	APPROVED NG
DATE 6/2/2021	

12/17/2021 11:24 AM - cchiaramonte - C:\Users\cchiaramonte\appdata\local\temp\AcPublish\_10868\96005-00\_PROFILES.dwg - NORTH-WATER\_CROSSING 1(2/24/06) 3)

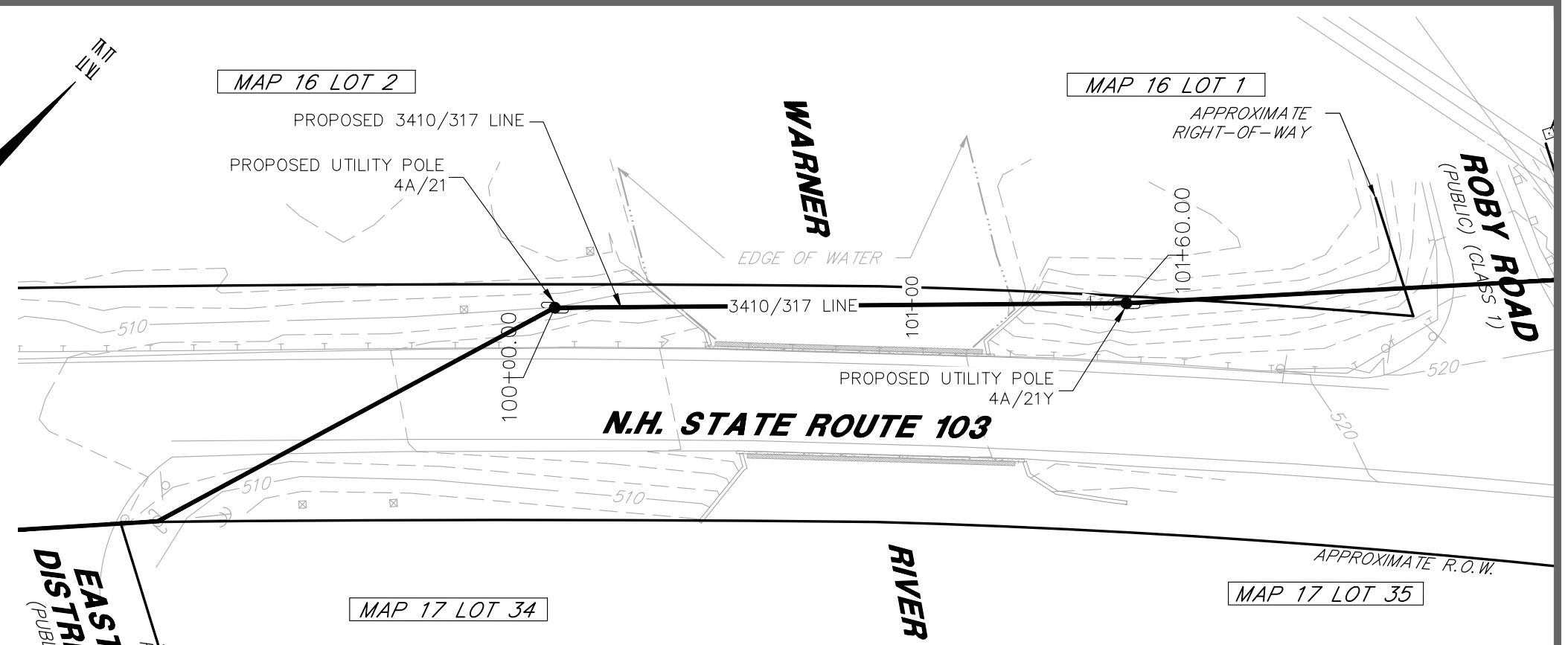


**PROFILE VIEW**  
SCALE: HORIZ 1" = 100'  
VERT 1" = 10'

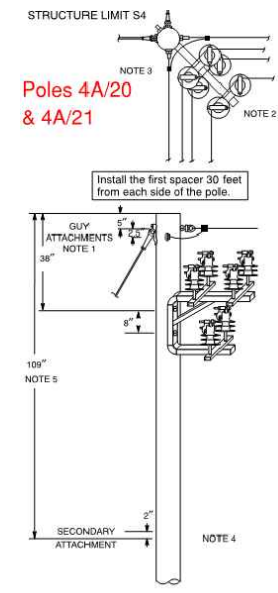
STRUCTURE LOCATION		
STRUCTURE	LONGITUDE	LATITUDE
4A/21	-71.88608100	43.28844300
4A/21Y	-71.88563900	43.28874000

NESC VERTICAL CLEARANCE (FT)		FROM
TABLE 232.1, C2-2012		
NATURE OF SURFACE UNDERNEATH WIRES, CONDUCTORS OR CABLES	19.9/34.5kV	
WATER AREAS NOT SUITABLE FOR SAIL BOATING OR WHERE SAIL BOATING IS PROHIBITED	17.0	

CABLE SCHEDULE						
WIRE	QTY OF CABLES	DESCRIPTION	DESIGN CONDITIONS			
			MAX DESIGN TENSION (lb)	TEMP (°F)	ICE (in)	WIND (psf)
CONDUCTOR	1	4/0 ACSR BARE 2000 LB	2000	0	0.5	4
CONDUCTOR	3	477 AAC 320 MIL (With Spacer Cable Attached)	8000	0	0.5	4

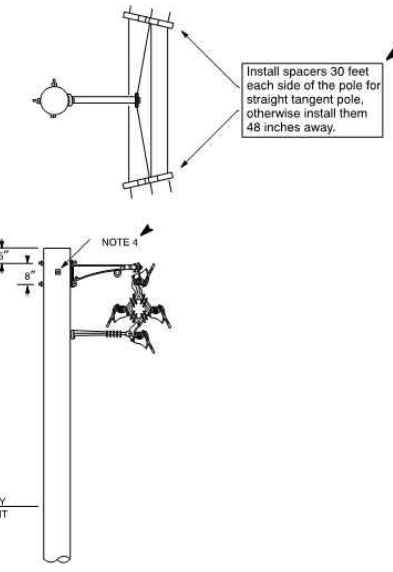


**PLAN VIEW**  
SCALE: 1" = 40'



**STRUCTURE DETAIL**  
SCALE: NTS

All tangent poles  
River crossing poles  
4A/16, 4A/17 & 4A/21Y



- NOTES**
- MINIMUM AND MAXIMUM SAG CALCULATIONS PROVIDED BY EVERSOURCE ENERGY
  - PARCEL INFORMATION PROVIDED BY FIELD SURVEY CONDUCTED BY TFMORAN, INC ON 1/26/21.
  - ELEVATIONS REFERENCED TO THE NORTH AMERICAN VERTICAL DATUM OF 1988.
  - 100 YEAR FLOOD ELEVATION FROM THE FEMA FLOOD MAP SERVICE CENTER, NATIONAL FLOOD HAZARD LAYER FIRMETTE, 02/02/2021

DWG REV	EPN/DESCRIPTION	CONT/PE#	DATE	DRN	CHKD	APPR
2	REVISED PER CLIENT COMMENTS		12/17/21	CC	NG	NG
1	ISSUE TO PUC		6/2/21	CC	NG	NG

**EVERSOURCE ENERGY**

3410/317, 19.9/34.5 kV LINE  
WARNER RIVER, PUBLIC WATER CROSSING  
WARNER & SUTTON, NEW HAMPSHIRE  
EXHIBIT 3

SCALE AS SHOWN	FILE: 96005-00_PROFILES.DWG	DRAWING NO. 034144903
----------------	-----------------------------	-----------------------

T	6
DRAWN	JT
ENGINEER	CC
CHECKED	NG
APPROVED	NG
DATE	6/2/2021